



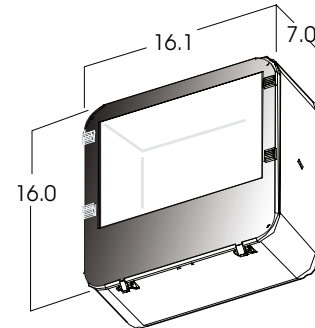
HEAVY METAL-LUMEN MAX INDUCTION AREA LIGHT

35 / 55 / 85 / 100 / 120 WATTS

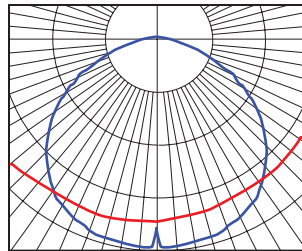


PRODUCT INFORMATION:

- Spectrum Lighting Lighting Heavy Metal Industrial series fixture for area lighting.
- Die-Cast aluminum housing, with hinged front frame.
- 1/2" Coin plugs with O-rings, for photo cell or conduit.
- Ultra-Long Life.
- Crisp White Light 80+ CRI..
- No Color Shift.
- Instant (Re)start.
- Operates in hot and cold environments.
- Wet Location listed.
- Manufactured and tested to UL standard No. 1598.



HMI1616DU AREA LIGHT



HMI1616DU 85
85 WATT

MOUNTING COMPONENTS



MODEL	WATT	KELVIN	GENERATOR	OPTIONS	MOUNTING	FINISH
HMI1616DU- 16"X 16" Induction Area Fixture	35 55 85 100 120	5K -5000° Kelvin	Specify Voltage for Generator. G1 -Generator, 120v G2 -Generator, 277v	FS -Fuse holder and fuse PC1 -Photo cell 120 v PC2 -Photo cell 208- 277 v	TBK -Trunion Bracket PF3 -Pole Fitter 3" AJFM -Straight Mount Adjustable EX6 -6" Extender Arm EX10 -10" Extender Arm EX12 -12" Extender Arm	BZ -Bronze
HMI1616DU	120	5K	G1	FS	PF3	BZ

Dimensions shown are nominal. Spectrum Lighting is continually improving products and reserves the right to make changes that will not alter performance or appearance with or without written notice.



PROJECT:	TYPE:
CAT. NO.:	

