



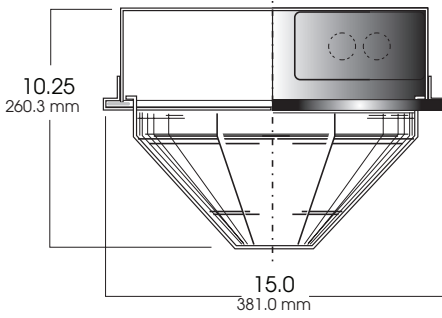
INFINIUM™ LED
HEAVY METAL SERIES
 21 / 42 / 63 WATTS

HMI-LED
LUMEN MAX
SERIES

PRODUCT INFORMATION:

- Spectrum Lighting heavymetal industrial series canopy light for area lighting.
- Powerful LED assembly.
- Die-Cast aluminum housing.
- 1/2" Coin plugs with O-rings, for photo cell or conduit.
- **All LED modules and drivers are replaceable and up-gradeable.**
- 2 circuit options programmed to alternate sides of LED board.
- Ultra long LED system life.
- Instant (Re)start.
- Operates in hot and cold environments.
- Wet Location listed.
- Manufactured and tested to UL standard No. 1598.

HMI150LED CANOPY LIGHT



MODEL	LED	LUMENS	TEMPERATURE	VOLTAGE	OPTIONS	MOUNTING	FINISH
HMI150LED- 15" Round LED Canopy Fixture	21w 42w 63w	1530 3060 4590	3K -3000° Kelvin 4K -4000° Kelvin 5K -5000° Kelvin	E1 -Electronic, 120v E2 -Electronic, 277v	FS -Fuse holder and fuse EMLED -Emergency Back-up Battery DIMLED -LED Dimming Module OCC -Occupancy Sensor PHO -Photo Sensor IRS -IR Occupancy & Photo Sensor (Inside fixture) 2CIR -2 Circuit	SM -Surface Mount PM -Pendant Mount	BZ -Bronze
HMI150LED	63W		5K	E1	EMLED	SM	BZ

Dimensions shown are nominal. Spectrum Lighting is continually improving products and reserves the right to make changes that will not alter performance or appearance with or without written notice.



PROJECT:	TYPE:
CAT. NO.:	

