



# HEAVY METAL-LUMEN MAX INDUCTION CANOPY LIGHT

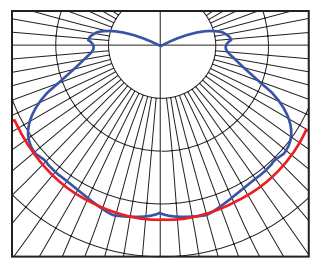
35 / 55 / 85 WATTS



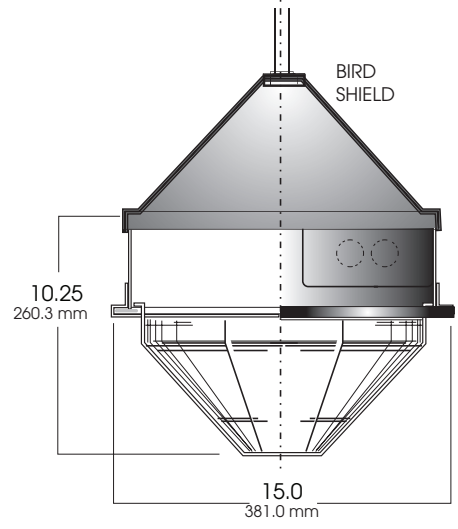
### PRODUCT INFORMATION:

- Spectrum Lighting Heavy Metal Industrial series canopy light for area lighting.
- Die-Cast aluminum housing.
- 1/2" Coin plugs with O-rings, for photo cell or conduit.
- Ultra-Long Life.
- Crisp White Light 80+ CRI.
- No Color Shift.
- Instant (Re)start.
- Operates in hot and cold environments.
- Wet Location listed.
- Manufactured and tested to UL standard No. 1598.

HMI1510DU CANOPY LIGHT



**HMI1510DU 85**  
85 WATT  
66.3% EFFICIENT



MODEL	WATT	KELVIN	GENERATOR	OPTIONS	MOUNTING	FINISH
HMI1510DU- 15" Round Induction Canopy Fixture	35 55 85	5K -5000° Kelvin	Specify Voltage for Generator. G1 -Generator, 120v G2 -Generator, 277v	FS -Fuse holder and fuse PC1 -Photo cell 120 v PC2 -Photo cell 208- 277 v BIRD -Bird Shield / Cover	SM -Surface Mount PM -Pendant Mount NM2 -1/2" Hub NM3 -3/4" Hub	BZ -Bronze
<b>HMI1510DU</b>	<b>85</b>	<b>5K</b>	<b>G1</b>	<b>BIRD</b>	<b>NM3</b>	<b>BZ</b>

Dimensions shown are nominal. Spectrum Lighting is continually improving products and reserves the right to make changes that will not alter performance or appearance with or without written notice.



PROJECT:	TYPE:
CAT. NO.:	

