



INFINIUM™ LUMEN MAX
HEAVY METAL LED
 21 / 42 WATTS LED

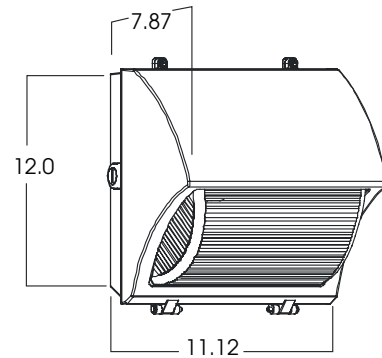
HMI-LED
LUMEN MAX
SERIES

PRODUCT INFORMATION:

- Spectrum Lighting Heavy Metal compact wall flood light.
- Die Cast aluminum housing with powder coat finish.
- 50,000 hours rated LED system life.
- All LED modules and drivers are replaceable and up-gradeable.
- Manufactured and tested to UL standard No. 1598.

HMI112LED
ARC LENS WALL LIGHT

KELVIN°	WATTAGE	LUMENS
31K°	21W	1400
	42W	2800
35K°	21W	1550
	42W	3100
41K°	21W	1610
	42W	3220
51K°	21W	1680
	42W	3360



MODEL	LED	KELVIN	VOLTAGE	OPTIONS	MOUNTING	FINISH
HMI112LED- 11"X12" Arc Lens Wall Light LED Fixture	21w 42w	31K -3100° Kelvin 35K -3500° Kelvin 41K -4000° Kelvin 51K -5000° Kelvin	E1 -Electronic, 120v E2 -Electronic, 277v	FS -Fusing OCC -Occupancy Sensor PHO -Photo Sensor URS -IR Occupancy & Photo Sensor (Inside Fixture) 2CIR -2 Circuit WL -Wet Location	WM -Wall Mount	BZ -Bronze MW -Matte White CC -Custom Color
HMI112LED	42W	51K	E1	URS	WM	BZ

Dimensions shown are nominal. Spectrum Lighting is continually improving products and reserves the right to make changes that will not alter performance or appearance with or without written notice.



PROJECT:	TYPE:
CAT. NO.:	

