



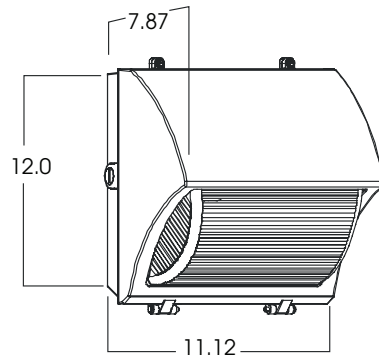
# HEAVY METAL / LUMEN MAX CFL WALL PACK 2 x 42 WATTS



## PRODUCT INFORMATION:

- Spectrum Lighting Heavy Metal industrial canopy series for area lighting.
- Frosted lens.
- Die-Cast aluminum housing.
- 1/2" Coin plugs with o-rings, for photo cell or conduit.
- Ballasts shall be integrally mounted, electronic sound rated "A", Class P, multi-volt 120v-277v.
- Operates in hot and cold environments.
- Wet location listed.
- Manufactured and tested to UL standard No. 1598.

**HMI112CF ARC LENS WALL LIGHT**



MODEL	WATTS	BALLAST	OPTIONS	MOUNTING	FINISH
HMI112CF- 11"X12" Arc Lens Wall Compact Fluorescent	(1 or 2) <b>13</b> (1 or 2) <b>18</b> (1 or 2) <b>26</b> (1 or 2) <b>32</b> (1 or 2) <b>42</b>	<b>EX</b> -Electronic, multi-volt 120v thru 277v	<b>FS</b> -Fuse holder and fuse <b>EM</b> -Emergency Back-up Battery <b>OCC</b> -Occupancy Sensor <b>PHO</b> -Photo Sensor <b>URS</b> -IR Occupancy & Photo Sensor (inside fixture) <b>2CIR</b> -2 Circuit	<b>WM</b> -Wall Mount	<b>BZ</b> -Bronze
<b>HMI112CF</b>	<b>242</b>	<b>E1</b>	<b>EM</b>	<b>WM</b>	<b>BZ</b>

Dimensions shown are nominal. Spectrum Lighting is continually improving products and reserves the right to make changes that will not alter performance or appearance with or without written notice.



<b>PROJECT:</b>	<b>TYPE:</b>
<b>CAT. NO.:</b>	

