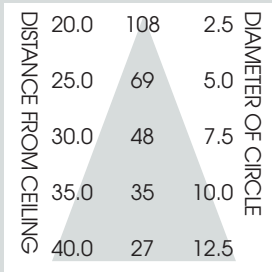


LUMEN MAX AISLE PRO 450 WATT MAX

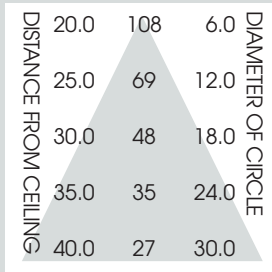


PRODUCT INFORMATION:

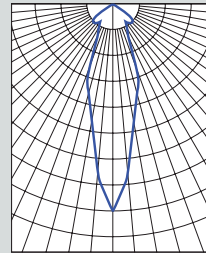
- The *Aisle Pro* Series Aisle light is a solution for high ceiling warehouses where maximum foot candles and minimal number of fixtures are required.
- The *Aisle Pro* outperforms standard Metal Halide and T-5 Hi-Bays with its unique rectangular distribution.
- Metal Halide lamping (up to 450w) with options for dimming (35%), Bi-Level, and other energy-smart controls.
- Quartz re-strike back up is available as well as the Bodine GTD Battery pack.
- Ballasts are easily accessed from the exterior of the fixture for maintenance and installation.
- Compact size and rugged design allow fixture to be placed close to racking where forklifts and other material handling equipment is being used.
- A variety of mounting options are available.
- Black finish is standard, colors and natural metal finishes are also available.
- Damp location rated.
- Manufactured and tested to UL standard No. 1598.



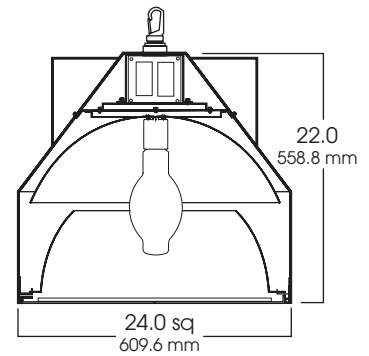
Length- Cone of Light



Width- Cone of Light



450w-Efficiency: 68.7%
Spacing: 18.0



MODEL	LAMP	WATTS	BALLAST	ELECTRICAL	MOUNTING	OPTIONS
AP2422- 24"x 22" (1 LAMP 450w MAX)	BT28 BT37	250 320 400 450	H1 -F-Can ballast, 120v H2 -F-Can ballast, 277v DMH -35% Dimming DST -Step-Down Bi- Level Dimming	QRS -Quartz Restrike FS -Fuse holder and fuse MS -Motion Sensor DS -Daylight Sensor	HM* -Hang-Straight Pendant (3/8 IPS) PM* -Rigid Pendant (3/8 IPS) CD* -Aircraft Cable, Straight Cord CC* -Coil Cord H -Hook CP -Card & Plug NM2 -1/2" Hub NM3 -3/4" Hub	GL -Tempered Glass Lens (standard) FWG -Flat Wire Guard TP -Tamper-Proof PG -Prismatic Glass Lens (not recommended)
AP2422	BT37	450	H1	MS	HCP	GL

* Specify Length
in 6" increments

Dimensions shown are nominal. Spectrum Lighting is continually improving products and reserves the right to make changes that will not alter performance or appearance with or without written notice.



PROJECT:	TYPE:
MODEL NO.:	

