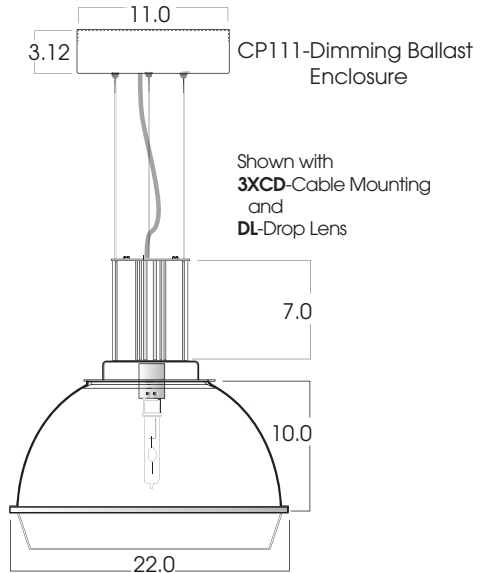


**LUMEN MAX  
EXTRUDED HOUSING  
ALUMINUM REFLECTOR  
210 / 315 WATT MAX**

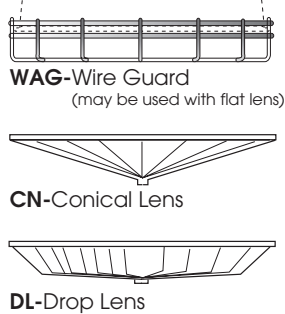


**PRODUCT INFORMATION:**

- The *LUMEN MAX* Metal Halide Series offers a unique design for high-bay applications.
- Features new Metal Halide 210w/315w T9 technology.
- System is dimmable to 50% using low voltage dimming control.
- Lamp life is rated at 20,000 hours.
- High maintained mean lumens (24,000/37,000 lm)
- CRI of 90.
- 20 Powdercoat colors available.
- Damp location rated.
- Manufactured and tested to UL standard No. 1598.



**DIFFUSER  
OPTIONS**



MODEL	WATTS	BALLAST	LAMP	KELVIN	MOUNTING	FINISH	DIFFUSER OPTIONS
<b>ALEXT22-</b> 22"x 10" Spun Aluminum Reflector 22" (315w MAX)	<b>MH210</b> (24,000 lm)	<b>MH2</b> -Metal Halide 277v	<b>T9</b> (PGZ18)	<b>3K</b> -3000° K <b>4K</b> -4000° K	<b>3xCD*</b> -3x Aircraft Cable, Straight Cord <b>CP111</b> -Spun Aluminum Ballast Compartment	<b>GW</b> -Gloss White <b>GB</b> -Gloss Black <b>MW</b> -Matte White <b>MB</b> -Matte Black <b>BZ</b> -Bronze <b>PT</b> -Platinum Silver <b>MT</b> -Mini Tek Silver <b>TW</b> -Textured White <b>CC</b> -Custom Color	<b>MOUNTING</b> <b>WAG22</b> -22" Wire Guard <b>DR22</b> -22" Spun Door <b>BC22</b> -22" Band Clamp <b>HWG22</b> -22" Half Wire Guard <b>LENS</b> <b>CN</b> -Conical Lens <b>DL</b> -Drop Lens
<b>ALEXT22</b>	<b>MH210</b>	<b>MH2</b>	<b>T9</b>	<b>3K</b>	<b>3XCD36/CP111</b>	<b>MT</b>	<b>BC22</b> <b>DL</b>

Dimensions shown are nominal. Spectrum Lighting is continually improving products and reserves the right to make changes that will not alter performance or appearance with or without written notice.



<b>PROJECT:</b>	<b>TYPE:</b>
<b>CAT. NO.:</b>	

