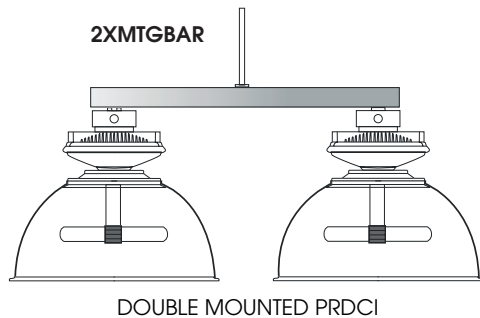
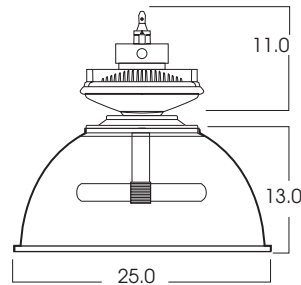


LUMEN MAX ALDCI-DU SERIES 400 WATT MAX



PRODUCT INFORMATION:

- The *LUMEN MAX* DCI Induction Series offers a unique alternative to Metal Halide.
- Diecast ballast housing (DCI) is easy to install and maintain.
- 100,000 hours rated average life.
- Crisp White Light 80+ CRI, with no color shift.
- Instant on/off.
- Wide choice of mounting options.
- Aluminum reflector for downlight control.
- 20 Powdercoat colors available. Damp location rated.
- Manufactured and tested to UL Standard No. 1598.



MODEL	WATTS	LAMP TYPE	GENERATOR	MOUNT./COLOR	DIFFUSER OPTIONS
ALDCI25- 25"x 13" Aluminum Reflector (400w MAX)	DU-200w DU-250w DU-300w DU-400w	5K -5000° Kelvin Other kelvin temperatures are available, consult factory	G1 -DU Generator 120v G2 -DU Generator 277v	HM* -Hang-Straight Pendant (3/8 IPS) PM* -Rigid Pendant (3/8 IPS) CD* -Aircraft Cable, Straight Cord SM -Surface Mount SC1 -Safety Cable HC -Hook & Cord NM2 -1/2" Hub NM3 -3/4" Hub 2XMTG BAR -Double Fixture Mounting Bar	MOUNTING WAG25 -25" Wire Guard DR25 -25" Spun Door BC25 -25" Band Clamp HWG25 -25" Half Wire Guard
ALDCI25X2- 25"x 13" Aluminum Reflector (400w MAX) DOUBLE MOUNTING					LENS DL -Drop Lens
ALDCI25	DU300	5K	G1	NM3 * Specify Length in 6" increments	WAG25 DL

Dimensions shown are nominal. Spectrum Lighting is continually improving products and reserves the right to make changes that will not alter performance or appearance with or without written notice.



PROJECT:	TYPE:
CAT. NO.:	

