



GE INFUSION™ LED

speclight.com



BRIGHTEN YOUR ENVIRONMENT WITH A LITTLE TWIST

GE INFUSION™ LED MODULE

Spectrum Lighting is excited to introduce a new series of luminaires featuring the GE Infusion™ LED Module. The long-lasting, low maintenance Infusion LED module installs with a simple twist, making it extremely easy to upgrade to more energy efficient modules as LED technology advances. It's the perfect energy-saving solution for today – and tomorrow.

Twist-in Installation

The Infusion LED module installs with a simple twist – similar to a light bulb – making it easy to install, replace, and upgrade without the need for tools or thermal paste.

- *When it's time to upgrade, there's no need to replace the entire luminaire – just twist in the latest Infusion LED module.*
- *Interchangeable modules make it easy to change color temperature and CRI, allowing for flexible lighting schemes.*
- *There's no need to replace the entire luminaire at end of LED life – only the module.*
- *Simple enough for anyone to change out.*



Exceptional Quality of Light:

With up to 3500 lumens, 3 color temperature options, high CRI (80 or 90), and up to 2-step MacAdam ellipse color quality, Infusion is ideal for retail, gallery, and other environments where quality of light is critical.

A Name You Trust

The Infusion LED module is backed by the unsurpassed reliability, stability, and trust in the GE name, ensuring that you'll have an LED partner to support you now and in the future.

QUALITY OF LIGHT & PERFORMANCE

Wide Range of Lumen Packages	850 to 3500 lumens
Multiple CCTs	2700K, 3000K, 4000K
CRI Options	Standard 80, Ultra 90 (3000K)
Color Consistency	Standard 4-Step, Ultra 2-Step
High Efficiency	Up to 76 lumens per watt
Dimming Compatibility	0-10V, Phase, DALI
Long Life	50,000 hours
Environmental Impact	Mercury free

Dimensions shown are nominal. Spectrum Lighting is continually improving products and reserves the right to make changes that will not alter performance or appearance with or without written notice.



994 Jefferson Street, Fall River, MA 02721 508.678.2303 FAX 508.678.2260



INFUSION™ LED MODULE
MODULAR LED
 30 WATT MAXIMUM

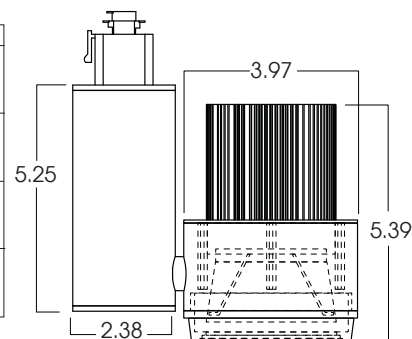


PRODUCT INFORMATION:

- Spectrac GE Infusion™ LED Module track light.
- Features quick change module and optics.
- Standard CRI is 80, High CRI (87) available use 3HK option.
- Machined aluminum construction.
- Single high powered LED produces point source quality and luminaire focus.
- 50,000 hours rated LED systems life means low maintenance.
- 2700°, 3000°, and 4100° Kelvin.
- Narrow, medium or wide beam distribution.
- Manufactured and tested to UL Standard No. 8750.

Kelvin	Wattage	Lumens	CRI	SDCM
27K	15W	900	80	<4
	23W	1500	80	<4
	30W	1800	80	<4
30K	15W	1000	80	<4
	23W	1600	80	<4
	30W	2000	80	<4
30K*	15W	1000	87	<2
High CRI	23W	1600	87	<2
	30W	2000	87	<2
40K	15W	1100	80	<4
	23W	1750	80	<4
	30W	2200	80	<4

* Special Order



GES66/TEK100/HTEK100
 adaptors for use with
GET/TEK/HTEK/XTS TRACK

MODEL	LED	KELVIN	BEAM	VOLTAGE	ADAPTOR	FINISH	ACCESSORIES*
SRTLEDGI- Spectrum Lighting infusion Mini Round LED Track Light	15W (1000 lm) 23W (1500 lm) 30W (2000 lm)	27K -2700° K 30K -3000° K 3HK -3000° K High CRI 40K -4000° K	ND (14°) MD (24°) WD (40°)	E1 -Electronic, 120V E2 -Electronic, 277V	GES66 -Works with GET Track TEK100 -Works with TEK Track HTEK100 -Works with 277V HTEK Track GA100 -Works with XTS Track GES70 -Monopoint Canopy	MT -Mini Textured Silver MB -Matte Black MW -Matte White CC -Custom Color *See SPECTRUM color chart for a full list of colors (MT/MB/-with black adaptor & cord MW -with white adaptor & cord)	FG -Frosted Face Lens LN34 -Lens (see lens pages) SN34 -Snoot HL34 -Hex Louver *Accessory finish will match fixture.
SRTLEDGI	23W	31K	MD	E1	TEK100	MT	HL34

Dimensions shown are nominal. Spectrum Lighting is continually improving products and reserves the right to make changes that will not alter performance or appearance with or without written notice.



PROJECT:	TYPE:
CAT.	





INFUSION™ LED MODULE 4"/5"/6" LED DOWNLIGHT 46 WATTS MAX

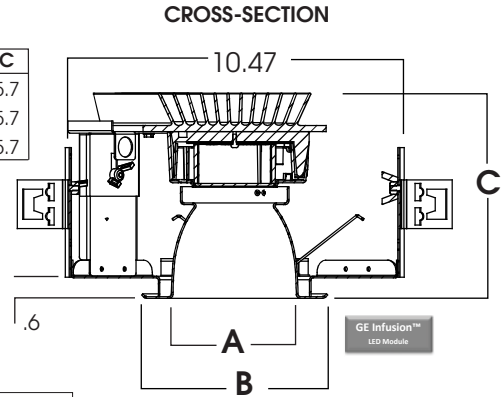


FEATURES & SPECIFICATIONS:

- GE Infusion™ LED Module round downlight series.
- Features quick change module and optics.
- 50,000 hours rated LED system life.
- Standard CRI is 80, High CRI (87) available use 3HK option.
- Trim supports a variety of lens /accessory options.
- Intended for Non-IC new construction.
- Frame constructed of 20 galvanized steel.
- Supplied with 27" long, galvanized steel bar hangers.
- Dimming available. (See page 1-444)
- EM available. (See page 1-446)
- Manufactured and built to UL standard No 8750.

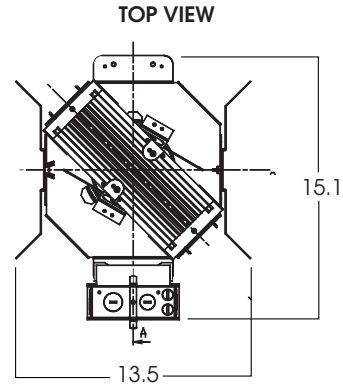
Max Ceiling Thickness:	1.5 (38.1 mm)
Ceiling Cutout:	4.6 ø (116.8 mm ø)
	5.6 ø (142.2 mm ø)
	6.6 ø (167.6 mm ø)
Fixture Weight:	4.7 lbs

	A	B	C
SGE4LEDGI	3.8	5.7	5.7
SGE5LEDGI	5.0	6.7	5.7
SGE6LEDGI	6.0	7.7	5.7



Kelvin	Wattage	Lumens	CRI	SDCM
27K	15W	900	80	<4
	23W	1500	80	<4
	30W	1800	80	<4
	46W	3000	80	<4
30K	15W	1000	80	<4
	23W	1600	80	<4
	30W	2000	80	<4
	46W	3200	80	<4
30K*	15W	1000	87	<2
	23W	1600	87	<2
	30W	2000	87	<2
	46W	3200	87	<2
40K	15W	1100	80	<4
	23W	1750	80	<4
	30W	2200	80	<4
	46W	3500	80	<4

* Special Order



SERIES	LED	KELVIN	BEAM	VOLTAGE	OPTIONS	TRIM	FINISH	TRIM OPTIONS
SGE4LEDGI- Spectrum Infinium 4" LED Downlight	15W	27K -2700° K	ND (14°)	E1 -Electronic, 120V	BH6 -Expandable Bar Hangers, 6" - 12"	AR4240GI (4")	MW -Matte White	SO -Micro Prism Solite™ lens
	23W	30K -3000° K	MD (24°)	E2 -Electronic 277V	BH12 -Expandable Bar Hangers, 12" - 24"		SG -Semi-Diffuse Low Irrescent	GL -Clear Glass Lens
		40K -4000° K		DS101 -0-10v Dimming 120v (3%)	CB24 -C-Channel bars (1-470)		HZ -Matte Low Iridescent	FG -Frosted Glass Lens
SGE5LEDGI- Spectrum Infinium 5" LED Downlight	30W			DS102 -0-10v Dimming 277v (3%)	FS -Fusing	AR5240GI (5")	GO -Gold Alzak	WL -Wet Location
	46W			CCEA -Chicago Ceiling Plenum CCEA (1-480)	CR -Corrosion Resistant (1-460)		WE -Wheat Alzak	
SGE6LEDGI- Spectrum Infinium 6" LED Downlight					PR -Plaster Ring (1-430)	AR6240GI (6")	MB -Matte Black	
					TBC -T-bar clips (1-475)		EMLED -Emergency Back-up Battery (1-423)	CC -Custom Color
					GR -Goof Ring (1-470)		PF -Polished Flange	
							WF -White Flange	
SGE4LEDGI	23W	31K	MD	E1		AR4240GI	SG	

Dimensions shown are nominal. Spectrum Lighting is continually improving products and reserves the right to make changes that will not alter performance or appearance with or without written notice.

PROJECT:	TYPE:
CAT.	



994 Jefferson Street, Fall River, MA 02721 508.678.2303 FAX 508.678.2260





INFUSION™ LED MODULE 4"/6" SQUARE DOWNLIGHT

46 WATTS MAX

E*SQLED
SPECTRUM
INFINIUM™

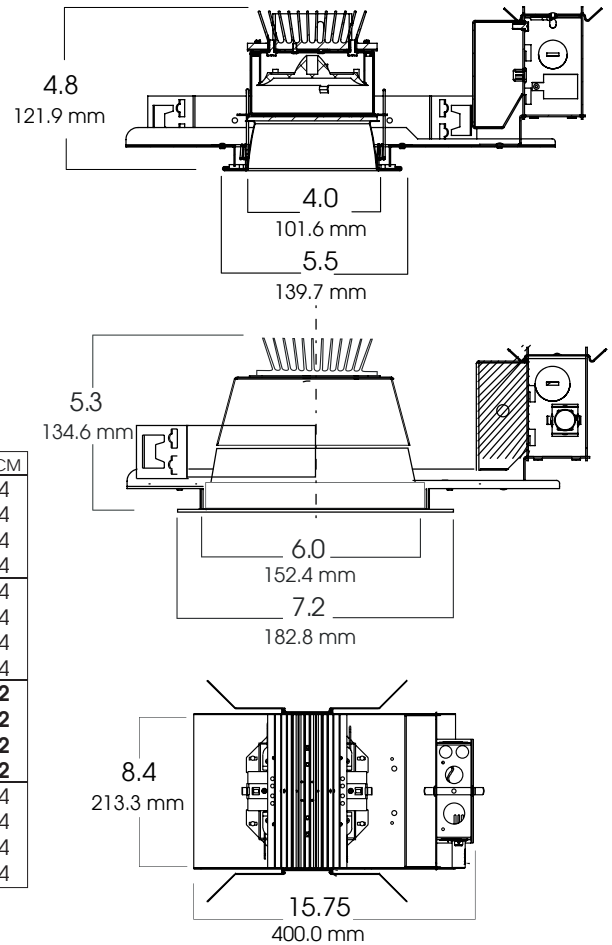
FEATURES & SPECIFICATIONS:

- Square GE Infusion™ LED Module square downlight series.
- Features quick change module and optics.
- 50,000 hours rated LED system life.
- Standard CRI is 80, High CRI (87) available use 3HK option.
- Trim supports a variety of lens /accessory options.
- Intended for Non-IC new construction.
- Frame constructed of 20 galvanized steel.
- Supplied with 27" long, galvanized steel bar hangers.
- Dimming available. (See page 1-444)
- EM available. (See page 1-446)
- Manufactured and built to UL standard No 8750.

Max Ceiling Thickness: 1.5 (38.1 mm)
Ceiling Cutout: 4.6²/6.6²
Fixture Weight: 4.0 lbs/5.1lbs

Kelvin	Wattage	Lumens	CRI	SDCM
27K	15W	900	80	<4
	23W	1500	80	<4
	30W	1800	80	<4
	46W	3000	80	<4
30K	15W	1000	80	<4
	23W	1600	80	<4
	30W	2000	80	<4
	46W	3200	80	<4
30K*	15W	1000	87	<2
	23W	1600	87	<2
	30W	2000	87	<2
	46W	3200	87	<2
40K	15W	1100	80	<4
	23W	1750	80	<4
	30W	2200	80	<4
	46W	3500	80	<4

* Special Order



SERIES	LED	KELVIN	BEAM	VOLTAGE	OPTIONS	TRIM / FINISH	TRIM OPTIONS
SGE4SQLEDGI Spectrum INFUSION™ 4" LED Square Downlight	15W	27K -2700° K	ND (14°)	E1 -Electronic, 120V	BH6 -Expandable Bar Hangers, 6" - 12"	AR0204LGI-MW -Matte White	FGCC -Frosted Glass w/ Clear Center
	23W	30K -3000° K High CRI	MD (24°)	E2 -Electronic 277V	BH12 -Expandable Bar Hangers, 12" - 24"	SG -Semi-Diffuse Low Iridescent clear	SO -Micro Prism Solite™ lens
	30W	40K -4000° K	WD (40°)	DS101 -0-10v Dimming 120v (3%)	CB24 -C-Channel bars (1-470)	HZ -Matte Low Iridescent	FG -Frosted Glass
SGE6SQLEDGI Spectrum INFUSION™ 6" LED Square Downlight	46W			DS102 -0-10v Dimming 277v (3%)	FS -Fuse Holder and Huse	AR02306LGI	GS -Gasket
					CCEA -Chicago Ceiling Plenum CCEA 1-480	WE -Wheat Alzak	WL -Wet Location
					CR -Corrosion Resistant (1-460)	MB -Matte Black	DEC -Decorative Trims
					PR -Plaster Ring (1-430)	CC -Custom Color	
					TBC -T-bar clips (1-475)	PF -Polished Flange	
					EMLED -Emergency Back-up Battery (1-423)	WF -White Flange	
					GR -Goof Ring (1-470)		
SGE4SQLEDGI	23W	31K	MD	E1	EMLED	AR0204GI SG	FG CC

Dimensions shown are nominal. Spectrum Lighting is continually improving products and reserves the right to make changes that will not alter performance or appearance with or without written notice.



PROJECT:	TYPE:
CAT.	





INFUSION™ LED MODULE

LED ACCENT LIGHTING

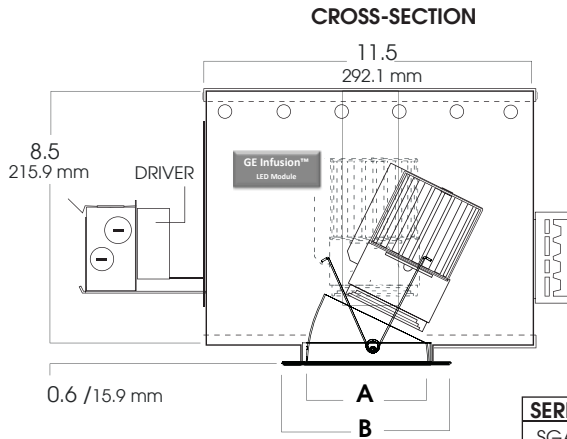
15/23/30 WATTS



FEATURES & SPECIFICATIONS:

- GE Infusion™ LED Module adjustable accent series.
- Features quick change module and optics.
- 50,000 hours rated LED system life.
- Standard CRI is 80, High CRI (87) available use 3HK option.
- Trim supports a variety of lens /accessory options.
- Intended for Non-IC new construction.
- Frame constructed of 20 galvanized steel.
- Supplied with 27" long, galvanized steel bar hangers.
- Dimming available. (See page 1-444)
- Manufactured and built to UL standard No 8750.

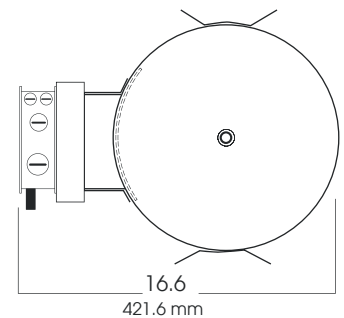
Max Ceiling Thickness: 1.5 (38.1 mm)
 Ceiling Cutout: 4.6 / 5.6 / 6.7
 Fixture Weight: 6 lbs. / 6.5 lbs. / 7lbs.



SERIES	A	B
SGA4	4.0	5.25
SGA5	5.0	6.25
SGA6	6.0	7.25

Kelvin	Wattage	Lumens	CRI	SDCM
27K	15W	900	80	<4
	23W	1500	80	<4
	30W	1800	80	<4
30K	15W	1000	80	<4
	23W	1600	80	<4
	30W	2000	80	<4
30K*	15W	1000	87	<2
	High 23W	1600	87	<2
	CRI 30W	2000	87	<2
40K	15W	1100	80	<4
	23W	1750	80	<4
	30W	2200	80	<4

TOP VIEW



* Special Order

SERIES	LED	KELVIN	BEAM	VOLTAGE	OPTIONS	TRIM / FINISH	TRIM OPTIONS
SGA4LEDGI- 4" LED Adjustable Downlight	15W	27K -2700° K	ND (14°)	E1 -Electronic, 120V	BH6 -Expandable Bar Hangers, 6" - 21" BH12 -Expandable Bar Hangers, 12" - 24" CB24 -C-Channel bars (1-470) FS -Fuse and Fuse Holder CCEA -Chicago Ceiling Plenum CCEA (1-480) CR -Corrosion Resistant (1-460) PR -Plaster Ring (1-430) TBC -T-bar clips (1-475) GR -Goof Ring (1-470) SCA -Slope Ceiling Adaptor (1-435)	AR4500GI- MW -Matte White (4" Aperture) SG -Semi-Diffuse Low Iridescent AR5500GI- HZ -Matte Low (5" Aperture) Iridescent AR6500GI- MB -Matte Balck (6" Aperture) CC -Costum Color PF -Polished Flange WF -White Flange	SO -Micro Prism Solite™ lens PG -Prismatic Glass GL -Clear Glass FG -Frosted Glass GS -Gasket WL -Wet Location DEC -Decorative Trims
	23W	30K -3000° K High CRI	MD (24°)	E2 -Electronic 277V			
	30W	40K -4000° K	WD (40°)	DS101 -0-10v Dimming 120v (3%) DS102 -0-10v Dimming 277v (3%)			
SGA5LEDGI- 5" LED GIAdjustable Downlight							
SGA6LEDGI- 6" LED Adjustable Downlight							
SGA4LEDGI	23W	31K	MD	E1		AR4500 GI SG	GS

Dimensions shown are nominal. Spectrum Lighting is continually improving products and reserves the right to make changes that will not alter performance or appearance with or without written notice.



PROJECT:	TYPE:
CAT.	





INFUSION™ LED MODULE SQUARE ACCENT LIGHTING

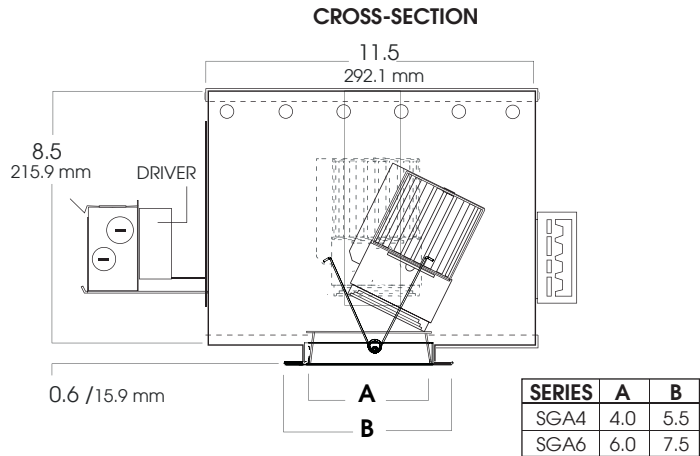
15/23/30 WATTS



FEATURES & SPECIFICATIONS:

- Square GE Infusion™ LED Module adjustable series.
- Features quick change module and optics.
- 50,000 hours rated LED system life.
- Standard CRI is 80, High CRI (87) available use 3HK option.
- Trim supports a variety of lens /accessory options.
- Intended for Non-IC new construction.
- Frame constructed of 20 galvanized steel.
- Supplied with 27" long, galvanized steel bar hangers.
- Dimming available. (See page 1-444)
- EM available. (See page 1-446)
- Manufactured and built to UL standard No 8750.

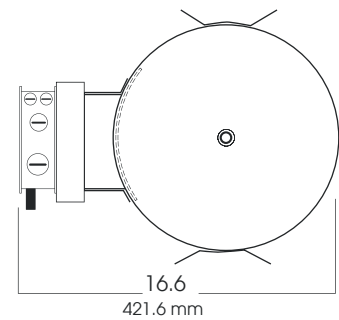
Max Ceiling Thickness: 1.5 (38.1 mm)
 Ceiling Cutout: 4.6x4.6 / 6.7x6.7
 Fixture Weight: 5 lbs. / 7 lbs.



Kelvin	Wattage	Lumens	CRI	SDCM
27K	15W	900	80	<4
	23W	1500	80	<4
	30W	1800	80	<4
30K	15W	1000	80	<4
	23W	1600	80	<4
	30W	2000	80	<4
30K*	15W	1000	87	<2
High	23W	1600	87	<2
CRI	30W	2000	87	<2
40K	15W	1100	80	<4
	23W	1750	80	<4
	30W	2200	80	<4

* Special Order

TOP VIEW



SERIES	LED	KELVIN	BEAM	VOLTAGE	OPTIONS	TRIM / FINISH	TRIM OPTIONS	
SGA4SQLEDGI- 4" LED Adjustable Square Downlight	15W 23W 30W	27K -2700° K 30K -3000° K 3HK -3000° K High CRI 40K -4000° K	ND (14°) MD (24°) WD (40°)	E1 -Electronic, 120V E2 -Electronic 277V DS101 -0-10v Dimming 120v (3%) DS102 -0-10v Dimming 277v (3%)	BH6 -Expandable Bar Hangers, 6" - 21" BH12 -Expandable Bar Hangers, 12" - 24" CB24 -C-Channel bars (1-470) FS -Fuse and Fuse Holder CCEA -Chicago Ceiling Plenum CCEA (1-480) CR -Corrosion Resistant (1-460) PR -Plaster Ring (1-430) TBC -T-bar clips (1-475) GR -Goof Ring (1-470) SCA -Slope Ceiling Adaptor (1-435)	AR0204GI- (4" Square Aperture) AR0206GI (6" Square Aperture)	MW -Matte White SG -Semi-Diffuse Low Iridescent HZ -Matte Low Iridescent WE -Wheat Alzak MB -Matte Black CC -Custom Color PF -Polished Flange WF -White Flange	SO -Micro Prism Solite™ lens PG -Prismatic Glass GL -Clear Glass FG -Frosted Glass GS -Gasket WL -Wet Location DEC -Decorative Trims
SGA6SQLEDGI- 6" LED Adjustable Square Downlight								
SGA4SQLEDGI	23W	31K	MD	E1	EMLED	AR0204GI SG	GS	

Dimensions shown are nominal. Spectrum Lighting is continually improving products and reserves the right to make changes that will not alter performance or appearance with or without written notice.



PROJECT:	TYPE:
CAT.	





INFUSION™ LED MODULE

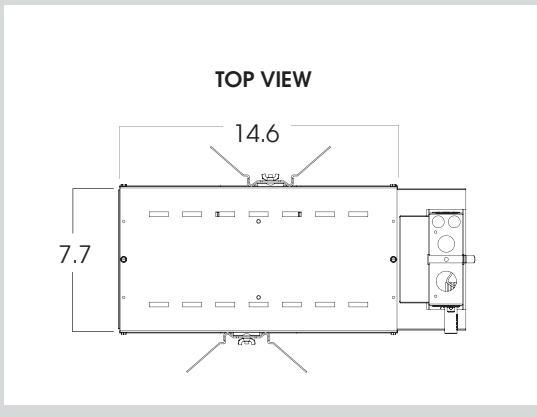
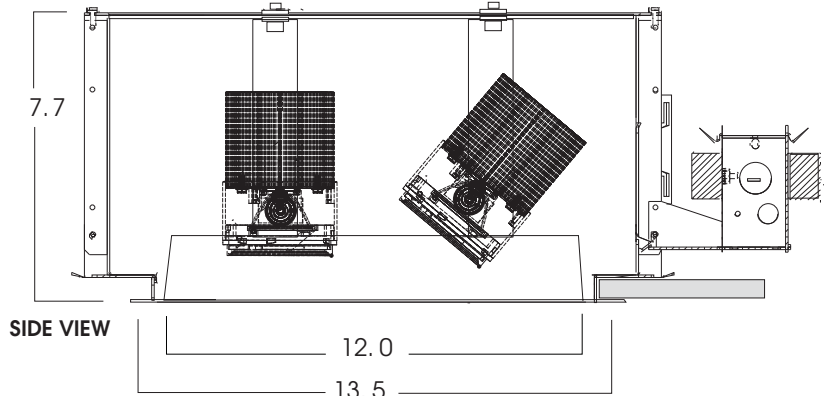
RC6 ACCENT LIGHT

2 x 40 WATT LED MAX



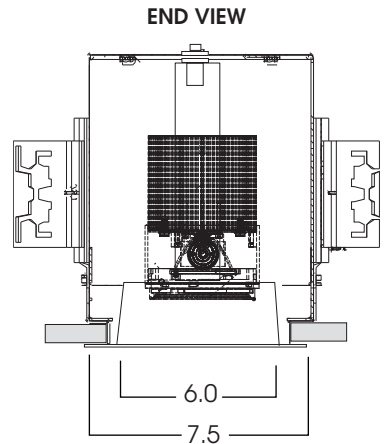
FEATURES & SPECIFICATIONS:

- GE Infusion™ LED Module multi head downlight series.
- Features quick change module and optics.
- 50,000 hours rated LED system life.
- Standard CRI is 80, High CRI (87) available use 3HK option.
- Trim supports a variety of lens /accessory options.
- Fixture heads rotate 360° / lock and tilt to 45° for optimal aiming.
- Narrow, medium and wide beam spreads.
- All LED modules are replaceable and upgradable.
- Intended for Non-IC new construction.
- Supplied with 27" long, heavy ga. galvanized steel bar hangers.
- Manufactured and built to UL standard No 8750.



Kelvin	Wattage	Lumens	CRI	SDCM
27K	15W	900	80	<4
	23W	1500	80	<4
	30W	1800	80	<4
30K	15W	1000	80	<4
	23W	1600	80	<4
	30W	2000	80	<4
30K*	15W	1000	87	<2
	High 23W	1600	87	<2
	CRI 30W	2000	87	<2
40K	15W	1100	80	<4
	23W	1750	80	<4
	30W	2200	80	<4

* Special Order



SERIES	LED	KELVIN	BEAM	VOLTAGE	INTERIOR FINISH	OPTIONS	TRIM / FINISH
RC612LED- Spectrum Infusion Multi Head Downlight	15W	27K -2700° K	ND (14°)	E1 -Electronic, 120V	MWI -Matte White Interior	CB24 -C-Channel bars (1-470)	WITH TRIM ORDER: AR0312LED-MW -Matte White (standard)
	23W	30K -3000° K High CRI	MD (24°)	E2 -Electronic 277V	MBI -Matte Black Interior	FS -Fuse Holder and Fuse	SG -Semi-Diffuse
	30W	40K -4000° K	WD (40°)	DS101 -0-10v Dimming 120v (3%)	CCI -Custom Color Interior	CCEA -Chicago Ceiling Plenum CCEA (1-480)	MB -Matte Black
	46W			DS102 -0-10v Dimming 277v (3%)		CR -Corrosion Resistant (1-460) PR -Plaster Ring (1-430) TBC -T-bar clips (1-475) EMLED -Emergency Back-up Battery (1-423) PZ612 -Trimless Aperture	TRIMLESS ORDER: NF0312LED-MW -Trimless Matte White (standard) PT -Platinum Silver SG -Semi-Diffuse MB -Matte Black
RC612LEDGI	23W	31K	MD	E1	MWI	CB24	AR0312LEDGI MW

Dimensions shown are nominal. Spectrum Lighting is continually improving products and reserves the right to make changes that will not alter performance or appearance with or without written notice.



PROJECT: _____ TYPE: _____

CAT. _____



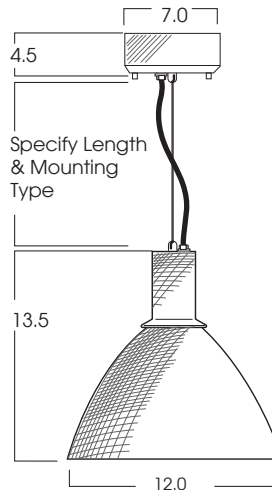


INFUSION™ LED MODULE
12" PENDANT SERIES
SPUN ALUMINUM
 GE LED



PRODUCT INFORMATION:

- Decorative spun aluminum pendant is sleek and simple.
- Fixture specification options offer a creative mix of reflector and mounting finishes.
- Fixture incorporates GE Infusion™ LED Module
- Module is replaceable and up-gradable.
- Choose 15w/23w/30w/40w
- See mounting options section for maximum stem/pendant lengths.
- Suitable for use in damp location.
- Manufactured and tested to UL standard No. 8750
- Energy star pending.



Kelvin	Wattage	Lumens	CRI	SDCM
27K	15W	900	80	<4
	23W	1500	80	<4
30K	15W	1000	80	<4
	23W	1600	80	<4
30K*	15W	1000	87	<2
High CRI	23W	1600	87	<2
40K	15W	1100	80	<4
	23W	1750	80	<4

* Special Order

MODEL	LED	KELVIN	BEAM	VOLTAGE	MOUNTING	MOUNTING FINISH	REFLECTOR
DP12AL- Speculume Pendant Series, 12"x10" Spun Aluminum	15W 23W	27K -2700° K 30K -3000° K 3HK -3000° K High CRI 40K -4000° K	ND (14°) MD (24°) WD (40°)	E1 -Electronic, 120V E2 -Electronic 277V DS101 -0-10v Dimming 120v (3%) DS102 -0-10v Dimming 277v (3%)	CD* -Cord and Cable Mount CDCC* -Coil Cord and Cable Mount HM* -Hang Straight Pendant HMAT* -Adjustable Length Hang Straight Pendant PM* -Pendant/Straight Mount CP13 -Transformer Housing * Specify Length in inches **12" or 36" lengths only	PT -Platinum Silver (Gray Cord / Stem) MB -Matte Black (Black Cord / Stem) MW -Matte White (White Cord / Stem) BA -Brushed Aluminum (Gray Cord / Stem) CC -Custom Color (see color chart)	AL12PT -Platinum Silver AL12MB -Matte Black AL12MW -Matte White AL12BA -Brushed Aluminum (white interior standard) AL12CC -Custom Color (see color chart) 12x10 Pendant Reflector
DP12AL	23W	31K	MD	E1	CD36 / CP13	BA	AL12PT

Dimensions shown are nominal. Spectrum Lighting is continually improving products and reserves the right to make changes that will not alter performance or appearance with or without written notice.



PROJECT:	TYPE:
CAT.	



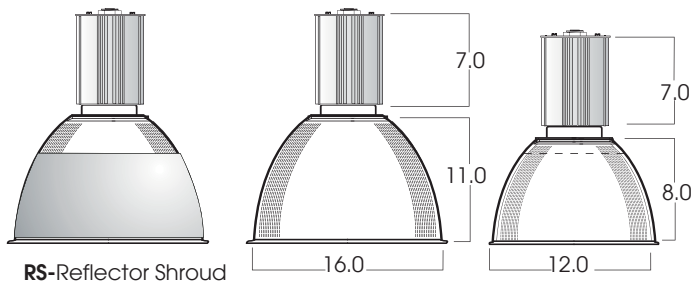


**INFUSION™ LED MODULE
EXTRUDED HOUSING
PRISMATIC REFRACTOR
46 WATT MAX**

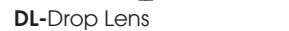
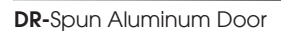
**LED
LUMEN MAX
SERIES**

PRODUCT INFORMATION:

- The *LUMEN MAX* LED Series fixture offers a unique design for high and mid-bay applications.
- Single high powered LED produces point source quality and luminaire focus.
- 50,000 hours rated lamp life means low maintenance..
- GE Infusion™ LED Module are replaceable and up-gradeable.
- Prismatic refractor allows up-light. Opal and Diffuse finishes are available.
- 20 Powdercoat colors available.
- Damp location rated.
- Manufactured and tested to UL standard No. 8750



DIFFUSER OPTIONS



Kelvin	Wattage	Lumens	CRI	SDCM
27K	15W	900	80	<4
	23W	1500	80	<4
	30W	1800	80	<4
30K	15W	1000	80	<4
	23W	1600	80	<4
	30W	2000	80	<4
30K*	15W	1000	87	<2
High CRI	23W	1600	87	<2
CRI	30W	2000	87	<2
40K	15W	1100	80	<4
	23W	1750	80	<4
	30W	2200	80	<4
	46W	3500	80	<4

*Special Order

MODEL	LED	KELVIN	BEAM	DRIVER	MOUNTING	REFRACTOR	DIFFUSER OPTIONS
PREXT12LED- 12"x 8"	15W	27K -2700° K 30K -3000° K 3HK -3000° K High CRI	ND (14°)	E1 -Electronic, 120V E2 -Electronic CDCC* 277V	CD* -Cord and Cable Mount CC -Coil Cord and Cable Mount HM* -Hang Straight Pendant HMAT* -Adjustable Length Hang Straight Pendant PM* -Pendant/Straight Mount CP13 -Ballast Housing	PR12 -12" Clear Prismatic PR16 -16" Clear Prismatic OP12 -12" Opal Etch OP16 -16" Opal Etch DF12 -12" Diffuse DF16 -16" Diffuse SC2 -Safety Cable, refractor to trim	MOUNTING WAG12 -12" Wire Guard WAG16 -16" Wire Guard DR12 -12" Spun Door DR16 -16" Spun Door BC12 -12" Band Clamp BC16 -16" Band Clamp RS12 -12" Reflector Shroud RS16 -16" Reflector Shroud LENS GL -Clear Glass PG -Prismatic Glass FG -Frosted Glass CN -Conical Lens DL -Drop Lens
PREXT16LED- 16"x 11"	23W 30W 46W	40K -4000° K	MD (24°) WD (40°)	DS101 -0-10v Dimming 120v (3%) DS102 -0-10v Dimming 277v (3%)			
PREXT16LED	23W	31K	MD	E1	CD36 / CP13	PR16	WAG16 GL

Dimensions shown are nominal. Spectrum Lighting is continually improving products and reserves the right to make changes that will not alter performance or appearance with or without written notice.



PROJECT: _____ **TYPE:** _____

CAT. _____





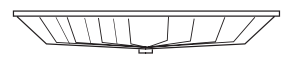
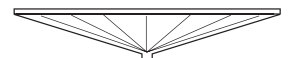
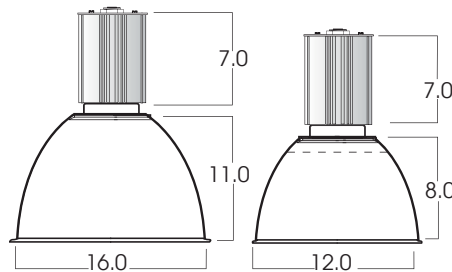
INFUSION™ LED MODULE
EXTRUDED HOUSING
ALUMINUM REFLECTOR
 46 WATT MAX

LED
LUMEN MAX
SERIES

PRODUCT INFORMATION:

- The *LUMEN MAX* LED Series fixture offers a unique design for high and mid-bay applications.
- Single high powered LED produces point source quality and luminaire focus.
- 50,000 hours rated lamp life means low maintenance..
- GE Infusion™ LED Module are replaceable and up-gradeable.
- Prismatic refractor allows up-light. Opal and Diffuse finishes are available.
- 20 Powdercoat colors available.
- Damp location rated.
- Manufactured and tested to UL standard No. 8750

DIFFUSER OPTIONS



Kelvin	Wattage	Lumens	CRI	SDCM
27K	15W	900	80	<4
	23W	1500	80	<4
	30W	1800	80	<4
30K	15W	1000	80	<4
	23W	1600	80	<4
	30W	2000	80	<4
30K*	15W	1000	87	<2
	High	23W	1600	87
	CRI	30W	2000	87
40K	15W	1100	80	<4
	23W	1750	80	<4
	30W	2200	80	<4
	46W	3500	80	<4

*Special Order

MODEL	LED	KELVIN	BEAM	DRIVER	MOUNT./COLOR	FINISH	DIFFUSER OPTIONS
ALEXT12LED 12"x 8"	15W	27K -2700° K 30K -3000° K 3HK -3000° K High CRI	ND (14°)	E1 -Electronic, 120V E2 -Electronic 277V	HM* -Hang-Straight Pendant (3/8 IPS) PM* -Rigid Pendant (3/8 IPS) CD* -Aircraft Cable, Straight Cord SM -Surface Mount (Consult Factory)	MT -Mini Tek Silver MB -Matte Black MW -Matte White GW -Gloss White	MOUNTING WAG12 - 12" Wire Guard WAG16 - 16" Wire Guard DR12 - 12" Spun Door DR16 - 16" Spun Door SC2 -Safety Cable, reflector to diffuser
ALEXT16LED- 16"x 11"	23W 30W 46W	40K -4000° K	MD (24°) WD (40°)	DS101 -0-10v Dimming 120v (3%) DS102 -0-10v Dimming 277v (3%)	SC1 -Safety Cable HC -Hook & Cord NM2 -½" Hub NM3 -¾" Hub		LENS GL -Clear Glass PG -Prismatic Glass FG -Frosted Glass CN -Conical Lens DL -Drop Lens
ALEXT16LED	23W	31K	MD	E1	* Specify Length in 6" increments HM36/GW	MT	WAG12 GL

Dimensions shown are nominal. Spectrum Lighting is continually improving products and reserves the right to make changes that will not alter performance or appearance with or without written notice.



PROJECT: _____ **TYPE:** _____

CAT. _____



INFUSION™ LED MODULE OPEN 8" ROUND CYLINDER 46 WATT MAX LED

SPC08
SPECTRUM
CYLINDERS



PRODUCT INFORMATION:

- GE Infusion™ LED Module Cylinder series.
- Features quick change module and optics.
- Standard CRI is 80, High CRI (87) available use 3HK option.
- 50,000 hours rated LED system life.
- Standard CRI is 80, contact factory for 90 CRI options.
- 20 powdercoat options.
- Suitable for damp locations. Wet Location available.
- Manufactured and tested to UL standard No. 8750.

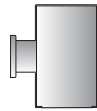
MOUNTING



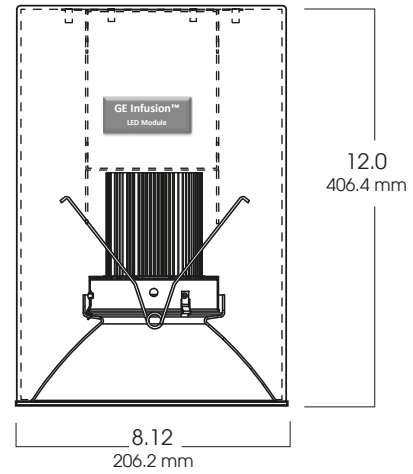
SM- Surface / Ceiling Mount



HM - Hang Straight Pendant
PM - Pendant Mount



WM - Wall Mount



Fixture Weight: 10.0 lbs

Kelvin	Wattage	Lumens	CRI	SDCM
27K	15W	900	80	<4
	23W	1500	80	<4
	30W	1800	80	<4
30K	15W	1000	80	<4
	23W	1600	80	<4
	30W	2000	80	<4
30K*	15W	1000	87	<2
High	23W	1600	87	<2
CRI	30W	2000	87	<2
40K	15W	1100	80	<4
	23W	1750	80	<4
	30W	2200	80	<4
	46W	3500	80	<4

* Special Order

SERIES	LED	KELVIN	BEAM	VOLTAGE	OPTIONS	TRIM / FINISH	MOUNTING FINISH
SPC0812LED- Spectrum INFUSION LED Cylinder	15W	27K -2700° K 30K -3000° K 3HK -3000° K High CRI 40K -4000° K	ND (14°) MD (24°)	E1 -Electronic, 120V E2 -Electronic 277V	FS-Fuse Holder and Fuse GS-Gasket CR-Corrosion Resistant	AR8454GI-MW -Matte White SG -Semi-Diffuse Low Iridescent clear GL -Clear Glass WL -Wet location	HM* -Hang-Straight Mounting GM -Gloss White GB -Gloss Black HMAT** -Field Cuttable MW -Matte White Length Hang Straight Pendant PT -Platinum Silver PM* -Pendant Mount SM -Surface Mount MT -Mini Tek Silver WM -Wall Mount TW -Textured White CC -Custom Color
	23W						
	30W		WD (40°)	DS101 -0-10v Dimming 120v (3%) DS102 -0-10v Dimming 277v (3%)			
	46W						
SPC0812LEDGI	23W	31K	MD	E1	FS	AR8454GI SG	WM GW

Dimensions shown are nominal. Spectrum Lighting is continually improving products and reserves the right to make changes that will not alter performance or appearance with or without written notice.



PROJECT:	TYPE:
CAT.	

