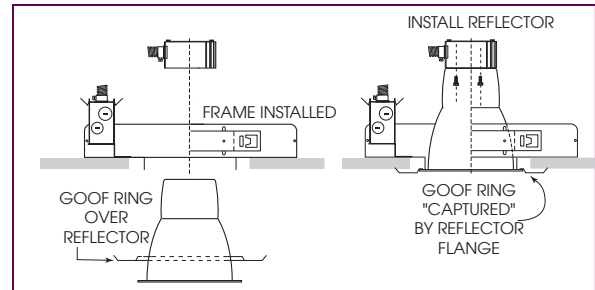
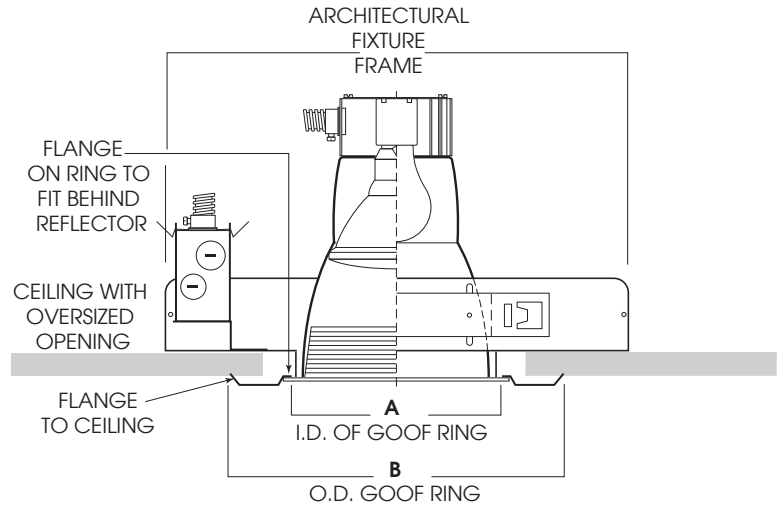
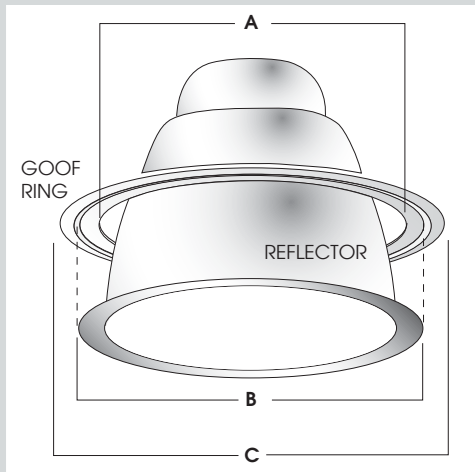


"GOOF RING" SERIES OPTIONS AND INSTALLATION



FEATURES:

- Choose from regular or large (7" & 8" aperture) goof rings for standard aperture sizes
- Goof rings are designed to fit standard Spectrum reflectors. Recess fits reflector flange (seats reflector flush)
- 1/4" return cups to seat to ceiling (eliminate light leaks).
- Custom size I.D. or O.D. for existing work (square or round) available. Consult factory.
- Material: .050 1100-0 aluminium.
- Finish: matte white paint (MW), Soft Glow Alzak (SG), or other choices, consult factory



SERIES	APERTURE	GOOF RING I.D.	REFLECTOR FLANGE O.D.	GOOF RING O.D.
		A	B	C
GR4-FINISH*	4.0	4.25 / 107.9mm	5.62 / 142.8 mm	6.88 / 174.6mm
GR5-FINISH*	5.0	5.06 / 128.6 mm	6.0 / 152.4 mm	7.56 / 192.0 mm
GR6L-FINISH*	6.0	6.37 / 161.7 mm	7.5 / 190.5 mm	9.9 / 251.4 mm
GR6-FINISH*	6.0	6.37 / 161.7 mm	7.3 / 185.4 mm	8.8 / 223.5 mm
GR7L-FINISH*	6.5	6.75 / 171.4 mm	7.75 / 196.8 mm	9.06 / 230.2 mm
GR7-FINISH*	6.5	6.75 / 171.4 mm	6.875 / 174.6 mm	10.56 / 268.2 mm
GR8L-FINISH*	7.5	7.75 / 196.8 mm	9.37 / 238.1 mm	10.62 / 269.8 mm
GR8-FINISH*	7.5	7.75 / 196.8 mm	8.75 / 228.3 mm	12.88 / 327.6 mm
GR9-FINISH*	9.0	9.5 / 241.3 mm	10.625 / 269.7 mm	12.5 / 317.5 mm
GR10H-FINISH*	9.5	9.75 / 247.2 mm	11.0 / 279.4 mm	14.0 / 355.6 mm
GR10V-FINISH*	10.0	10.12 / 257.2 mm	11.87 / 301.4 mm	14.0 / 355.6mm
GR*:_____*	CUSTOM:_____	CUSTOM:_____	CUSTOM:_____	CUSTOM:_____
GR8	7.5	7.75	8.75	12.88

Dimensions shown are nominal. Spectrum Lighting is continually improving products and reserves the right to make changes that will not alter performance or appearance with or without written notice.



PROJECT:	TYPE:
MODEL NO.:	