

# 6" VERTICAL FLUORESCENT MULTI-FACETED REFLECTOR

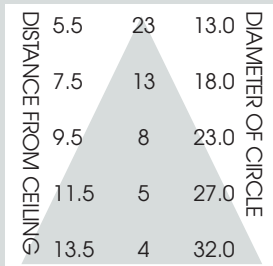
1 x 42 WATT MAX



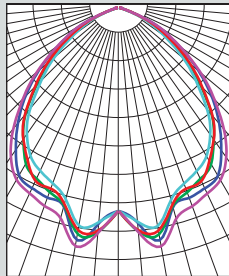
## FEATURES & SPECIFICATIONS:

- 6" aperture series with multi-faceted reflector for distinct look.
- Intended for Non-IC new construction.  
For IC applications, refer to page 1-400.
- Frame constructed of 20 ga. galvanized steel.
- Supplied with 27" long, heavy ga. galvanized steel bar hangers.
- Ballasts shall be integrally mounted, electronic sound rated "A", Class P, multi-volt 120v - 277v.
- UL Listed for Damp Locations.
- For options detail, see page numbers listed below.

Max Ceiling Thickness: 1.5 (38.1 mm)  
Ceiling Cutout: 6.2 Ø (157.8 mm Ø)  
Fixture Weight: 4.0 lbs

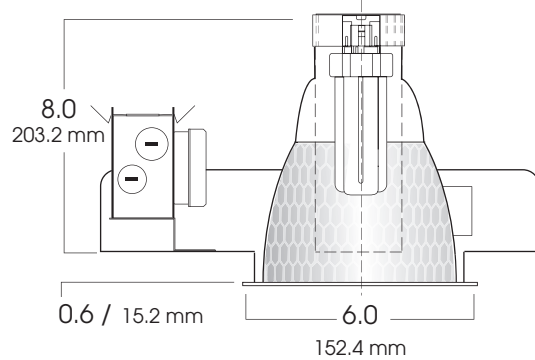


CONE OF LIGHT

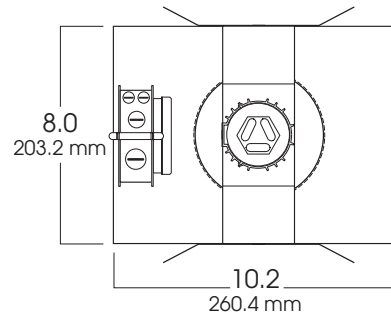


W6V142w- Efficiency: 52.2%  
Spacing: 1.37

CROSS-SECTION



TOP VIEW



SERIES	WATTS	BALLAST	OPTIONS	TRIM / FINISH	TRIM OPTIONS
SG6V- Spectrum Gold 6" Vertical	113	EX -Electronic, multi-volt 120v thru 277v	CB24 -C-Channel bars 1-470	AR6416-FC -Semi-Diffuse Faceted PF -Polished Flange	GS -Gasket
	118	DA1 -Advance Mark 10™ powerline dimming, 120v <sup>1</sup>	CCEA -Chicago Ceiling Plenum CCEA 1-480		
	126	DA2 -Advance Mark 10™ powerline dimming, 277v <sup>1</sup>	CR -Corrosion Resistant 1-460		
	132	DAM7 -Advance Mark 7™ 0-10v dimming, 120v thru 277v	EM -Emergency battery pack 1-420		
	142	DL1 -Lutron Compact SE™ 120v (min. dimming level 5%) <sup>1</sup>	FS -Fuse holder and fuse IC -Insulation Contact 1-400		
		DL2 -Lutron Compact SE™ 277v (min. dimming level 5%) <sup>1</sup>	PR -Plaster Ring 1-430 RM -Remodeler Housing 1-450		
		<sup>1</sup> Not available for 13w Quad or TRT lamp	TBC -T-bar clips 1-475 TST -Twist-Lok Socket 1-425		
<b>SG6V</b>	<b>132</b>	<b>EX</b>	<b>EM/</b>	<b>AR6416 FC</b>	<b>GS</b>

Note: White flange is standard.

Dimensions shown are nominal. Spectrum Lighting is continually improving products and reserves the right to make changes that will not alter performance or appearance with or without written notice.



PROJECT:	TYPE:
CAT. NO.:	



# 6" METAL HALIDE SERIES MULTI-FACETED REFLECTOR 70 WATT MAX

**6MH**  
SPECTRUM  
GOLD SERIES™

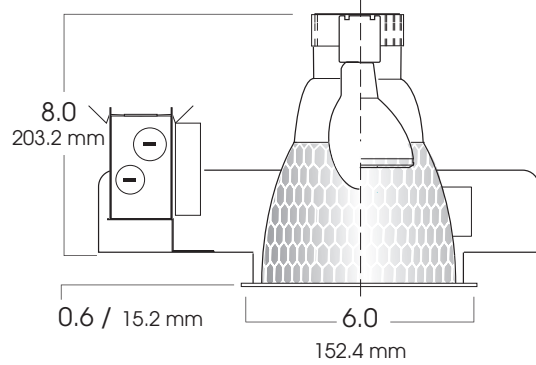


## FEATURES & SPECIFICATIONS:

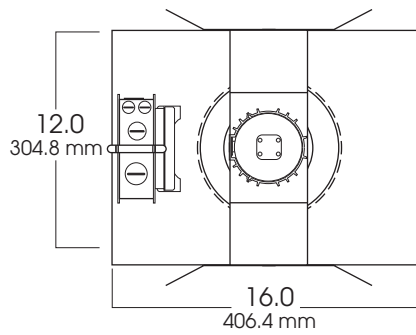
- 6" aperture series with multi-faceted reflector for distinct look
- Intended for Non-IC new construction.  
For IC applications, refer to page 1-400.
- Frame constructed of 20 ga. galvanized steel.
- Supplied with 27" long, heavy ga. galvanized steel bar hangers.
- UL Listed for Damp Locations.
- For options detail, see page numbers listed below.

Max Ceiling Thickness: 1.5 (38.1 mm)  
Ceiling Cutout: 6.2 Ø (157.8 mm Ø)  
Fixture Weight: 4.0 lbs

CROSS-SECTION



TOP VIEW



### FIXTURE LAMPING \*

**ED17 - 50w**  
**PAR30L - 39W, 70W**  
**PAR38 - 70W**  
\*Medium base

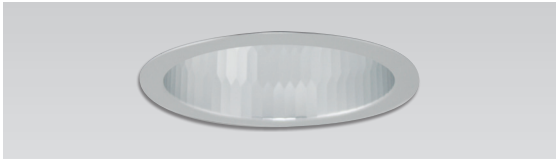
SERIES	WATTS	BALLAST	LAMP	OPTIONS	TRIM / FINISH	TRIM OPTIONS
<b>SG6MH-</b> Spectrum Gold 6" Vertical	<b>39</b> <b>50</b> <b>70</b>	<b>EX</b> -Electronic, multi-volt 120v or 277v <b>E1</b> -Electronic 120v (150w only) <b>E2</b> -Electronic 277v (150w only)	<b>ED17</b> <b>PAR30L</b> <b>PAR38</b>	<b>CB24</b> -C-Channel bars 1-470 <b>CCEA</b> -Chicago Ceiling Plenum CCEA 1-480 <b>CR</b> -Corrosion Resistant 1-460 <b>FS</b> -Fuse holder and fuse <b>PR</b> -Plaster Ring 1-430 <b>RM</b> -Remodeler Housing 1-450 <b>TBC</b> -T-bar clips 1-475	<b>AR6416-FC</b> -Semi-Diffuse Faceted <b>PF</b> -Polished Flange	<b>GS</b> -Gasket
<b>SG6MH</b>	<b>39</b>	<b>EX</b>	<b>PAR38</b>	<b>CB24</b>	<b>AR6416 FC</b>	<b>GS</b>

Dimensions shown are nominal. Spectrum Lighting is continually improving products and reserves the right to make changes that will not alter performance or appearance with or without written notice.



<b>PROJECT:</b>	<b>TYPE:</b>
<b>CAT. NO.:</b>	





# 6" INCANDESCENT SERIES MULTI-FACETED REFLECTOR

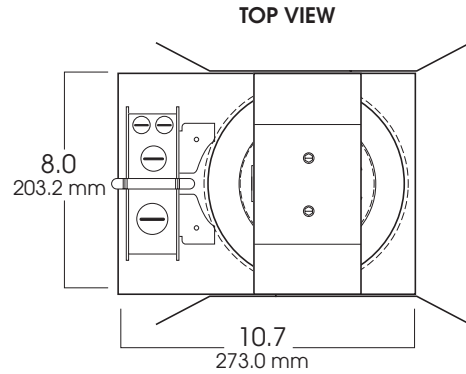
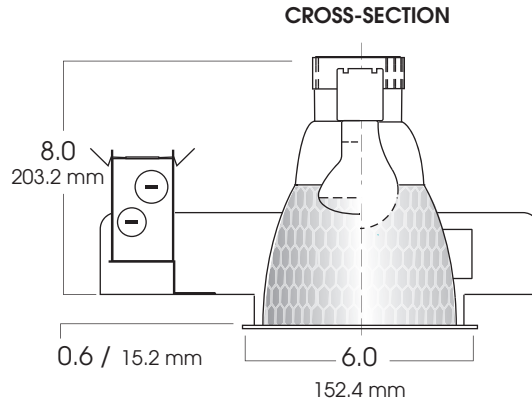
200 WATT MAX



### FEATURES & SPECIFICATIONS:

- 6" aperture series with multi-faceted reflector for distinct look.
- Intended for Non-IC new construction.  
For IC applications, refer to page 1-400.
- Frame constructed of 20 ga. galvanized steel.
- Supplied with 27" long, heavy ga. galvanized steel bar hangers.
- **120 Volt** is standard. Use option **T277** for 277v supply feed.
- UL Listed for Damp Locations.
- For options detail, see page numbers listed below.

Max Ceiling Thickness:	1.0 (25.4 mm)
Ceiling Cutout:	7.0 Ø (177.8 mm Ø)
Fixture Weight:	6.0 lbs



SERIES	OPTIONS	TRIM / FINISH	TRIM OPTIONS	FIXTURE LAMPING*	
<b>SG6IN</b> Spectrum Gold 6" Vertical	<b>CB24</b> -C-Channel bars 1-470 <b>CCEA</b> -Chicago Ceiling Plenum CCEA 1-480 <b>CR</b> -Corrosion Resistant 1-460 <b>FS</b> -Fuse holder and fuse <b>IC</b> -Insulation Contact 1-400 <b>PR</b> -Plaster Ring 1-430 <b>RM</b> -Remodeler Housing 1-450 <b>SCA</b> -Slope Ceiling Adaptor 1-435 <b>TBC</b> -T-bar clips 1-475 <b>T277</b> -Step down Transformer 277v to 120v	<b>AR6416-FC</b> -Semi-Diffuse Faceted <b>PF</b> -Polished Flange	<b>GS</b> -Gasket	<b>LAMP</b>	<b>MAX. WATTAGE</b>
				A 19 A 21 PAR 30L R 30 PAR 38 R 40	100w 200w 75w 100w 150w 200w
				*Medium Base	
				*For Available <b>Decorative Architectural Trims</b> , see page 1-490	
<b>SG6IN</b>	<b>CB24</b>	<b>AR6416 FC</b>	<b>GS</b>		

Dimensions shown are nominal. Spectrum Lighting is continually improving products and reserves the right to make changes that will not alter performance or appearance with or without written notice.



<b>PROJECT:</b>	<b>TYPE:</b>
<b>CAT. NO.:</b>	

