



6" VERTICAL FLUORESCENT MULTI-FACETED REFLECTOR

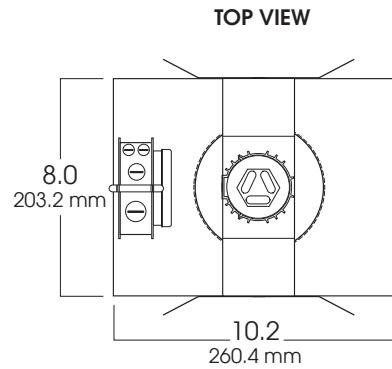
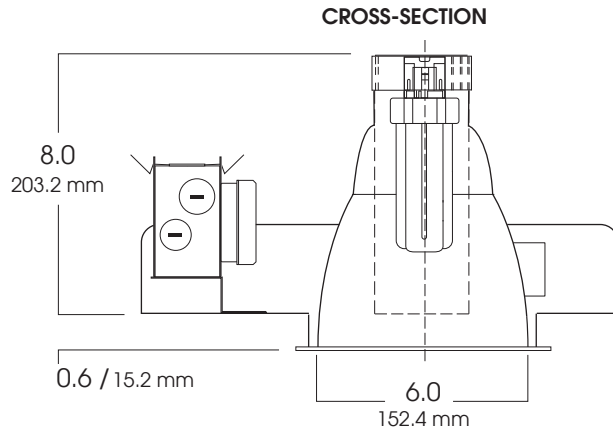
1 x 42 WATT MAX



FEATURES & SPECIFICATIONS:

- 6" aperture series with multi-faceted reflector for distinct look.
- Intended for Non-IC new construction.
For IC applications, refer to page 1-400.
- Frame constructed of 20 ga. galvanized steel.
- Supplied with 27" long, heavy ga. galvanized steel bar hangers.
- Ballasts shall be integrally mounted, electronic sound rated "A", Class P, multi-volt 120v – 277v.
- UL Listed for Damp Locations.

Max Ceiling Thickness: 1.5 (38.1 mm)
Ceiling Cutout: 6.2 Ø (157.8 mm Ø)
Fixture Weight: 4.0 lbs



SERIES	WATTS	BALLAST	OPTIONS	TRIM / FINISH	TRIM OPTIONS
SG6V- Spectrum Gold 6" Vertical	113 118 126 132 142	EX -Electronic, multi-volt 120v thru 277v DA1 -Advance Mark 10™ powerline dimming, 120v ¹ DA2 -Advance Mark 10™ powerline dimming, 277v ¹ DAM7 -Advance Mark 7™ 0-10v dimming, 120v thru 277v DL1 -Lutron Compact SE™ 120v (min. dimming level 5%) ¹ DL2 -Lutron Compact SE™ 277v (min. dimming level 5%) ¹	CB24 -C-Channel bars 1-470 CCEA -Chicago Ceiling Plenum CCEA 1-480 CR -Corrosion Resistant 1-460 EM -Emergency battery pack 1-420 FS -Fuse holder and fuse IC -Insulation Contact 1-400 PR -Plaster Ring 1-430 RM -Remodeler Housing 1-450 TBC -T-bar clips 1-475 TST -Twist-Lok Socket 1-425	AR6416-FC -Semi-Diffuse Faceted PF Polished Flange	GS -Gasket
SG6V	132	EX	EM/	AR6416 FC	GS

¹ Not available for 13w Quad or TRT lamp

Note: White flange is standard.

*For available **Decorative Architectural Trims**, see Page 1-490

Dimensions shown are nominal. Spectrum Lighting is continually improving products and reserves the right to make changes that will not alter performance or appearance with or without written notice.



PROJECT:	TYPE:
CAT.	

