

SPECTRUM
DECORATIVE TRIM
 FROSTED SQUARE w/
 OPEN SQUARE CENTER

1TFGSQOC
SERIES



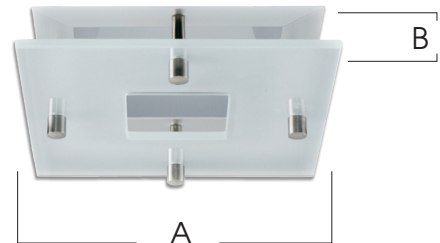
FEATURES:

- 1TFGSQOC offers a hard edged square in glass an open square center.

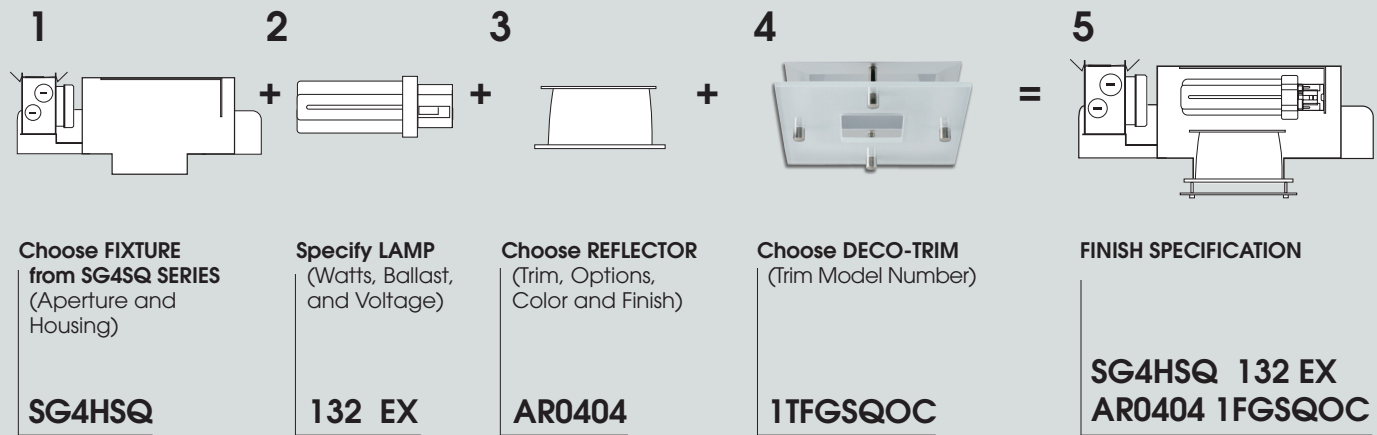
| | |
|--|--|
| DECO-TRIM MODEL # | .25 Soda Lime Standard |
| 1TFGSQOC - Frosted Glass Square with an Open Square Center Tier | BORO -add for Borosilicate (white) Glass <i>Spacers are Chrome</i> |

TRIM DIMENSIONS

| | |
|--------------------|-----------|
| APERTURE | 4" |
| A: Diameter | 6.0 |
| B: Offset | .75 |



SPECIFICATIONS:



Dimensions shown are nominal. Spectrum Lighting is continually improving products and reserves the right to make changes that will not alter performance or appearance with or without written notice.



| | |
|------------------|--------------|
| PROJECT: | TYPE: |
| CAT. NO.: | |





INFINIUM™ LED SERIES 4" SQUARE LED DOWNLIGHT 18 WATT MAX

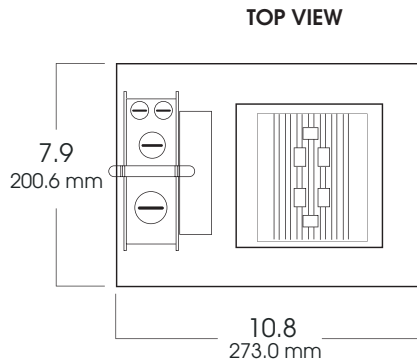
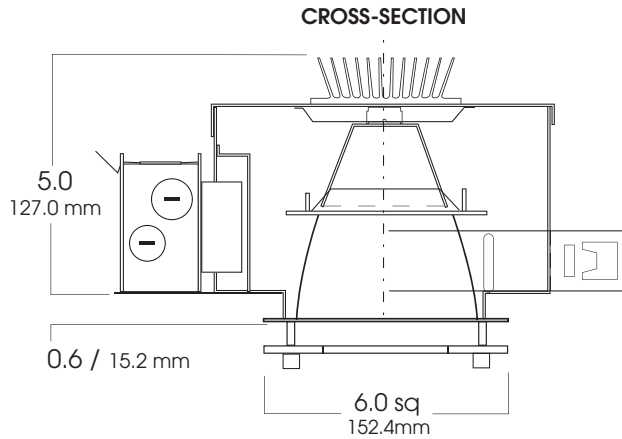
E4SQLED
SPECTRUM
INFINIUM™

FEATURES & SPECIFICATIONS:

- Square 15/18 watt LED downlight series with decorative glass tier.
- All LED modules and drivers are replacable and up-gradeable.
- 50,000 hours rated LED system life.
- Trim supports a variety of lens /accessory options.
- Intended for Non-IC new construction.
- Frame constructed of 20 ga. aluminum.
- Supplied with 27" long, heavy ga. galvanized steel bar hangers.
- Dimming available. (see page 1-444).
- EM available. (see page 1-446).
- Manufactured and built to UL standard No 1598.

Max Ceiling Thickness: 1.5 (38.1 mm)
Ceiling Cutout: 4.6² (116.8 mm)²
Fixture Weight: 6.5 lbs

| KELVIN° | WATTAGE | LUMENS |
|---------|---------|--------|
| 27K° | 15W | 780 |
| | 18W | 1100 |
| 31K° | 15W | 925 |
| | 18W | 1220 |
| 35K° | 15W | 1050 |
| | 18W | 1350 |
| 41K° | 15W | 1180 |
| | 18W | 1475 |



*Other wattages and Color temps (K°) available. Contact Factory

| SERIES | LED | KELVIN | VOLTAGE | OPTIONS | TRIM / FINISH | TRIM OPTIONS |
|--|------------|--------------|---|---|--------------------------------------|---|
| SGE4SQLED- Spectrum Infinium 4" LED Square Downlight | 15w | 27K -2700° K | E1 -Electronic,120V | IC -Insulated Ceiling | AR0404LED-MW -Matte White (standard) | SO -Micro Prism Solite™ lens (standard) |
| | 18w | 31K -3100° K | E2 -Electronic,277V | BH6 -Expandable Bar Hangers, 6" - 12" | SG -Semi-Diffuse Low Iridescent | PG -Prismatic Glass Lens |
| | | 41K -4100° K | DL1(TRO) -Tropo Dimming 120v (20%) | BH12 -Expandable Bar Hangers, 12" - 24" | HZ -Matte Low Iridescent | GL -Clear Glass Lens |
| | | | DL1(L3D) -Lutron HI-Lume™ 120v (dimming level 1%) | CB24 -C-Channel bars (1-470) | WE -Wheat Alzak | FG -Frosted Glass Lens |
| | | | DL2(L3D) -Lutron HI-Lume™ 277v (dimming level 1%) | FS -Fusing | MB -Matte Black | GS -Gasket |
| | | | Dimming: See Page 1-444 | CCEA -Chicago Ceiling Plenum CCEA (1-480) | CC -Custom Color | WL -Wet Location |
| | | | | CR -Corrosion Resistant (1-460) | PF -Polished Flange | ITFGSQOC -Frosted Square Open Center Tier |
| | | | | PR -Plaster Ring (1-430) | WF -White Flange | NS -No Spacer (for flush to angle mounting) |
| | | | | TBC -T-bar clips (1-475) | | |
| | | | | EMLED -Emergency Back-up Battery (1-423) | | |
| | | | | GR -Goof Ring (1-470) | | |
| | | | | SCA -Slope Ceiling Adaptor (1-435) | | |
| SGE4SQLED | 18W | 31K | E1 | EMLED | AR0404LED SG | 1ITFGSQOC |

Dimensions shown are nominal. Spectrum Lighting is continually improving products and reserves the right to make changes that will not alter performance or appearance with or without written notice.

| | |
|-----------------|--------------|
| PROJECT: | TYPE: |
| CAT. | |



994 Jefferson Street, Fall River, MA 02721 508.678.2303 FAX 508.678.2260

