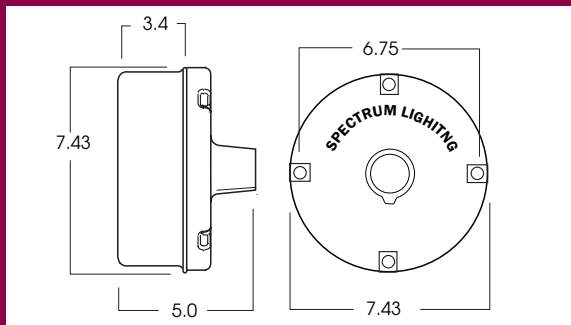


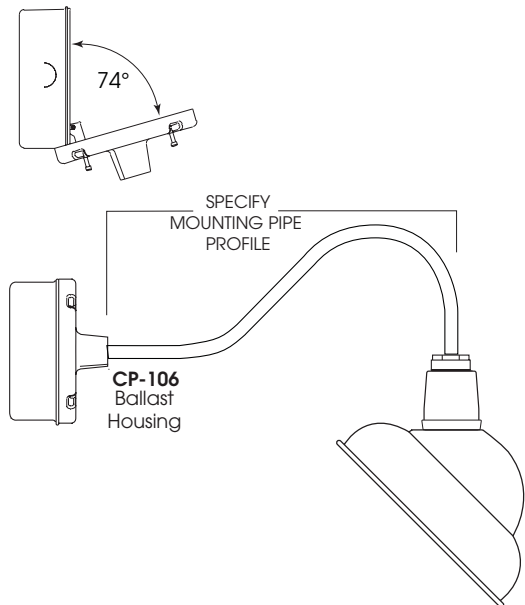
# WALL MOUNTING BALLAST COMPARTMENT CP106

# RLM SERIES



## PRODUCT INFORMATION:

- New CP106 combination ballast housing/mounting bracket for Spectrum RLM fixtures.
- Eliminates CP6, CP10, CP11 separate ballast housings and pipe support.
- Integral level.
- Die cast aluminum and stainless steel with powdercoat finish.
- CP106 housing mounts to wall and hinges open for easy wiring and ballast maintenance.
- Available with side KO's as a special.
- Wet Location Listed.
- Manufactured and built to UL standard No 1589.



## ORDERING CP106 (for wall mounted fixtures with ballasts)

MODEL	WATTS	BALLAST	LAMP ENCLOSURE	MOUNTING	FINISH***
Select Model No and Lamp Type	Choose Lamp Wattage	EX -Specify Ballast	GJ1 -Specify Lamp enclosure	<b>WALL MOUNT</b> <b>PA23</b> - See RLM Mounting Page for available arm options <b>CP106</b> -New universal Wall Pipe Interface /Ballast Compartment	<b>SELECT FINISH</b> <b>GW</b> -Gloss White <b>BZ</b> -Bronze ** -***To Match Fixture
<b>EB910CF</b>	<b>26</b>	<b>EX</b>	<b>GJ1</b>	<b>PA23/CP106</b>	<b>BZ</b>

Dimensions shown are nominal. Spectrum Lighting is continually improving products and reserves the right to make changes that will not alter performance or appearance with or without written notice.



<b>PROJECT:</b>	<b>TYPE:</b>
<b>MODEL NO.:</b>	

