

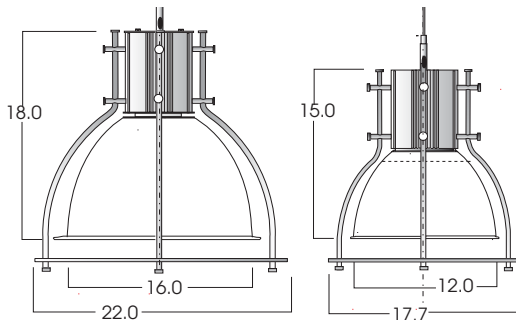
# SPECLUME "TECH" PENDANTS ALUMINUM REFLECTOR



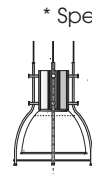
Tech pendants feature extruded ballast housing with decorative chrome arms supporting glass or metal tier.

## FEATURES:

- Spun aluminum reflector.
- Relamping and maintenance from below fixture.
- Dimming available for compact fluorescent- consult factory
- 20 Powdercoat colors available. Natural finish is standard.
- Prismatic refractor available
- Choice of mounting options and mounting systems
- Damp location listed.
- Manufactured and tested to UL standard No. 1598. UL listed
- **Made in USA**



MODEL NO	WATTAGE BALLAST	OPTIONS	TIER OPTIONS	MOUNTING	FINISH	
<b>ATXAL12CF</b> 12" X 8" CF	<b>1 to 4 CF</b> up to <b>42W</b>	<b>EX-</b> Electronic 120/277	<b>FS-</b> Fusing <b>EM-</b> Emergency Ballast (Remote)	<b>CFG-</b> Center Frosted Glass tier <b>FGR-</b> Frosted Glass Ring <b>1MR-</b> Single Metal Ring- Specify Finish	<b>HM*</b> - Hang Straight Pendant. <b>CD*</b> - Aircraft Cable, Straight Cord <b>CC-</b> Coil Cord <b>CD4X*</b> - Cable from each of 4 rods	<b>MT-</b> Mini Tek Silver (Standard) <b>TW-</b> Textured White <b>BT-</b> Mini Tek Black **- Custom Finish Consult the Factory
<b>ATXAL16CF-</b> 16" X 11" CF	<b>1 to 6 CF</b> up to <b>42W</b>		<b>DA1-</b> Advance MK10 Dimming 120 <b>DA2-</b> Advance MK10 Dimming 277			
<b>ATXAL12MH</b> 12" X 8" MH	<b>1 lamp</b> up to <b>70 W</b>	<b>EX-</b> Electronic 120/277 to 100w				
<b>ATXAL16MH-</b> 16" X 11" MH	<b>1 lamp</b> up to <b>100W</b>	<b>H1-</b> 120V <b>H2-</b> 277 V				
<b>ATXAL12IN</b> 12" X 8" IN	<b>1 lamp</b> up to <b>100 W</b>					
<b>ATXAL16IN-</b> 16" X 11" IN	<b>1 lamp</b> up to <b>150W</b>					
<b>EXAMPLE:</b> <b>ATXAL16CF</b>	<b>442</b>	<b>EX</b>		<b>CFG</b>	<b>HM36</b>	<b>TW</b>



PROJECT:

TYPE:

CATALOG NO.: