

**FEATURES:**

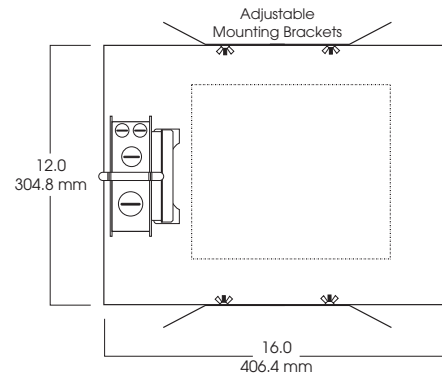
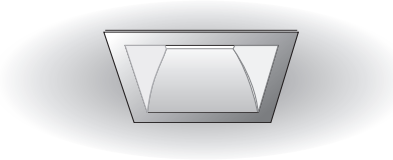
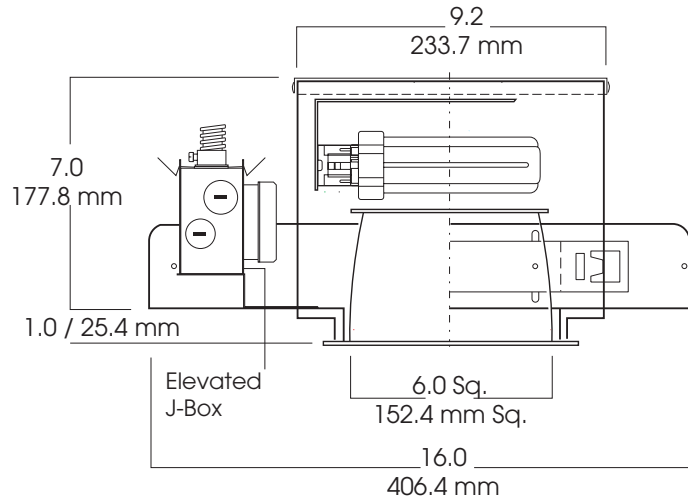
- 6" Square aperture.
- QPL & PLT lamps up to 2x42 watts.
- Optically stable, .032 reflector.
- Square semi-specular aperture.
- Low iridescence finish on reflector.
- Specular clear Alzak standard.
- White flange.
- 18 Gauge galvanized architectural frame.
- Adjustable mounting ears.
- 27" Mounting bars or T-bar clips available.
- *Electronic 120/277 ballast (4 pin), mounted to junction box, standard*
- Junction box pre-wired, grounded, listed for thru-wiring.
- Damp location listed.
- Manufactured and tested to UL standard No. 1598. ETL Listed.

**OPTIONS:**

- FS-** Fusing.
- EM-** Emergency ballast
- GL-** Clear Glass Lens.
- PA-** Prismatic Acrylic Lens.
- PG-** Prismatic Glass Lens.
- D-** Dimming ballast-Lutron/Advance. Consult factory.
- BH27-** 27" Mounting bars
- TBC-** Clips for T-bar installation (4 supplied).
- CP-** Chicago Ceiling Plenum CCEA
- GS-** Gasket for use with reflector at ceiling level.

Dimensions shown are nominal. Spectrum Lighting is continually improving products and reserves the right to make changes that will not alter performance or appearance.

**6" HORIZONTAL FLUORESCENT SQUARE APERTURE 2 X 42 WATT MAX**



SERIES	WATTS	VOLTAGE	OPTIONS	REFLECTOR/FINISH
<b>SG6HSQ</b>				<b>AR0606/</b>
<b>SG6HSQ-Spectrum Gold</b>	1 or 2- <b>13</b> 1 or 2- <b>18</b> 1 or 2- <b>26*</b> 1 or 2- <b>32</b> 1 or 2- <b>42</b>	<b>EX-</b> 120/277 4-pin (standard) <b>D1-</b> Dim 120 <b>D2-</b> Dim 277	<b>FS-</b> Fusing <b>EM-</b> Emergency <b>GL-</b> Clear Glass Lens <b>PA-</b> Prismatic Acrylic Lens <b>PG-</b> Prismatic Glass Lens <b>BH27-</b> 27" Mounting Bars <b>TBC-</b> T-Bar Clips (4) <b>CP-</b> Chicago Ceiling Plenum CCEA <b>GS-</b> Gasket	<b>AR0606-</b> 1 or 2 lamps 13 Watt- 18 Watt 1 lamp 26 Watt- 42 Watt PLT only <b>CL-</b> Clear Alzak <b>WH-</b> Painted White <b>SG-</b> Soft Glow Finish

EXAMPLE:SG6HSQ126EXBH27AR0606CL: 6" Square Aperture horizontal fluorescent downlight. 1-26 watt PLT lamp, dual voltage electronic ballast, 27" mounting bars, clear Alzak reflector.



**SPECTRUM LIGHTING, INC.**

COMMERCIAL & ARCHITECTURAL LIGHTING 994 Jefferson Street . Fall River, MA 02721 . 508.678.2303 FAX 508.678.2260