



INFINIUM™ LED SERIES
REMOTE PHOSPHOR WALL WASH
34 WATT MAX



FEATURES & SPECIFICATIONS:

- Round remote phosphor wall wash series.
- Wall Wash 360™ features rotating wall wash trim for quick alignment of reflector.
- Available in 4", 5", 6" Apertures.
- 50,000 hours rated LED system life.
- Intended for Non-IC new construction.
- Frame constructed of 20 ga. galvanized steel
- Supplied with 27" long, heavy ga. galvanized steel bar hangers.
- Dimming available. (see page 1-444).
- EM available. (see page 1-446).
- Manufactured and built to UL standard No 8750.

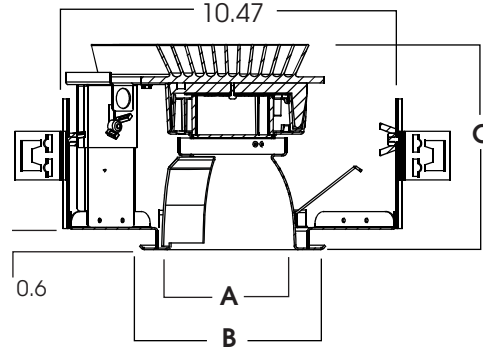
Max Ceiling Thickness:	1.5 (38.1 mm)
Ceiling Cutout:4"	4.6 Ø (116.8 mm Ø)
Ceiling Cutout:5"	5.6 Ø (142.2 mm Ø)
Ceiling Cutout:6"	6.6 Ø (167.6 mm Ø)
Fixture Weight:	4.7 lbs



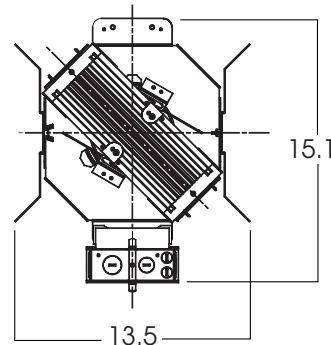
WALL WASH 360™

Wall wash trim rotates 360° for ease of installation and aiming flexibility.

CROSS-SECTION



TOP VIEW



	A	B	C
SGW4LEDFD	3.8	5.7	5.7
SGW5LEDFD	5.0	6.7	5.7
SGW6LEDFD	6.0	7.7	5.7

SERIES	LED	KELVIN	VOLTAGE	OPTIONS	TRIM / FINISH	TRIM OPTIONS
SGW4LEDFD Spectrum Infinium 4" LED Wall Wash 360	19W (1100 lumens) 23W (1300 lumens)	30K -3000° K 35K -3500° K 41K -4100° K	E1 -Electronic, 120V E2 -Electronic, 277V DS101 -Dimming 0 to 10 120v DS102 -Dimming 0 to 10 277v	BH6 -Expandable Bar Hangers, 6" - 12" BH12 -Expandable Bar Hangers, 12" - 24" CB24 -C-Channel bars (1-470) FS -Fusing CCEA -Chicago Ceiling Plenum CCEA (1-480) CR -Corrosion Resistant (1-460) PR -Plaster Ring (1-430) TBC -T-bar clips (1-475) EMLED -Emergency Back-up Battery (1-423) GR -Goof Ring (1-470) ECB -Eco Black Powdercoat	AR4490FD MW -Matte White (4") SG -Semi-Diffuse Low Iridescent HZ -Matte Low Iridescent WE -Wheat Alzak AR5490FD MB -Matte Black (5") CC -Custom Color PF -Polished Flange WF -White Flange AR6490FD (6")	SO -Micro Prism Solite™ lens GL -Clear Glass Lens FG -Frosted Glass Lens GS -Gasket WL -Wet Location
SGW5LEDFD Spectrum Infinium 5" LED Wall Wash 360	34W (2000 lumens)					
SGW6LEDFD Spectrum Infinium 6" LED Wall Wash 360						
SGW4LEDFD	19W	30K	E1	ECB	AR4490FD SG	

Dimensions shown are nominal. Spectrum Lighting is continually improving products and reserves the right to make changes that will not alter performance or appearance with or without written notice.



PROJECT:	TYPE:
CAT. NO.:	

