

FEATURES:

- Precise reflector/splay combination optimizes light output.
- Specular clear reflector standard.
- 1, 2 or 3 horizontal compact fluorescent lamps.
- QPL or PLT up to 57 watts.
- Lens in splay insert may be gasketed.
- Regressed appearance.
- 18 Gauge galvanized architectural frame.
- Adjustable mounting ears.
- 27" Mounting bars or T-bar clips available.
- *Electronic 120/277 ballast (4 pin), mounted to junction box, standard.*
- Junction box pre-wired, grounded, listed for thru-wiring.
- Damp location listed. Wet location available.
- Available for Chicago Ceiling Plenum construction (consult factory).
- Manufactured and tested to UL standard No. 1598. ETL Listed.

OPTIONS:

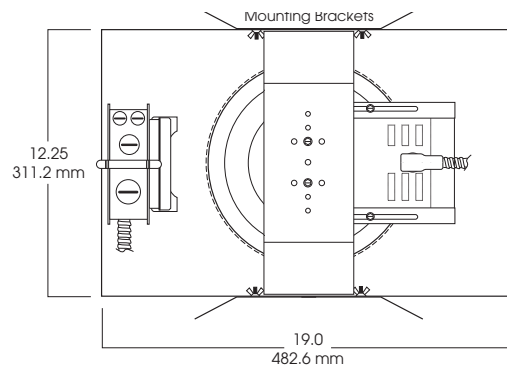
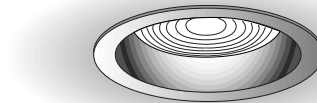
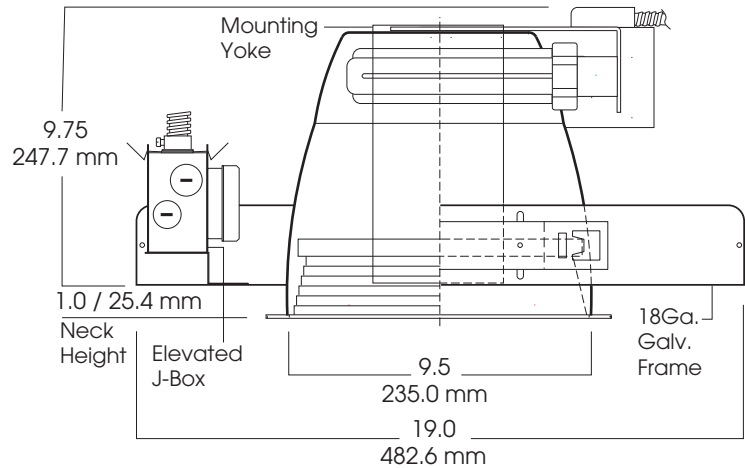
- FS-** Fusing.
- EM-** Emergency ballast.
- D-** Dimming ballast-Lutron/Advance. Consult factory.
- WL-** Wet location. Special gasketing and installation for wet locations.
- TP-** Tamper Proof
- BH27-** 27" Mounting bars.
- TBC-** Clips for T-bar installation (4 supplied).
- GS-** Gasket for use with reflector at ceiling level and with lens in splay.

Dimensions shown are nominal. Spectrum Lighting is continually improving products and reserves the right to make changes that will not alter performance or appearance.

10" HORIZONTAL FLUORESCENT LENS/SPLAY

3 X 42 WATT MAXIMUM

10H
SERIES



SERIES	WATTS	VOLTAGE	OPTIONS	REFLECTOR	SPLAY	LENS
SG10H						
SG10H-	1,2, or 3- 18	EX- 120/277	FS- Fusing	AR9520- 1,2 or 3	CS- Clear Alzak	FL- Fresnel Lens
Spectrum	1,2, or 3- 26*	4-pin	EM- Emergency	26 Watt	White Flange	GL- Clear
Gold	1,2, or 3- 32	(standard)	WL- Wet	AR9620- 1,2 or 3	WS- White Splay	Tempered
10"	1,2, or 3- 42	D1- Dim 120	Location	32 Watt	White/Flange	Glass
Horizontal	1 or 2- 57	D2- Dim 277	TP- Tamper Proof	57 Watt	RB- Regressed	FG- Frosted Glass
Fluorescent	*specify PLT or QPL lamps		BH27- 27" Mounting Bars		Black/White Flange	PA- Prismatic Acrylic
			TBC- T-Bar Clips (4)		RW- Regressed Micro Baffled Splay White/White Flange	PG- Prismatic Glass
			GS- Gasket			PP- Prismatic Polycarbonate
						PC- Clear Polycarbonate Underlay

EXAMPLE: SG10H242EXBH27AR9620WSFL: 10" Aperture horizontal fluorescent regressed lensed splay, 2-42 Watt PLT lamps, dual voltage electronic ballast, 27" mounting bars, white splay, white flange, fresnel lens.



994 Jefferson Street . Fall River, MA 02721 . 508.678.2303 FAX 508.678.2260