

FEATURES:

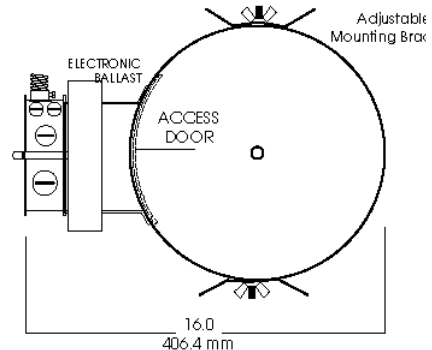
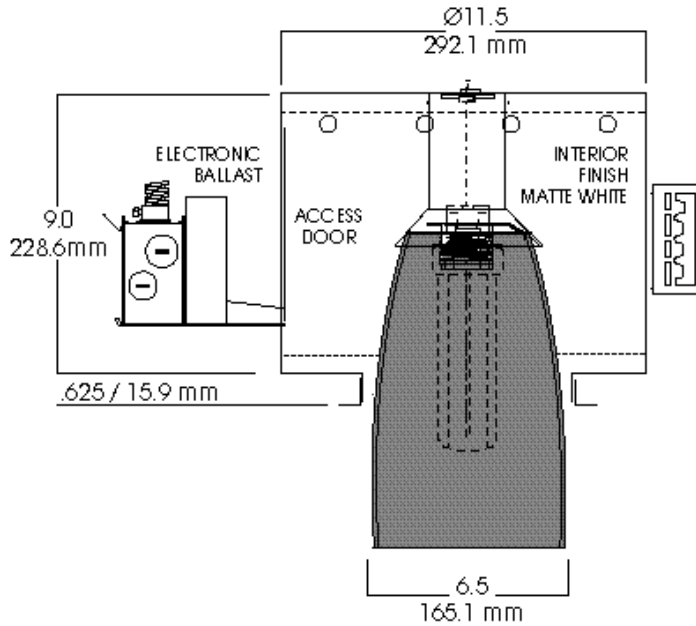
- Vertical compact fluorescent lamp with Twist-Lok socket up to 57 watts.
- Interior of housing finished matte white.
- 18 Gauge galvanized architectural frame.
- Adjustable mounting ears.
- 27" Mounting bars or T-bar clips available.
- *Electronic 120/277 ballast (4 pin), mounted to junction box, standard.*
- Junction box pre-wired, grounded, listed for thru-wiring.
- Damp location listed.
- Available for Chicago Ceiling Plenum construction (consult factory).
- UL Listed.

OPTIONS:

- FS-** Fusing.
- EM-** Emergency ballast.
- D-** Dimming ballast-Lutron/Advance. Consult factory.
- BH27-** 27" Mounting bars.
- TBC-** Clips for T-bar installation (4 supplied).
- GS-** Gasket for use with reflector at ceiling level.
- CP-** Chicago Ceiling Plenum CCEA.
- DP0710DR-** Orange semi recessed glass diffuser.

Dimensions shown are nominal. Spectrum Lighting is continually improving products and reserves the right to make changes that will not alter performance or appearance.

**7" VERTICAL FLUORESCENT
ORANGE GLASS DIFFUSER
1 X 57 WATT MAXIMUM**



**SERIES
SGD7SV**

SGD7SV-
Spectrum
Gold
7"
Vertical
Fluorescent
Blown Glass
Diffuser

WATTS

26TST
32TST
42TST
57TST
Twist-Lok
sockets

VOLTAGE

EX- 120/277
4-pin
(standard)
D1- Dim 120
D2- Dim 277

OPTIONS

FS- Fusing
EM- Emergency
BH27- 27" Mounting
Bars
TBC- T-Bar Clips(4)
***TST-** Twistlok socket
for floor level re-
lamping
DP0710DR- Orange
semi recessed
glass diffuser.

EXAMPLE:SG7V42EX/TST/DP0710OR: 7" Aperture downlight, 42watt PLT vertical fluorescent with twist lok socket, dual voltage electronic ballast. Hand blown tangerine orangeglass trim. White interior.

