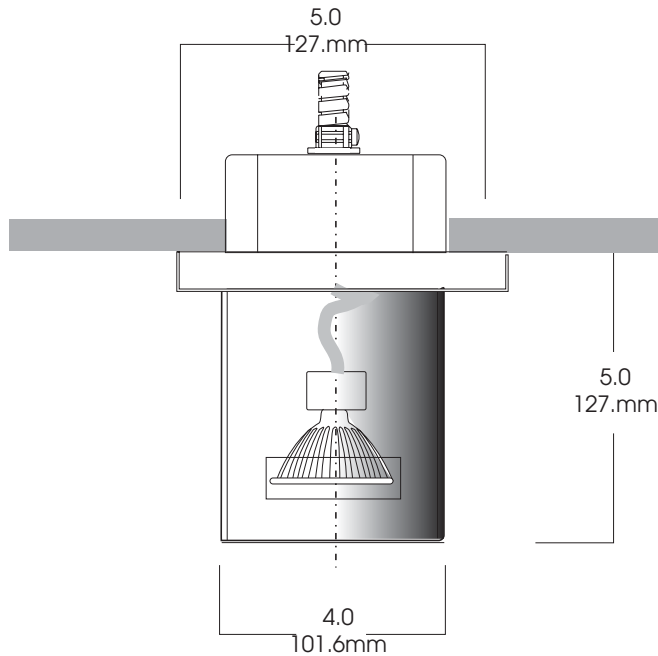


NOTE: CANOPY DEPTH MAY VARY TO ACCOMMODATE BALLAST/TRANSFORMER



FRAME OPTIONS

FIXTURE	WATTAGE	BALLAST	TRANSFORMER	LAMP TYPES	FINISH
SPC0405SQ/MH	20W max	E1-120V Electronic		CMH16	MT- Mini Tek Silver (standard)
SPC0405SQ/LV	50W max		E1-120V Electronic	MR-16	MT- Mini Tek Silver (standard)
SPC0405SQ/LED	3W max		E1-120V Electronic	LED	MT- Mini Tek Silver (standard)
SPC0405SQ/IN	50W max			PAR16/20	MT- Mini Tek Silver (standard)

TYPICAL MODEL NO: SPC0405SQ/IN/PAR20/SM/MT

PRODUCT INFORMATION _____

- Designer series mini square cylinder for accent usage.
- Extruded aluminum square.
- Available with powder coat finishes (minitek silver-standard).
- Suitable for damp locations.
- Manufactured and tested to UL standard No. 1598/ETL Listed.

OPTIONS _____

- SM** - Surface/ Ceiling Mount
- PM** - Pendant Mount (Specify Length)
- WM** - Wall Mounted

SUBMITTAL WORKSHEET

FIXTURE NO.
JOB NAME
FIXTURE TYPE