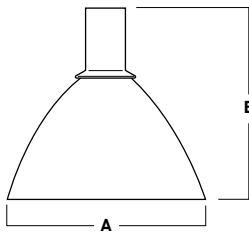




12" ALUMINUM PENDANT
INCANDESCENT
 ICON



| A | B |
|----------|----------|
| 12.0 | 13.5 |
| 304.8 mm | 342.9 mm |

PROJECT: _____
 QUANTITY: _____ TYPE: _____

DP12ALINC

APPLICATION

The Icon Pendant series features curved hand spun aluminum shade for decorative area lighting. INC Series is designed for indoor damp locations.

FEATURES

Speculume series fixtures offer contemporary style with functional luminaire performance. Icon pendants are available in 7" and 12" sizes. Decorative elements are available on some models. Separate finishes may be chosen for fixture and mounting. A variety of mounting and finish options available.

FINISH

Multi-stage polyester powder-coat process applied on our dedicated paint lines. A wide variety of standard and custom finishes are available. All exposed materials are chromate pre-treated to resist corrosion. Interior is Matte White unless specified. Custom Color interior finishes available.

ELECTRONICS

E26 Edison medium base 120V socket for incandescent or LED lamps.

CONSTRUCTION

Fixtures are spun in our factory from 0.063 high purity aluminum.

CODE COMPLIANCE

BAA compliant. ETL certified to meet US and Canadian standards. Suitable for dry or damp locations. Manufactured and tested to UL standards No. 1598/8750

| SERIES | MOUNTING/OPTIONS ¹ | INTERIOR ² | FINISH ³ |
|------------------|---|---|---|
| DP12ALINC | CD_2 Cord and Cable Mount CM_2 Cord Mount HM_2 Hang Straight Pendant AT_2 Hang Straight All Thread PM_2 Pendant/Straight Mount FS Fuse Holder and Fuse | MW⁴ Matte White CCI Custom Color FCI Fixture Color Interior | MW⁴ Matte White MB⁴ Matte Black PT⁴ Platinum Silver CC Custom Color |
| | | See Page 3 for Full Range of Color Options (83-90081) | See Page 3 for Full Range of Color Options (83-90081) |

EXAMPLE: DP12ALINC/CD36MWIMB

NOTES:
 1 See Mounting Pages Options and Details on Components and Finishes 2 Specify Length in Inches: See Mounting Page for Available Lengths
 3 See Color Page for More Options/Consult Factory for Special Finishes 4 Standard Finish

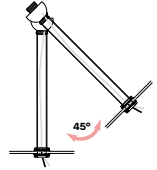
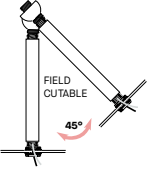
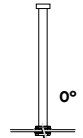
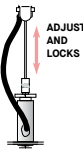



MOUNTING & ACCESSORIES

SOME OPTIONS NOT AVAILABLE ON ALL FIXTURES. CONSULT SPECIFICATION SHEETS. SEE INDIVIDUAL SPECIFICATION SHEETS OR CONSULT FACTORY FOR ADDITIONAL INFORMATION.
NOTE: THIS IS TYPICAL OF SPECLUME SPECIFICATION FOR PENDANT MOUNTING. INDIVIDUAL FIXTURES OR PROJECTS MAY HAVE SPECIALIZED REQUIREMENTS.



CEILING MOUNTING

| | | | | |
|--|--|--|---|---|
| <p>HM* HANG STRAIGHT 45° SWIVEL 1/2" STEM - 3/8" NPT</p>  <p>ORDER: HM (Length) SPECIFY LENGTH: HM3 - 3" HM24 - 24" HM6 - 6" HM36 - 36" HM12 - 12" HM48 - 48" HM18 - 18" HM72 - 72" HMLC(XX) Custom Length (Specify in Inches)</p> | <p>AT** HANG STRAIGHT ALL THREAD 45° SWIVEL 5/8" OD STEM - 1/4" IP</p>  <p>ORDER: AT (Length) SPECIFY LENGTH: AT12 - 12" AT48 - 48" AT24 - 24" AT60 - 60" AT36 - 36" AT72 - 72" <small>FIELD CUT INCREASED PIPE LENGTH NEEDED CUT PIPE COVER OR SHORTER THAN INCREASED PIPE SPLIT PIPE COVER OVER INCREASED PIPE</small></p> | <p>PM* RIGID PENDANT MOUNT RIGID 1/2" STEM - 3/8" NPT</p>  <p>ORDER: PM (Length) SPECIFY LENGTH: PM3 - 3" PM24 - 24" PM6 - 6" PM36 - 36" PM12 - 12" PM48 - 48" PM18 - 18" PM72 - 72" PMLLC(XX) Custom Length (Specify in Inches)</p> | <p>CD CORD / CABLE MOUNT SJ CORD WITH 1/16 SS CABLE</p>  <p>ORDER: CD (Length) SPECIFY LENGTH: CD36 - 36" CD72 - 72" CD144 - 144" CDLC(XX) Custom Length (Specify in Inches)</p> | <p>CM CORD MOUNT SJ CORD WITH STRAIN RELIEF</p>  <p>ORDER: CM (Length) SPECIFY LENGTH: CM36 - 36" CM72 - 72" CM144 - 144" CMLC(XX) Custom Length (Specify in Inches)</p> |
|--|--|--|---|---|

*MAXIMUM ONE PIECE STEM LENGTH IS 72". **MAXIMUM ONE FIELD PIECE STEM LENGTH IS 36". LONGER LENGTHS ARE POSSIBLE USING MULTIPLE STEMS AND COUPLERS.
**ORDER IN 12" INCREMENTS, ODD SIZES MAY BE FIELD CUT

COLOR OPTIONS - POWDER COAT PAINT FINISHES

NOTE: NO PRINTED IMAGE CAN EQUAL THE EXACT COLOR OF FINISH ON METAL.
SEE INDIVIDUAL SPECIFICATION SHEETS OR CONSULT FACTORY FOR ADDITIONAL INFORMATION.



STANDARD CORD / STEM / CANOPY FINISHES

| FIXTURE COLOR | STANDARD CORD COLOR | STANDARD CANOPY / STEM COLOR |
|--|---------------------|------------------------------|
| Matte White, Textured White | Matte White | Matte White |
| Gloss White | Matte White | Gloss White |
| Matte Black, Gloss Black, Textured Black | Matte Black | Matte Black |
| All Others | Matte Black | Same Color as Fixture |
| Custom Color | Contact Factory | Contact Factory |

PAINT TIMES

| TIER | COST | AVERAGE PAINT TIME* |
|----------------------------|-----------------|---------------------|
| Tier 1 - Standard Finishes | \$ | ⌚ |
| Tier 2 - Typical Finishes | \$\$ | ⌚⌚ |
| Custom Color | Contact Factory | Contact Factory |

*CONTACT FACTORY FOR SPECIFIC PRODUCT LEAD TIMES

TIER 1 - STANDARD FINISHES



TIER 2 - TYPICAL FINISHES



CUSTOM COLOR FINISHES

CONTACT FACTORY

CC
Custom Color



*UNAVAILABLE FOR WET LOCATION

