

All the described operations of this instructions page must be done by specialized personnel only. Exclude voltage plant. Please respect national installation regulations. The manufacturer allows to use only OT/HOT parts in applications where its track system is used. These parts must be installed according to the installation instructions. The company as a manufacturer is not responsible for the safety and functioning of the OT/HOT system if parts not belonging to it are used or if any deviation from the installation instructions occurs. It is then the user's responsibility to ensure the electrical, mechanical and thermal compatibility between OT/HOT system and the fixtures used with it. On OT/HOT tracks one can use only OT/HOT connections. OT/HOT connections can be used only with OT/HOT tracks. Do not exceed listed loading indicated in the relevant section and respect fixing distances during the track mounting. It is strictly forbidden to use any kind of solvent, glue, oil, grease or cleaner in contact with OT/HOT system components. The company is not responsible for any damage caused by the use of the materials mentioned above.

### 1 - OT/HOT-S

### 2 - USE

### 1 - OT/HOT-R2

### 2 - USE

### 3 - OTO2/HOTO2...;OTO1/HOTO1...

M max: 1 Nm

M max: 1 Nm

#### 250V

#### 440V

#### OTO2/HOTO2...

#### OTO1/HOTO1...

M max: 0,2 Nm

2

M max: 0,5 Nm

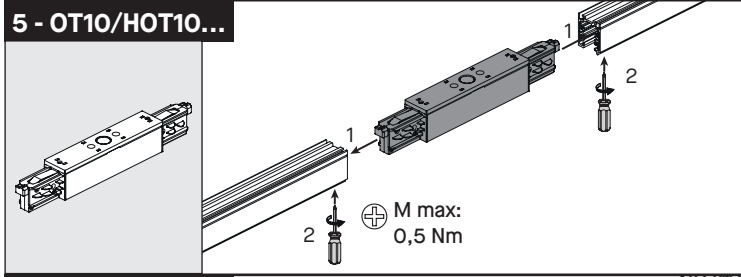
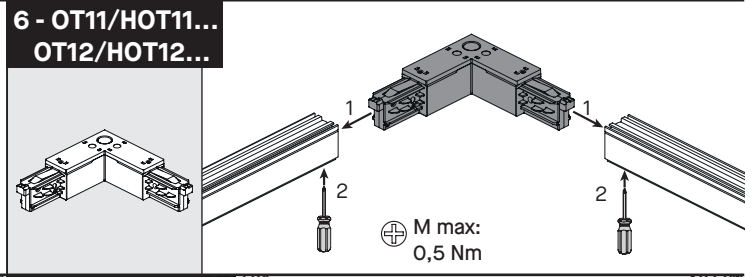
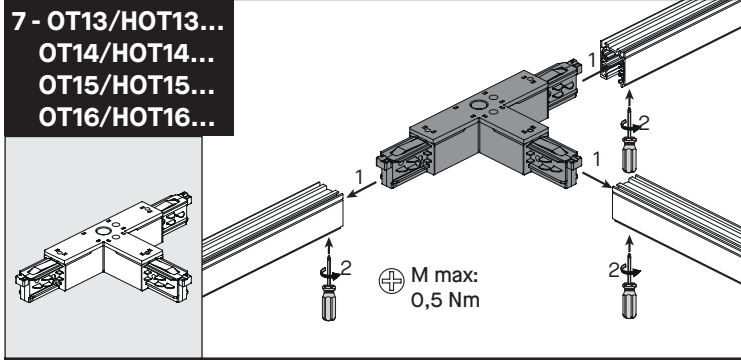
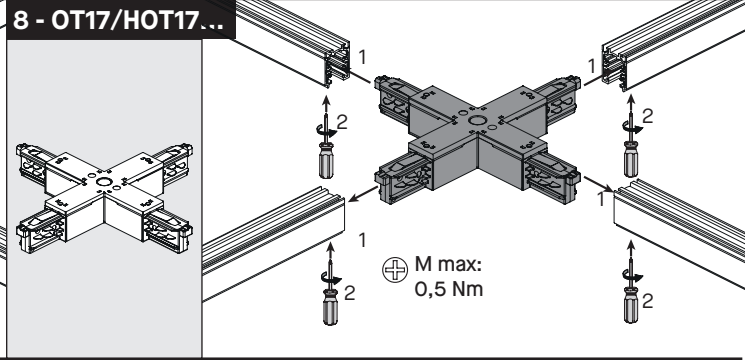
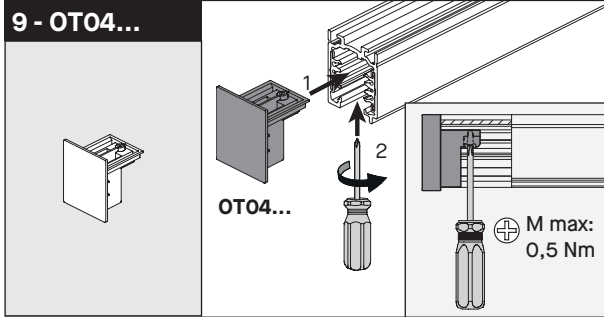

3

### 4 - CUTTING

2

SPECLIGHT.COM • 994 JEFFERSON ST. FALL RIVER, MA 02721 • 508.678.2303

RA

<p><b>5 - OT10/HOT10...</b></p>  <p>M max: 0,5 Nm</p>	<p><b>6 - OT11/HOT11... OT12/HOT12...</b></p>  <p>M max: 0,5 Nm</p>
<p><b>7 - OT13/HOT13... OT14/HOT14... OT15/HOT15... OT16/HOT16...</b></p>  <p>M max: 0,5 Nm</p>	<p><b>8 - OT17/HOT17...</b></p>  <p>M max: 0,5 Nm</p>
<p><b>9 - OT04...</b></p>  <p>OT04...</p> <p>M max: 0,5 Nm</p>	<p><b>10 - ADAPTERS</b></p>  <p><b>OT2D</b> SURFACE / SUSPENDED / RECESSED 120V 2 CIRCUIT / 2 NEUTRAL 0-10V CONTROL</p> <p><b>HOT2D</b> SURFACE / SUSPENDED / RECESSED 277V 2 CIRCUIT / 2 NEUTRAL 0-10V CONTROL</p>