

4" SQUARE LED TRIMLESS DOWNLIGHT

DYNAMIC DIMMING

LU SERIES / 1600 LUMENS MAX LED



SDZO4LEDLU - TRIMLESS / NON-IC RATED

APPLICATION

4" Square LU LED downlight with flangeless trim platform. Kelvin Tunable (K+) white light LED system that warms as it dims from 3050K at full intensity to 1800K at 1% intensity.

FEATURES

Two-stage optical system for smooth light distribution and focus control. Quick change LED module with interchangeable optics for job site adjustment and fixture maintenance. Shallow plenum design. Tool-less driver and j-box access. Posi-lock trim retention torsion springs. Integral 0.625" collar with deep ceiling option for up to 2" thick ceiling (PR).

TRIM FINISH

A variety of architectural powdercoat colors are available. Plaster mesh fitter included.

ELECTRONICS

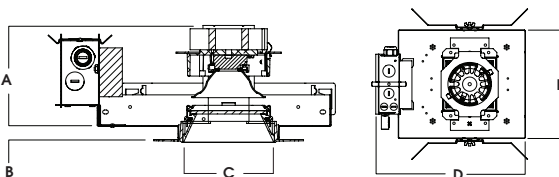
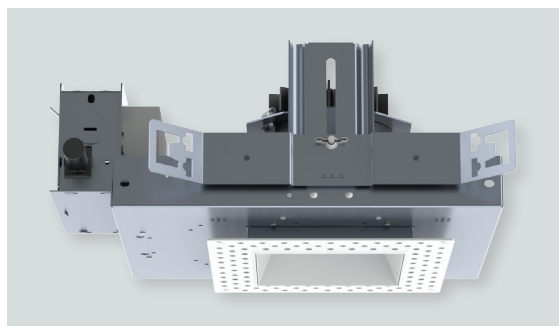
LED system features LED module with proprietary technology that provides consistent, stable color over life of the light engine. Base CRI is 90 with <2 MacAdam Ellipse binning. Variety of dimming controls (by Others). DCA is a digital control adapter which enables fixtures powered by EcoSystem® lighting protocol to be converted to a digital link.

CONSTRUCTION

Housing/frame constructed of #20 ga. galvanized steel to resist corrosion. Flangeless one piece trim high purity aluminum and finished to specification.

CODE COMPLIANCE

ARRA Compliant. Non-IC rated. ETL listed for damp locations. Optional Wet location. Manufactured and tested to UL standards No. 1598/8750.



A	B	C	D	E
6.1 154.9 mm	.625 15.2 mm	4.0 101.6 mm	DU: 13.2 DL3E: 14.7	9.5 241.3 mm

WATTAGE TO LUMENS UPDATE			
CURRENT PART NUMBER EXAMPLE	PREVIOUS PART NUMBER EXAMPLE	SOURCE LUMENS ¹	SYSTEM WATTS
SDZO4LEDLU13L	SDZO4LEDLU20W	1300	25
SDZO4LEDLU16L	SDZO4LEDLU30W	1600	32

RECESSED HOUSING SPECIFICATION								LED TRIM SPECIFICATION						
SERIES	LUMENS ¹	CCT / HUE	BEAM	CONTROL / VOLTAGE ²		OPTIONS		TRIM / FINISH ⁶			TRIM OPTIONS ⁹			
SDZO4LEDLU	13L 16L	1300 Lm 1600 Lm	30DDM 30K - 18K	ND MD WD XW	20° 30° 40° 50°	DU DL3E ₃	1% 0-10V Dimming ECO System Dimming	1 120v 2 277v	BH27 ⁴ H12 H06 CB24 EB PR ⁵	27" Flat Stock Hangers Expandable Bar Hangers, 12" - 24" Expandable Bar Hangers, 6" - 12" C-Channel Bars Black Housing Deep Ceiling Extension	SD4N ⁷ MW ⁸ MB AC AS PT OB CH AS AM SN CO GH AMB CC	Matte White Matte Black Anodic Champagne Anodic Sapphire Platinum Silver Oil Rubbed Bronze Charcoal Anodic Sapphire Anodic Malachite Sun Gold Copper Metallic Graphite Anti Microbial Finish Custom Color	SOX ¹⁰ PGX GLX FGX SOW PGW GLW FGW	Micro Prism Solite™ Lens Prismatic Glass Lens Clear Glass Lens Frosted Glass Lens Micro Prism Solite™ Lens Wet Location Prismatic Glass Lens Wet Location Clear Glass Lens Wet Location Frosted Glass Lens Wet Location

EXAMPLE: SDZO4LEDLU13L30DDMMDDU1H12/SD4NMWSOX

NOTES:
 1 Nominal Source Lumens 2 Contact Factory for Additional Options 3 DCA Control Supplied 4 Standard Bar Hangers 5 Contact Factory 6 Contact Factory for Special Finishes
 7 "N" Indicates Flangeless Trim 8 Standard Finish 9 Consult Factory for Special Lenses/Louvers 10 Standard Lens

Dimensions shown are nominal. Spectrum Lighting is continually improving products and reserves the right to make changes that will not alter performance or appearance with or without written notice.



PROJECT:	TYPE:
CAT. NO.:	

WWW.SPECLIGHT.COM • 994 JEFFERSON STREET, FALL RIVER, MA 02721 • 508.678.2303 FAX 508.678.2260

lumenetix



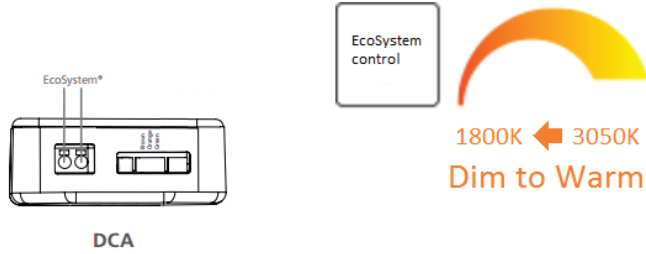
RECESSED DDM OPTIONS

recessed fixtures



Figure 1.

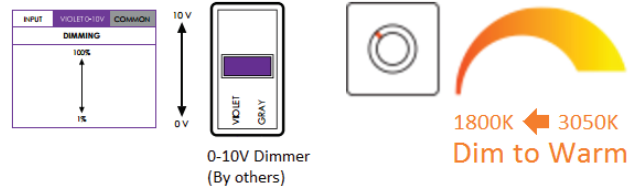
Digital Control Adapter (DCA) for Lutron EcoSystem®



13L30DDMxxDL3Ex
16L30DDMxxDL3Ex

Figure 2.

0-10V Control of Dimming



0-10V Dimmer
(By others)

13L30DDMxxDUx
16L30DDMxxDUx

Dimensions shown are nominal. Spectrum Lighting is continually improving products and reserves the right to make changes that will not alter performance or appearance with or without written notice.



PROJECT:	TYPE:
CAT. NO.:	

