



### GTMR16LED

#### APPLICATIONS

Gimbal style track light for LED MR16 lamps.

#### FEATURES

Die cast gimbal ring with quick twist front bezel. Accepts 1-2 accessories. Rotates 360° and tilts to 45° for optimal aiming. Available for a full range of track systems.

#### FINISH

Variety of powdercoat finishes available.

#### CONSTRUCTION

Die cast machined and stamped aluminum.

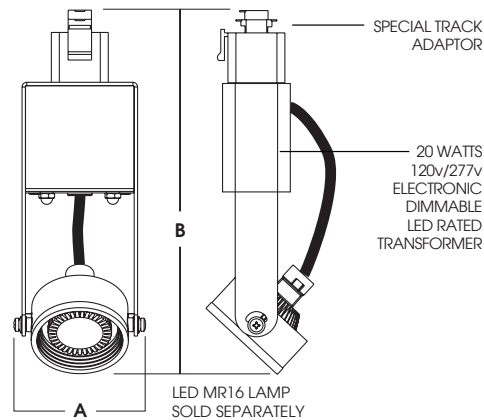
#### ELECTRONICS

Dimmable (Hatch Model# RS12-60M-LED) transformer for MR16 LED lamps.

Consult factory for MR16 lamp manufacturer for compatibility.

#### LABELS

Manufactured and tested to UL Standards No. 1598/8750.



A	B
2.7	8.6
68.6 mm	218.4 mm

SERIES	DRIVER	ADAPTOR <sup>1</sup>	FINISH <sup>3</sup>	ACCESSORIES <sup>4</sup>
GTMR16LED	E1 Electronic, 120v 12v Transformer	<b>GES66</b> Works with GES Track <b>TEK100</b> Works with TEK Track <b>GA100</b> Works with XTS Track <b>GES70<sup>2</sup></b> Monopoint Canopy <b>TM3</b> For Basix Track	<b>MW</b> Matte White <b>MB</b> Matte Black <b>GW</b> Gloss White <b>GB</b> Gloss Black <b>PT</b> Platinum Silver <b>MT</b> Mini Texture Silver <b>TW</b> Texture White <b>TB</b> Mini Texture Black <b>BZ</b> Bronze <b>AZ</b> Anodic Bronze <b>CC</b> Custom Color	<b>LN16<sup>6</sup></b> Lens <b>SN16</b> Snoot <b>HL16<sup>6</sup></b> Hex Louver
LED MR16 LAMP SOLD SEPARATELY				

**EXAMPLE:** GTMR16LEDE1/GES66/PT/LN20

#### NOTES:

1 See GTMR16LED Surface Light for Pendant Options 2 120v Only 3 See SPECTRUM Color Chart for a Full List of Colors 4 Accessory Finish will Match Fixture 5 See Lens Pages 6 Matte Black

Dimensions shown are nominal. Spectrum Lighting is continually improving products and reserves the right to make changes that will not alter performance or appearance with or without written notice.

<b>PROJECT:</b>	<b>TYPE:</b>
<b>CAT. NO.:</b>	