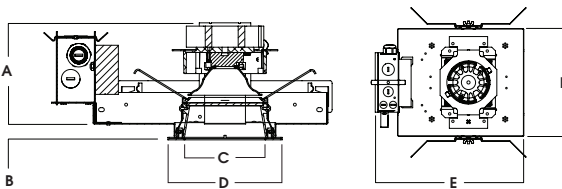
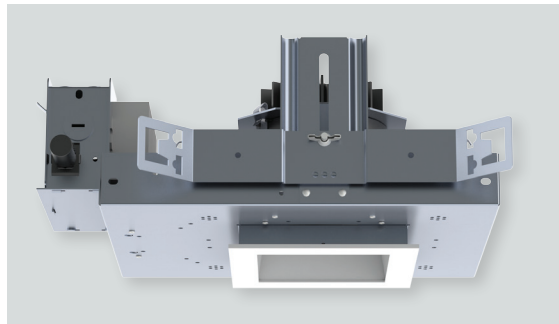
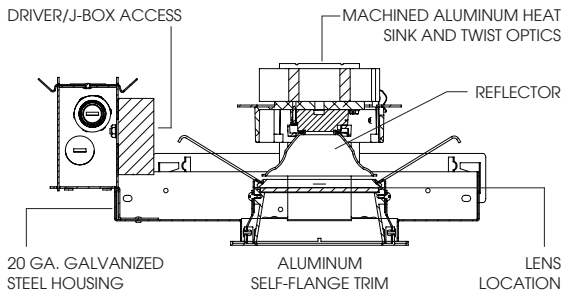


4" SQUARE LED DOWNLIGHT DYNAMIC DIMMING LU SERIES / 1600 LUMENS MAX LED



A	B	C	D	E	F
6.1 154.9 mm	.625 15.2 mm	4.0 101.6 mm	5.4 137.2 mm	DU: 13.2 DL3E: 14.7	9.5 241.3 mm

SDFO4LEDLU - TRIM FLANGE / NON IC RATED

APPLICATION

4" Square LU LED downlight platform. Kelvin Tunable (K+) white light LED system that warms as it dims from 3050K at full intensity to 1800K at 1% intensity.

FEATURES

Two-stage optical system for smooth light distribution and focus control. Quick change LED module with interchangeable optics for job site adjustment and fixture maintenance. Shallow plenum design. Tool-less driver and j-box access. Posi-lock trim retention torsion springs. Integral 0.625" collar with deep ceiling option for up to 2" thick ceiling (PR).

TRIM FINISH

A variety of powdercoat colors are available; flange will have matching finish. Semi-Diffuse and Haze Anodized trim will have Matte White Flange.

ELECTRONICS

LED system features LED module with proprietary technology that provides consistent, stable color over life of the light engine. Base CRI is 90 with <2 MacAdam Ellipse binning. Variety of dimming controls (by Others). DCA is a digital control adapter which enables fixtures powered by EcoSystem® lighting protocol to be converted to a digital link.

CONSTRUCTION

Housing/frame constructed of #20 ga. galvanized steel to resist corrosion. Self-flanged one piece trim high purity aluminum and finished to specification.

CODE COMPLIANCE

ARRA Compliant. Non-IC rated. ETL listed for damp locations. Optional Wet location. Manufactured and tested to UL standards No. 1598/8750.

WATTAGE TO LUMENS UPDATE

CURRENT PART NUMBER EXAMPLE	PREVIOUS PART NUMBER EXAMPLE	SOURCE LUMENS ¹	SYSTEM WATTS
SDFO4LEDLU13L	SDFO4LEDLU20W	1300	25
SDFO4LEDLU16L	SDFO4LEDLU30W	1600	32

RECESSED HOUSING SPECIFICATION										LED TRIM SPECIFICATION					
SERIES	LUMENS ¹	CCT / K	BEAM	CONTROL / VOLTAGE ²	OPTIONS	TRIM / FINISH ⁶		TRIM OPTIONS ¹⁰							
SDFO4LEDLU	13L	1300 Lm	30DDM	30K - 18K	ND 20° MD 30° WD 40° XW 50°	DU_ DL3E_3	1% 0-10V Dimming ECO System Dimming	1 120v 2 277v	BH27 ⁴ H12 H06 CB24 EB PR ⁵	27" Flat Stock Hangers Expandable Bar Hangers, 12" - 24" Expandable Bar Hangers, 6" - 12" C-Channel Bars Black Housing Deep Ceiling Extension	SD4F ⁷	MW ⁸	Matte White	SOX ¹¹	Micro Prism Solite™ Lens
	16L	1600 Lm										MB	Matte Black	PGX	Prismatic Glass Lens
												SG ⁹	Semi-Diffuse	GLX	Clear Glass Lens
						HZ ⁹	Haze Full Diffuse	FGX	Frosted Glass Lens						
						PT	Platinum								
						BZ	Bronze	SOW	Micro Prism Solite™ Lens Wet Location						
						CH	Charcoal	PGW	Prismatic Glass Lens Wet Location						
						AS	Anodic Sapphire	SN	Sun Gold						
						AM	Anodic Malachite	CO	Copper Metallic						
						SN	Sun Gold	GH	Graphite						
						CO	Copper Metallic	AMB	Anti Microbial Finish						
						GH	Graphite	CC	Custom Color						
						AMB	Anti Microbial Finish								
						CC	Custom Color								

EXAMPLE: SDFO4LEDLU13L30DDMMDDU1H12/SD4FMWSOX

NOTES:

1 Nominal Source Lumens 2 Contact Factory for Additional Options 3 DCA Control Supplied 4 Standard Bar Hangers 5 Contact Factory 6 Contact Factory for Special Finishes 7 "F" Indicates Self-Flange Trim 8 Standard Finish 9 Anodized Reflector with Matte White Flange 10 Consult Factory for Special Lenses/Louvers 11 Standard Lens

Dimensions shown are nominal. Spectrum Lighting is continually improving products and reserves the right to make changes that will not alter performance or appearance with or without written notice.



PROJECT:	TYPE:
CAT. NO.:	



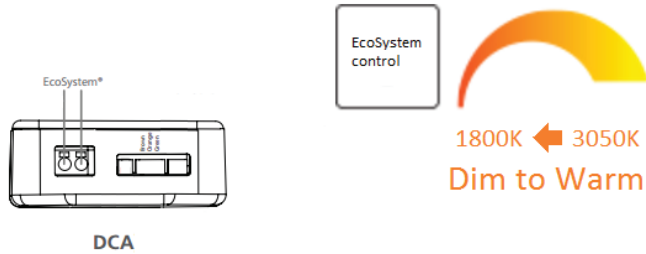
RECESSED DDM OPTIONS

recessed fixtures



Figure 1.

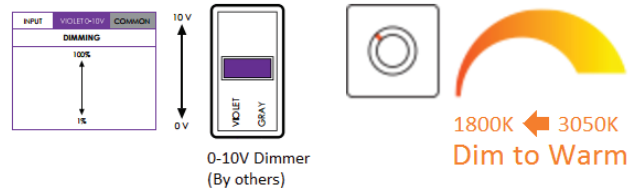
Digital Control Adapter (DCA) for Lutron EcoSystem®



13L30DDMxxDL3Ex
16L30DDMxxDL3Ex

Figure 2.

0-10V Control of Dimming



13L30DDMxxDUx
16L30DDMxxDUx

Dimensions shown are nominal. Spectrum Lighting is continually improving products and reserves the right to make changes that will not alter performance or appearance with or without written notice.



PROJECT:	TYPE:
CAT. NO.:	

