



16" PRISMATIC

EXT SERIES / DLC LISTED



PREXT16LEDGV

APPLICATION

16" Lumen Max GV series performance pendant for low, mid-bay and high-bay applications. Prismatic refractor provides horizontal and vertical distribution.

FEATURES

Extruded Fixture Housing (EXT) features a clean and modern design. Single-stage optical system for smooth light distribution. 80 CRI minimum. Consult factory for high CRI or special applications. LED module and driver designed for ease of maintenance and replacement. Posi-lock refractor retention ring will absorb shocks and impact. Variety of mounting methods.

FINISH

Multi-stage polyester powder-coat process applied on our dedicated paint lines. Variety of standard and custom finishes are available. All exposed materials are chromate pretreated to resist corrosion.

ELECTRONICS

GV LED system features high brightness white Samsung LED's. 3-step MacAdam Ellipse binning. Standard CRI: 80+. Higher CRI, R9 and custom LED configurations are available, consult factory.

CONSTRUCTION

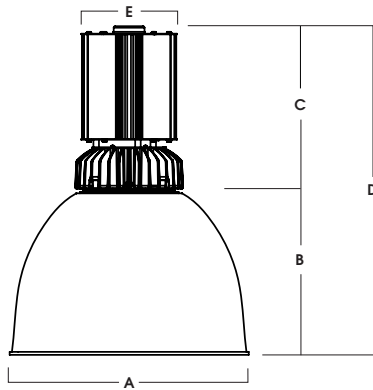
Extruded and machined 6063-T5 aluminum housing. Graphite gasket for optimal thermal management. Die-cast aluminum heat sink. Refractor made of cast UV stabilized acrylic.

CODE COMPLIANCE

BAA compliant. ETL certified to meet US and Canadian standards. Suitable for dry or damp locations. Manufactured and tested to UL standards No. 1598/8750. Refer to designlights.org/search/ for most up-to-date list.

DLC LISTING

- PREXT16LEDGV55L35K(DS101,DS102)/FS/xx/PR16/xx
- PREXT16LEDGV55L40K(DO101,DO102)/FS/xx/PR16/xx
- PREXT16LEDGV55L35K(DO101,DO120)/FS/xx/PR16/xx
- PREXT16LEDGV55L40K(DS101,DS102)/FS/xx/PR16/xx
- PREXT16LEDGV55L35K(E1,E2)/FS/xx/PR16/xx



A	B	C	D	E
16.2	11.2	10.7	16.2	6.5
411.5 mm	284.5 mm	271.8 mm	411.5 mm	165.1 mm

Fixture Weight: 7.8 lbs

SERIES	LUMENS ¹	CCT	DRIVER / DIMMING ³	OPTIONS ⁴	MOUNTING ⁵	REFRACTOR	DIFFUSER OPTIONS	FINISH ¹⁰
PREXT16LEDGV	55L 5500 Lm	35K 3500K 40K 4000K	EX Electronic Driver, 120V/277V DS10X 10% 0-10V, 120V/277V DO10X 1% 0-10V, 120V/277V	FS Fusing	HM ⁶ Hang Straight AT ⁶ Hang Straight All Thread PM ⁶ Rigid Pendant CD ⁶ Cord / Cable Mount HC Hook & Cord NM2 ^{7/8} 1/2" NPT Hub NM3 ^{7/8} 3/4" NPT Hub	PR16 16" Clear	DOOR DR16 ⁹ 16" Spun Door LENS PC Clear Polycarbonate	MW ¹¹ Matte White MB ¹¹ Matte Black PT ¹¹ Platinum Silver TW Textured White TB Textured Black MT Textured Silver BZ Bronze CH Charcoal GH Graphite AC Champagne SN Sun Gold BR Brecchia Rust AN Anodic Natural CO Copper Metallic CC Custom Color

EXAMPLE: PREXT16LEDGV55L35KEX/HM36PR16DR16PCMW

NOTES:
 1 Nominal Source Lumens at 35K 2 Nominal Delivered Lumens at 35K with PR16, No Lens 3 Contact Factory for Additional Options 4 See Product Options Page For Details 5 See Mounting Page for Details on Components and Finishes
 6 Specify Length in Inches: See Mounting Page for Available Lengths 7 Mounting Supplied by Others 8 12" Leads Unless Specified 9 Same Finish as Housing 10 See Color Page for More Options/Consult Factory for Special Finishes
 11 Standard Finishes



PROJECT: _____
 TYPE: _____



Dimensions and values shown are nominal. Spectrum Lighting continually works to improve products and reserves the right to make changes which may alter the performance or appearance of products.

16" PRISMATIC

EXT SERIES / FIXTURE OPTIONS



STANDARD FINISHES

MW
MATTE WHITE



MB
MATTE BLACK



PT
PLATINUM SILVER



MOUNTING TYPES

HM / AT / PM
HANG STRAIGHT / ALL THREAD / PENDANT



CD
CORD / CABLE MOUNT



HC
HOOK CORD



NM / SM
NO MOUNT

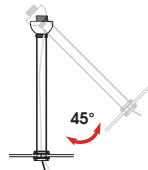
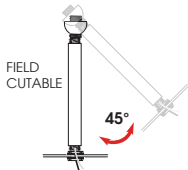
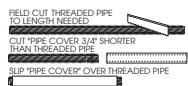
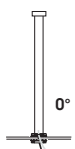

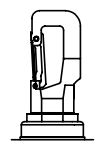


MOUNTING & ACCESSORIES

SOME OPTIONS NOT AVAILABLE ON ALL FIXTURES, CONSULT SPECIFICATION SHEETS. SEE INDIVIDUAL SPECIFICATION SHEETS OR CONSULT FACTORY FOR ADDITIONAL INFORMATION. NOTE: THIS IS TYPICAL OF LUMEN MAX SPECIFICATION FOR PENDANT MOUNTING. INDIVIDUAL FIXTURES OR PROJECTS MAY HAVE SPECIALIZED REQUIREMENTS.



MOUNTING TYPES

<p>HM* HANG STRAIGHT 45° SWIVEL 1/2" STEM - 3/8" NPT</p>  <p>ORDER: HM (Length) SPECIFY LENGTH: HM3 - 3" HM24 - 24" HM6 - 6" HM36 - 36" HM12 - 12" HM48 - 48" HM18 - 18" HM72 - 72" HMLC(XX) Custom Length (Specify in Inches)</p>	<p>AT** HANG STRAIGHT ALL THREAD 45° SWIVEL 1/2" STEM - 1/4" IP</p> <p>FIELD CUTTABLE</p>  <p>ORDER: AT (Length) SPECIFY LENGTH: AT12 - 12" AT24 - 24" AT36 - 36" ATLC(XX) Custom Length (Specify in Inches)</p> 	<p>PM* RIGID PENDANT MOUNT RIGID 1/2" STEM - 3/8" NPT</p>  <p>ORDER: PM (Length) SPECIFY LENGTH: PM3 - 3" PM24 - 24" PM6 - 6" PM36 - 36" PM12 - 12" PM48 - 48" PM18 - 18" PM72 - 72" PMLC(XX) Custom Length (Specify in Inches)</p>	<p>CD CORD / CABLE MOUNT SJ CORD WITH 1/16 SS CABLE</p>  <p>ORDER: CD (Length) SPECIFY LENGTH: CD36 - 36" CD72 - 72" CD144 - 144" CDLC(XX) Custom Length (Specify in Inches)</p>	<p>HC HOOK & CORD FOR INDEPENDENT MOUNTING</p>  <p>ORDER: HC</p>
--	---	---	---	---

*MAXIMUM ONE PIECE STEM LENGTH IS 72". **MAXIMUM ONE PIECE STEM LENGTH IS 36". LONGER LENGTHS ARE POSSIBLE USING MULTIPLE STEMS AND COUPLERS.

MOUNTING FINISH

<p>Standard Canopy / Stem or Cord mounting finish is matte white. Black fixtures receive matte black mounting finish, silver fixture receive silver mounting finish. Custom colors for canopy and stem are available upon request.</p>	<p>FIXTURE COLOR</p>	<p>CANOPY / STEM / CORD COLOR</p>
	<p>Matte White, Textured White</p>	<p>Matte White</p>
	<p>Matte Black, Textured Black, Bronze, Oil Rubbed Bronze, Graphite</p>	<p>Matte Black</p>
	<p>Platinum, Textured Silver, Silver</p>	<p>Silver</p>
	<p>All Others</p>	<p>Matte White</p>
	<p>Custom Color</p>	<p>Canopy / Stem Same Color as Fixture</p>

ADDITIONS

FS - FUSING

Slow blow type fuse protects fixture against voltage surges. Factory installed.

