



# 12" ALUMINUM EXT SERIES



## ALEXT12GV

### APPLICATION

12" Lumen Max GV series performance pendant for low, and mid-bay applications. Aluminum reflector designed for maximum downlight.

### FEATURES

Extruded Fixture Housing (EXT) features a clean and modern design. Single-stage optical system for smooth light distribution. 80 CRI minimum. Consult factory for high CRI or special applications. LED module and driver designed for ease of maintenance and replacement. Posi-lock reflector retention ring will absorb shocks and impact. Optional safety cable. Variety of optical lenses and mounting methods.

### FINISH

Multi-stage polyester powder-coat process applied on our dedicated paint lines. Variety of standard and custom finishes are available. All exposed materials are chromate pretreated to resist corrosion. Matte White interior finish standard. Custom color interior finish available.

### ELECTRONICS

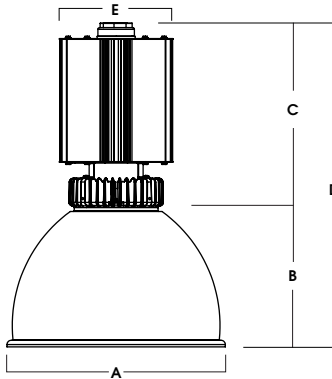
GV LED system features high brightness white Samsung LED's. 3-step MacAdam Ellipse binning. Standard CRI: 80+. Higher CRI, R9 and custom LED configurations are available; consult factory. Variety of electronic 120V/277V and dimming drivers.

### CONSTRUCTION

Extruded and machined 6063-T5 aluminum housing. Graphite gasket for optimal thermal management. Die-cast aluminum heat sink. Reflector made of spun .060" aluminum.

### CODE COMPLIANCE

BAA compliant. ETL certified to meet US and Canadian standards. Suitable for dry or damp locations. Manufactured and tested to UL standards No. 1598/8750.



| A        | B        | C        | D        | E        |
|----------|----------|----------|----------|----------|
| 12.5     | 8.1      | 10.5     | 18.5     | 6.5      |
| 317.5 mm | 205.7 mm | 266.7 mm | 469.9 mm | 165.1 mm |

Fixture Weight: lbs

| LUMENS / WATTAGE DATA |                            |                               |              |     |
|-----------------------|----------------------------|-------------------------------|--------------|-----|
| PART NUMBER           | SOURCE LUMENS <sup>1</sup> | DELIVERED LUMENS <sup>2</sup> | SYSTEM WATTS | LPW |
| ALEXT12GV15L          | 1500                       | 1191                          | 10           | 119 |
| ALEXT12GV27L          | 2700                       | 2080                          | 18           | 116 |
| ALEXT12GV37L          | 3700                       | 3050                          | 26           | 117 |
| ALEXT12GV55L          | 5500                       | 4492                          | 39           | 115 |

| SERIES    | LUMENS <sup>1</sup> | CCT                    | DRIVER / DIMMING <sup>3</sup>   | OPTIONS <sup>4</sup>   | MOUNTING <sup>5</sup>   | REFLECTOR  | DIFFUSER OPTIONS   | FINISH <sup>11</sup>   |
|-----------|---------------------|------------------------|---|--|---|--|--|--|
| ALEXT12GV | 15L 1500 Lm         | 27K 2700K              | EX Electronic Driver, 120V/277V<br>DS10X 10% 0-10V,<br>DO10X 1% 0-10V,<br>120V/277V | FS Fusing<br>E347 347V Driver<br>SC1 Safety Cable<br>SC2 Safety Cable, Reflector to Door Fixture | HM <sup>6</sup> Hang Straight<br>AT <sup>6</sup> Hang Straight All Thread<br>PM <sup>6</sup> Rigid Pendant<br>CD <sup>6</sup> Cord / Cable Mount<br>HC Hook & Cord<br>NM2 <sup>7/8</sup> 1/2" NPT Hub<br>NM3 <sup>7/8</sup> 3/4" NPT Hub<br>EMERGENCY BATTERY OPTIONS<br>EMCR 10W Canopy Mounted EM<br>EMRM 7W Remote EM<br>EMEN 7W Remote with Enclosure | AL12 <sup>2</sup> 12" Aluminum<br>FCI Color Inside | DOOR DR12 <sup>10</sup> 12" Spun Door<br>LENS CNFR Conical Frosted Lens<br>CN Conical Lens<br>DL Drop Lens<br>FO White Optical Acrylic<br>PP Prismatic Polycarbonate<br>PC Clear Polycarbonate<br>WAG12 12" Wire Guard | MW <sup>12</sup> Matte White<br>MB <sup>12</sup> Matte Black<br>PT <sup>12</sup> Platinum Silver<br>TW Textured White<br>TB Textured Black<br>MT Textured Silver<br>BZ Bronze<br>CH Charcoal<br>GH Graphite<br>AC Champagne<br>SN Sun Gold<br>BR Brecchia Rust<br>AN Anodic Natural<br>CO Copper Metallic<br>CC Custom Color |
|           | 27L 2700 Lm         | 30K 3000K              |   |  |   |  |  |  |
|           | 37L 3700 Lm         | 35K 3500K              |   |  |   |  |  |  |
|           | 55L 5500 Lm         | 40K 4000K<br>50K 5000K |   |  |   |  |  |  |

**EXAMPLE:** ALEXT12GV15L27KEX/HM36/AL12/DR12CNMW

**NOTES:**  
 1 Nominal Source Lumens at 35K 2 Nominal Delivered Lumens at 35K with AL12 3 Contact Factory for Additional Options 4 See Product Options Page for Details 5 See Mounting Page for Details on Components and Finishes  
 6 Specify Length in Inches: See Mounting Page for Available Lengths 7 Mounting Supplied by Others 8 12" Leads Unless Specified 9 Reflector Finished Matte White With Finish Color Out 10 Same Finish as Housing  
 11 See Color Page for More Options/Consult Factory for Special Finishes 12 Standard Finishes



PROJECT: \_\_\_\_\_  
 TYPE: \_\_\_\_\_



Dimensions and values shown are nominal. Spectrum Lighting continually works to improve products and reserves the right to make changes which may alter the performance or appearance of products.

# 12" ALUMINUM

## EXT SERIES / FIXTURE OPTIONS



### STANDARD FINISHES

**MW**  
MATTE WHITE



**MB**  
MATTE BLACK

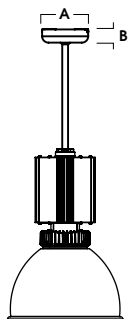


**PT**  
PLATINUM SILVER



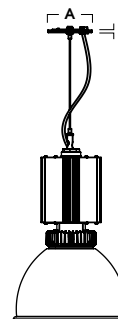
### MOUNTING TYPES

**HM / AT / PM**  
HANG STRAIGHT / ALL THREAD / PENDANT



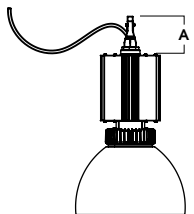
| A        | B       |
|----------|---------|
| 5.4      | 2.5     |
| 137.2 mm | 63.5 mm |

**CD**  
CORD / CABLE MOUNT



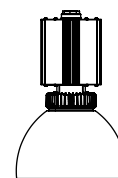
| A        | B      |
|----------|--------|
| 5.0      | .25    |
| 127.0 mm | 6.4 mm |

**HC**  
HOOK CORD



| A        |
|----------|
| 4.2      |
| 106.7 mm |

**NM**  
NO MOUNT

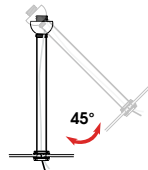
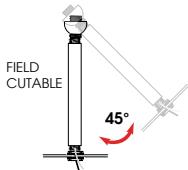
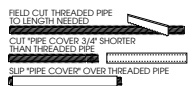
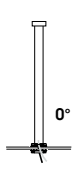

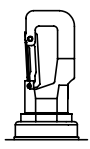


# MOUNTING & ACCESSORIES

SOME OPTIONS NOT AVAILABLE ON ALL FIXTURES, CONSULT SPECIFICATION SHEETS. SEE INDIVIDUAL SPECIFICATION SHEETS OR CONSULT FACTORY FOR ADDITIONAL INFORMATION. NOTE: THIS IS TYPICAL OF LUMEN MAX SPECIFICATION FOR PENDANT MOUNTING. INDIVIDUAL FIXTURES OR PROJECTS MAY HAVE SPECIALIZED REQUIREMENTS.



## MOUNTING TYPES

|  |  |   |   |   |
|--|--|---|---|---|
| <p><b>HM*</b><br/>HANG STRAIGHT<br/>45° SWIVEL 1/2" STEM - 3/8" NPT</p>  <p>ORDER: <b>HM</b> (Length)<br/>SPECIFY LENGTH:<br/><b>HM3</b> - 3"    <b>HM24</b> - 24"<br/><b>HM6</b> - 6"    <b>HM36</b> - 36"<br/><b>HM12</b> - 12"   <b>HM48</b> - 48"<br/><b>HM18</b> - 18"   <b>HM72</b> - 72"<br/><b>HMLC(XX)</b><br/>Custom Length<br/>(Specify in Inches)</p> | <p><b>AT**</b><br/>HANG STRAIGHT ALL THREAD<br/>45° SWIVEL 1/2" STEM - 1/4" IP</p> <p>FIELD CUTABLE</p>  <p>ORDER: <b>AT</b> (Length)<br/>SPECIFY LENGTH:<br/><b>AT12</b> - 12"<br/><b>AT24</b> - 24"<br/><b>AT36</b> - 36"<br/><b>ATLC(XX)</b><br/>Custom Length<br/>(Specify in Inches)</p>  | <p><b>PM*</b><br/>RIGID PENDANT MOUNT<br/>RIGID 1/2" STEM - 3/8" NPT</p>  <p>ORDER: <b>PM</b> (Length)<br/>SPECIFY LENGTH:<br/><b>PM3</b> - 3"    <b>PM24</b> - 24"<br/><b>PM6</b> - 6"    <b>PM36</b> - 36"<br/><b>PM12</b> - 12"   <b>PM48</b> - 48"<br/><b>PM18</b> - 18"   <b>PM72</b> - 72"<br/><b>PMLC(XX)</b><br/>Custom Length<br/>(Specify in Inches)</p> | <p><b>CD</b><br/>CORD / CABLE MOUNT<br/>SJ CORD WITH 1/16 SS CABLE</p>  <p>ORDER: <b>CD</b> (Length)<br/>SPECIFY LENGTH:<br/><b>CD36</b> - 36"<br/><b>CD72</b> - 72"<br/><b>CD144</b> - 144"<br/><b>CDLC(XX)</b><br/>Custom Length<br/>(Specify in Inches)</p> | <p><b>HC</b><br/>HOOK &amp; CORD<br/>FOR INDEPENDENT MOUNTING</p>  <p>ORDER: <b>HC</b></p> |
|--|--|---|---|---|

\*MAXIMUM ONE PIECE STEM LENGTH IS 72". \*\*MAXIMUM ONE PIECE STEM LENGTH IS 36". LONGER LENGTHS ARE POSSIBLE USING MULTIPLE STEMS AND COUPLERS.

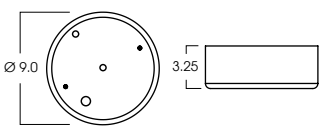
## MOUNTING FINISH

Standard Canopy / Stem or Cord mounting finish is matte white. Black fixtures receive matte black mounting finish, silver fixture receive silver mounting finish. Custom colors for canopy and stem are available upon request.

| FIXTURE COLOR  | CANOPY / STEM / CORD COLOR          |
|--|-------------------------------------|
| Matte White, Textured White                            | Matte White                         |
| Matte Black, Textured Black, Bronze, Oil Rubbed Bronze | Matte Black                         |
| Platinum, Textured Silver, Silver                      | Silver                              |
| All Others   | Matte White                         |
| Custom Color   | Canopy / Stem Same Color as Fixture |

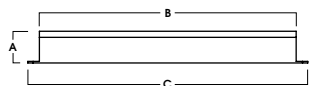
## EMERGENCY BATTERY OPTIONS

**EMCR** - LARGE DRIVER CANOPY FOR 10W EMERGENCY BATTERY (FOR ROUND CEILING MOUNT TYPES)



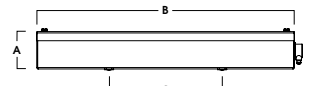
## REMOTE EMERGENCY BATTERY OPTIONS

**EMRM\*** - 7W REMOTE EMERGENCY BATTERY (50' MAX)



| A   | B    | C    |
|-----|------|------|
| 1.3 | 12.6 | 13.0 |

**EMEN\*** - 7W REMOTE EMERGENCY BATTERY WITH ENCLOSURE (50' MAX)




| A   | B    | C   |
|-----|------|-----|
| 2.0 | 17.0 | 6.2 |


\*OTHER EM BATTERY SIZES AVAILABLE, CONSULT FACTORY

## ADDITIONS

**FS** - FUSING  
Slow blow type fuse protects fixture against voltage surges. Factory installed.




**LSP10 - SM** - SURGE PROTECTOR  
Surge protector absorbs transient electrical spikes and protects fixtures and electronics 120/277v. Re-sets after surge. Factory Installed.

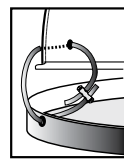


## SAFETY CABLE OPTIONS

**SC1** - SAFETY CABLE  
1/16" stainless steel safety cable for added support. Standard kit is 18" and double barrel locks are provided. Approved for California seismic requirements. Rated at 50 lbs.



**SC2** - SAFETY CABLE  
1/16" Stainless steel cable holds door to fixture



# 12" ALUMINUM

## EXT SERIES / PHOTOMETRIC DATA



ALxxx12GV-55L-35K-EX-AL12

| CANDLEPOWER CURVE | INTENSITY | ZONAL LUMENS |          | SINGLE UNIT: PERFORMANCE<br>INITIAL FOOTCANDLES<br>BASED ON IES BEAM ANGLE |          |          |          | MULTIPLE UNITS: PERFORMANCE<br>80/50/20% REFLECTANCES<br>INITIAL FOOTCANDLES AND WATTS PER SQUARE FOOT |       |                     |                       |               |  |                |                 |       |   |       |
|-------------------|-----------|--------------|----------|--|----------|----------|----------|--|-------|---------------------|-----------------------|---------------|--|----------------|-----------------|-------|---|-------|
|                   |           | 0° - 10°     | 0° - 20° | 0° - 30°   | 0° - 40° | 0° - 60° | 0° - 80° | 0° - 90°   | Total | Mounting Height AFF | FC at Center on Floor | Beam Diameter | FC at Beam Edge                                      | Ceiling Height | Fixture Spacing | RCR 1 |   | RCR 3 |
|                   | 0.00°     | 314          | 1,111    | 2,185  | 3,246    | 4,047    | 4,438    | 4,488  | 8.0'  | 54 fc               | 11.5'                 | 26 fc         | 17'  | 12' *          | 36              | 0.29  | 24  | 0.24  |
|                   | 5.00°     | 3,336        | 1,111    | 2,185  | 3,246    | 4,047    | 4,438    | 4,488  | 10.0' | 35 fc               | 14.3'                 | 17 fc         | 21'  | 14' **         | 24              | 0.20  | 23  | 0.23  |
|                   | 10.00°    | 3,115        | 2,185    | 3,246  | 4,047    | 4,438    | 4,488    | 4,488  | 12.0' | 24 fc               | 17.2'                 | 12 fc         | 25'  | 16' ***        | 18              | 0.15  | 15  | 0.15  |
|                   | 15.00°    | 2,836        | 3,246    | 4,047  | 4,438    | 4,488    | 4,488    | 4,488  | 14.0' | 18 fc               | 20.1'                 | 9 fc          | Delivered Illuminance Rating: (DIR)                  |                |                 |       |   |       |
|                   | 20.00°    | 2,556        | 4,047    | 4,438  | 4,488    | 4,488    | 4,488    | 4,488  | 16.0' | 13 fc               | 22.9'                 | 7 fc          | 3' Suspension Length                                 |                |                 |       |   |       |
|                   | 30.00°    | 2,123        | 4,438    | 4,488  | 4,488    | 4,488    | 4,488    | 4,488  | 20.0' | 9 fc                | 28.7'                 | 4 fc          | Square rooms used for multiple units:                |                |                 |       |   |       |
|                   | 40.00°    | 1,085        | 4,488    | 4,488  | 4,488    | 4,488    | 4,488    | 4,488  | 24.0' | 6 fc                | 34.4'                 | 3 fc          | - RCR 1: Length & Width = Ceiling Ht. - 5.5' x 10.00 |                |                 |       |   |       |
|                   | 50.00°    | 421          | 4,488    | 4,488  | 4,488    | 4,488    | 4,488    | 4,488  | 28.0' | 4 fc                | 40.1'                 | 2 fc          | - RCR 3: Length & Width = Ceiling Ht. - 5.5' x 3.33  |                |                 |       |   |       |
|                   | 60.00°    | 302          | 4,488    | 4,488  | 4,488    | 4,488    | 4,488    | 4,488  |       |                     |                       |               |  |                |                 |       | * Average Footcandles at 2.5' Above Floor |       |
|                   | 70.00°    | 191          | 4,488    | 4,488  | 4,488    | 4,488    | 4,488    | 4,488  |       |                     |                       |               |  |                |                 |       | ** Exceeds spacing criteria by 13%        |       |
|                   | 80.00°    | 89           | 4,488    | 4,488  | 4,488    | 4,488    | 4,488    | 4,488  |       |                     |                       |               |  |                |                 |       | *** Exceeds spacing criteria by -2%       |       |
|                   | 90.00°    | 11           | 4,488    | 4,488  | 4,488    | 4,488    | 4,488    | 4,488  |       |                     |                       |               |  |                |                 |       | **** Exceeds spacing criteria by -11%     |       |

Delivered Lumens: 4,488  
Luminaire Watts: 39  
LER: 115.08

CP at 0deg (Nadir): 3,451  
CRI: 85+

Beam Angle: 71.18  
Spacing Ratio: 0.92

Lamp Multiplier: 15L x 0.268, 27L x 0.468, 37L x 0.687  
CCT Multiplier: 27K x 0.971, 30K x 0.985, 40K x 1.03, 50K x 1.06