



# 12" ALUMINUM DDH SERIES



## ALDDH12GV

### APPLICATION

12" Lumen Max GV series performance pendant for low, mid-bay and high-bay applications. Aluminum reflector designed for maximum downlight.

### FEATURES

Domed Fixture Housing (DDH) features a contemporary design and is easy to maintain. Single-stage optical system for smooth light distribution. 80 CRI minimum. Consult factory for high CRI or special applications. LED module and driver designed for ease of maintenance and replacement. Posi-lock reflector retention ring will absorb shocks and impact. Optional safety cable. Variety of optical lenses and mounting methods.

### FINISH

Multi-stage polyester powder-coat process applied on our dedicated paint lines. Variety of standard and custom finishes are available. All exposed materials are chromate pretreated to resist corrosion. Matte White interior finish standard. Custom Color interior finish available.

### ELECTRONICS

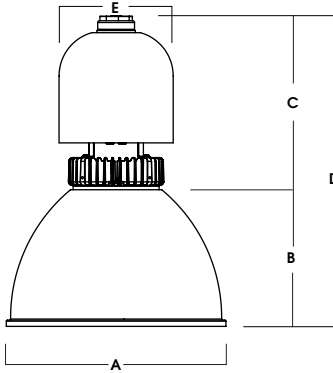
GV LED system features high brightness white Samsung LED's. 3-step MacAdam Ellipse binning. Standard CRI: 80+. Higher CRI, R9 and custom LED configurations are available; consult factory. Variety of electronic 120V/277V and dimming drivers.

### CONSTRUCTION

Housing constructed of extruded and machined aluminum to resist corrosion. Graphite gasket for optimal thermal management. Die-cast aluminum heat sink. Reflector made of spun .060" aluminum.

### CODE COMPLIANCE

BAA compliant. ETL certified to meet US and Canadian standards. Suitable for dry or damp locations. Manufactured and tested to UL standards No. 1598/8750.



A	B	C	D	E
12.5	8.0	8.7	16.7	6.5
317.5 mm	203.2 mm	221.0 mm	424.2 mm	165.1 mm

Fixture Weight: 7.4 lbs

LUMENS / WATTAGE DATA				
PART NUMBER	SOURCE LUMENS <sup>1</sup>	DELIVERED LUMENS <sup>2</sup>	SYSTEM WATTS	LPW
ALDDH12GV15L	1500	1191	10	119
ALDDH12GV27L	2700	2080	18	116
ALDDH12GV37L	3700	3050	26	117
ALDDH12GV55L	5500	4492	39	115

SERIES	LUMENS <sup>1</sup>	CCT	DRIVER / DIMMING <sup>3</sup>	OPTIONS <sup>4</sup>	MOUNTING <sup>5</sup>	REFLECTOR	DIFFUSER OPTIONS	FINISH <sup>11</sup>
ALDDH12GV	15L 1500 Lm	27K 2700K	EX Electronic Driver, 120V/277V DS10X 10% 0-10V, 120V/277V DO10X 1% 0-10V, 120V/277V DO103 1% 0-10V, 347V	FS Fusing SC1 Safety Cable SC2 Safety Cable, Reflector to Door	HM <sup>6</sup> Hang Straight AT <sup>6</sup> Hang Straight All Thread PM <sup>6</sup> Rigid Pendant CD <sup>6</sup> Cord / Cable Mount HC Hook & Cord NM2 <sup>7/8</sup> 1/2" NPT Hub NM3 <sup>7/8</sup> 3/4" NPT Hub	AL12 <sup>9</sup> 12" Aluminum FCI Fixture Color Inside	DOOR DR12 <sup>10</sup> 12" Spun Door	MW <sup>12</sup> Matte White MB <sup>12</sup> Matte Black PT <sup>12</sup> Platinum Silver TW Textured White TB Textured Black MT Textured Silver BZ Bronze CH Charcoal GH Graphite AC Champagne SN Sun Gold BR Brecchia Rust AN Anodic Natural CO Copper Metallic CC Custom Color
	27L 2700 Lm	30K 3000K						
	37L 3700 Lm	35K 3500K						
	55L 5500 Lm	40K 4000K						
					EMERGENCY BATTERY OPTIONS			
					EMCR 10W Canopy Mounted EM			
					EMRM 7W Remote EM			
					EMEN 7W Remote with Enclosure			

**EXAMPLE:** ALDDH12GV15L27KEX/HM36/AL12/DR12CN/MW

**NOTES:**  
 1 Nominal Source Lumens at 35K 2 Nominal Delivered Lumens at 35K with AL12 3 Contact Factory for Additional Options 4 See Product Options Page for Details 5 See Mounting Page for Details on Components and Finishes  
 6 Specify Length in Inches: See Mounting Page for Available Lengths 7 Mounting Supplied by Others 8 12" Leads Unless Specified 9 Reflector Finished Matte White With Finish Color Out 10 Same Finish as Housing  
 11 See Color Page for More Options/Consult Factory for Special Finishes 12 Standard Finishes



PROJECT: \_\_\_\_\_  
 TYPE: \_\_\_\_\_



Dimensions and values shown are nominal. Spectrum Lighting continually works to improve products and reserves the right to make changes which may alter the performance or appearance of products.

# 12" ALUMINUM

## DDH SERIES / FIXTURE OPTIONS



### STANDARD FINISHES

**MW**  
MATTE WHITE



**MB**  
MATTE BLACK

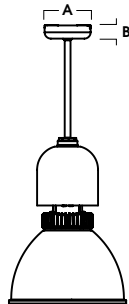


**PT**  
PLATINUM SILVER



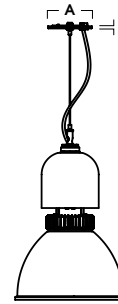
### MOUNTING TYPES

**HM / AT / PM**  
HANG STRAIGHT / ALL THREAD / PENDANT



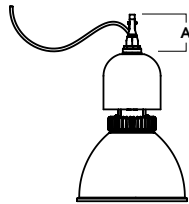
A	B
5.4	2.5
137.2 mm	63.5 mm

**CD**  
CORD / CABLE MOUNT



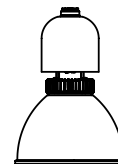
A	B
5.0	.25
127.0 mm	6.4 mm

**HC**  
HOOK CORD



A
4.2
106.7 mm

**NM**  
NO MOUNT

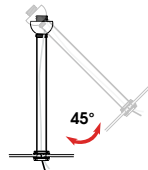
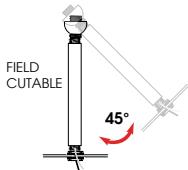
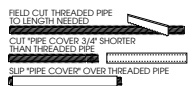
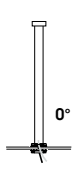

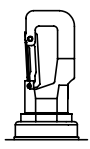


# MOUNTING & ACCESSORIES

SOME OPTIONS NOT AVAILABLE ON ALL FIXTURES, CONSULT SPECIFICATION SHEETS. SEE INDIVIDUAL SPECIFICATION SHEETS OR CONSULT FACTORY FOR ADDITIONAL INFORMATION. NOTE: THIS IS TYPICAL OF LUMEN MAX SPECIFICATION FOR PENDANT MOUNTING. INDIVIDUAL FIXTURES OR PROJECTS MAY HAVE SPECIALIZED REQUIREMENTS.



## MOUNTING TYPES

<p><b>HM*</b> HANG STRAIGHT 45° SWIVEL 1/2" STEM - 3/8" NPT</p>  <p>ORDER: <b>HM</b> (Length) SPECIFY LENGTH: <b>HM3</b> - 3"    <b>HM24</b> - 24" <b>HM6</b> - 6"    <b>HM36</b> - 36" <b>HM12</b> - 12"   <b>HM48</b> - 48" <b>HM18</b> - 18"   <b>HM72</b> - 72" <b>HMLC(XX)</b> Custom Length (Specify in Inches)</p>	<p><b>AT**</b> HANG STRAIGHT ALL THREAD 45° SWIVEL 1/2" STEM - 1/4" IP</p> <p>FIELD CUTTABLE</p>  <p>ORDER: <b>AT</b> (Length) SPECIFY LENGTH: <b>AT12</b> - 12" <b>AT24</b> - 24" <b>AT36</b> - 36" <b>ATLC(XX)</b> Custom Length (Specify in Inches)</p> 	<p><b>PM*</b> RIGID PENDANT MOUNT RIGID 1/2" STEM - 3/8" NPT</p>  <p>ORDER: <b>PM</b> (Length) SPECIFY LENGTH: <b>PM3</b> - 3"    <b>PM24</b> - 24" <b>PM6</b> - 6"    <b>PM36</b> - 36" <b>PM12</b> - 12"   <b>PM48</b> - 48" <b>PM18</b> - 18"   <b>PM72</b> - 72" <b>PMLC(XX)</b> Custom Length (Specify in Inches)</p>	<p><b>CD</b> CORD / CABLE MOUNT SJ CORD WITH 1/16 SS CABLE</p>  <p>ORDER: <b>CD</b> (Length) SPECIFY LENGTH: <b>CD36</b> - 36" <b>CD72</b> - 72" <b>CD144</b> - 144" <b>CDLC(XX)</b> Custom Length (Specify in Inches)</p>	<p><b>HC</b> HOOK &amp; CORD FOR INDEPENDENT MOUNTING</p>  <p>ORDER: <b>HC</b></p>
--	---	---	---	---

\*MAXIMUM ONE PIECE STEM LENGTH IS 72". \*\*MAXIMUM ONE PIECE STEM LENGTH IS 36". LONGER LENGTHS ARE POSSIBLE USING MULTIPLE STEMS AND COUPLERS.

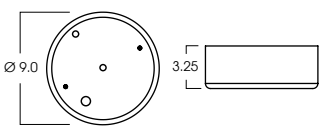
## MOUNTING FINISH

Standard Canopy / Stem or Cord mounting finish is matte white. Black fixtures receive matte black mounting finish, silver fixture receive silver mounting finish. Custom colors for canopy and stem are available upon request.

FIXTURE COLOR	CANOPY / STEM / CORD COLOR
Matte White, Textured White	Matte White
Matte Black, Textured Black, Bronze, Oil Rubbed Bronze	Matte Black
Platinum, Textured Silver, Silver	Silver
All Others	Matte White
Custom Color	Canopy / Stem Same Color as Fixture

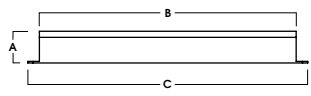
## EMERGENCY BATTERY OPTIONS

**EMCR** - LARGE DRIVER CANOPY FOR 10W EMERGENCY BATTERY (FOR ROUND CEILING MOUNT TYPES)



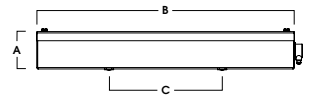
## REMOTE EMERGENCY BATTERY OPTIONS

**EMRM\*** - 7W REMOTE EMERGENCY BATTERY (50' MAX)



A	B	C
1.3	12.6	13.0

**EMEN\*** - 7W REMOTE EMERGENCY BATTERY WITH ENCLOSURE (50' MAX)




A	B	C
2.0	17.0	6.2


\*OTHER EM BATTERY SIZES AVAILABLE, CONSULT FACTORY

## ADDITIONS

**FS** - FUSING  
Slow blow type fuse protects fixture against voltage surges. Factory installed.




**LSP10 - SM** - SURGE PROTECTOR  
Surge protector absorbs transient electrical spikes and protects fixtures and electronics 120/277v. Re-sets after surge. Factory Installed.

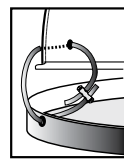


## SAFETY CABLE OPTIONS

**SC1** - SAFETY CABLE  
1/16" stainless steel safety cable for added support. Standard kit is 18" and double barrel locks are provided. Approved for California seismic requirements. Rated at 50 lbs.



**SC2** - SAFETY CABLE  
1/16" Stainless steel cable holds door to fixture



# 12" ALUMINUM

## DDH SERIES / PHOTOMETRIC DATA



ALxxx12GV-55L-35K-EX-AL12

CANDLEPOWER CURVE	INTENSITY	ZONAL LUMENS	SINGLE UNIT: PERFORMANCE INITIAL FOOTCANDLES BASED ON IES BEAM ANGLE				MULTIPLE UNITS: PERFORMANCE 80/50/20% REFLECTANCES INITIAL FOOTCANDLES AND WATTS PER SQUARE FOOT								
	0.00°		0° - 10°	314	7%	Mounting Height AFF	FC at Center on Floor	Beam Diameter	FC at Beam Edge	Ceiling Height	Fixture Spacing	RCR 1		RCR 3	
	0.00°	3,451	0° - 20°	1,111	25%							FC +	W/Sq. Ft.	FC +	W/Sq. Ft.
	5.00°	3,336	0° - 30°	2,185	49%	8.0'	54 fc	11.5'	26 fc	17'	12' *	36	0.29	24	0.24
	10.00°	3,115	0° - 40°	3,246	72%	10.0'	35 fc	14.3'	17 fc	21'	14' **	24	0.20	23	0.23
	15.00°	2,836	0° - 60°	4,047	90%	12.0'	24 fc	17.2'	12 fc	25'	16' ***	18	0.15	15	0.15
	20.00°	2,556	0° - 80°	4,438	99%	14.0'	18 fc	20.1'	9 fc	Delivered Illuminance Rating: (DIR) 120 FC per W/Sq. Ft.    99 FC per W/Sq. Ft.					
	30.00°	2,123	0° - 90°	4,488	100%	16.0'	13 fc	22.9'	7 fc						
	40.00°	1,085	Total	4,488	100%	20.0'	9 fc	28.7'	4 fc	Lamp Multiplier: 15L x 0.268, 27L x 0.468, 37L x 0.687 CCT Multiplier: 27K x 0.971, 30K x 0.985, 40K x 1.03, 50K x 1.06					
	50.00°	421				24.0'	6 fc	34.4'	3 fc						
	60.00°	302				28.0'	4 fc	40.1'	2 fc						
	70.00°	191													
80.00°	89														
90.00°	11														

Delivered Lumens: 4,488  
 Luminaire Watts: 39  
 LER: 115.08

CP at 0deg (Nadir): 3,451  
 CRI: 85+

Beam Angle: 71.18  
 Spacing Ratio: 0.92

Lamp Multiplier: 15L x 0.268, 27L x 0.468, 37L x 0.687  
 CCT Multiplier: 27K x 0.971, 30K x 0.985, 40K x 1.03, 50K x 1.06