
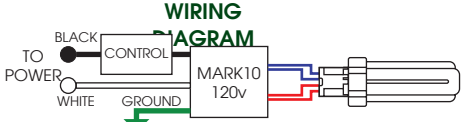

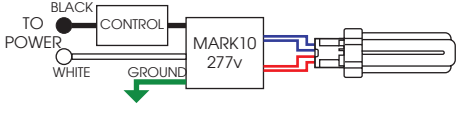

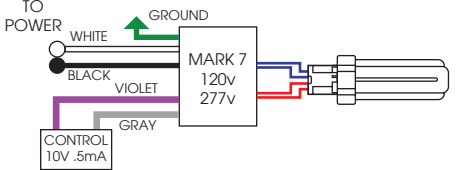

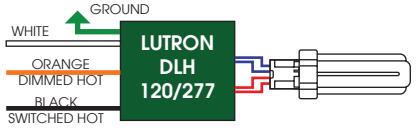

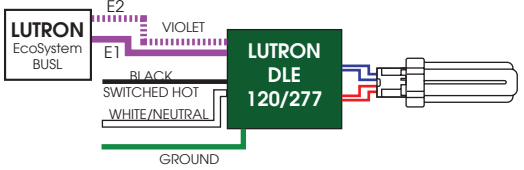




This specification sheet details compact fluorescent dimming options available for SPECTRUM lighting fixtures.

DIMMING BALLAST*

MODEL NO. NUMBER	DESCRIPTION	WIRING
DA1 	Mark 10 Dimming 2 wire/ 120v Only	
DA2 	Mark 10 Dimming 2 wire/ 277v Only	
DM7 	Mark 7 Dimming 0-10v 120v/277v	
DLH 	LUTRON™ HiLume 1% Dimming 120v/277v	
DLE 	LUTRON™ ECO System 5% Dimming 120v/277v	

SERIES	WATTS	BALLAST	OPTIONS	TRIM / FINISH	TRIM OPTIONS
SG48HSQ- Spectrum Gold 4" x 8" Horizontal Rectangle	126 132 142 157	<p>EX -Electronic- 120v-277v</p> <p>DA1 -Advance Mark 10™- 120v DA2 -Advance Mark 10™- 277v</p> <p>DM7 -Advance Mark 7™- 120v-277v</p> <p>DLH -Lutron Hi Lume™ 120/277 to 1%</p> <p>DLE -Lutron ECO System™ 120/277 to 5%</p> <p>* Some Dimming Ballasts have wattage limitations. CONSULT FACTORY</p>	<p>CB24 -C-Channel bars CCEA -Chicago Ceiling Plenum CCEA CR -Corrosion Resistant EM -Emergency battery pack FS -Fuse holder and fuse IC -Insulation Contact PR -Plaster Ring TBC -T-bar clips TST -Twist-Lok Socket</p>	<p>AR0408-SG -Semi-Diffuse Low Iridescent (standard) GM -Corrugated Soft Glow GO -Gold Alzak MB -Matte Black MW -Matte White PW -Pewter Alzak UM -Umber Alzak WE -Wheat Alzak BF -Black Flange WF -White Flange CC -Custom Color</p> <p>Note: Polished flange is standard.</p>	<p>FG -Frosted Glass GL -Clear Glass lens GS -Gasket SO -Micro Prism Solite™ lens PG -Prismatic (T73) lens SK -Skytek™ linear lens WL -Wet Location</p>

Dimensions shown are nominal. Spectrum Lighting is continually improving products and reserves the right to make changes that will not alter performance or appearance with or without written notice.

PROJECT: _____ **TYPE:** _____

CAT. NO.: _____