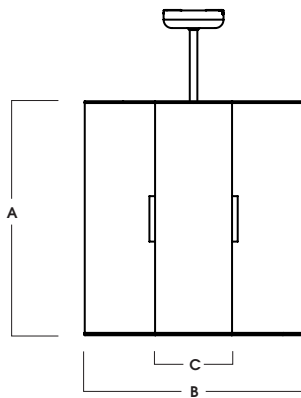


8" ROUND TRIO DIRECT / INDIRECT CHANDELIER SERIES



A	B	C
24.0 609.6 mm	22.7 576.6 mm	8.0 203.2 mm

Fixture Weight: 84.5 lbs

C3X0824UDXT - CEILING MOUNT

APPLICATION

8" round x 24" high cylinder pendant Trio for direct / indirect lighting.

FEATURES

Spectrum's Cylinder series provides traditional architectural style with high performance and energy efficient illumination. All fixtures are designed and manufactured in our factory. Cylinder pendant trio makes a statement with multiple lamp direct/indirect lighting. Rugged design with flexible mounting, finish and LED options make these extremely versatile fixtures. Quick change LED module with interchangeable optics for job site flexibility and fixture upgrade.

FINISH

Multi-stage polyester powder-coat process applied on our dedicated paint lines. See mounting and color pages for standard finishes. All exposed materials are chromate pretreated to resist corrosion.

ELECTRONICS

LED system features Xicato LED module with proprietary phosphor technology that provides consistent stable color with CCT control of +/- 100K over life of the light engine. Base CRI is 83 with 2-step MacAdam Ellipse binning. High CRI is 98 with 1 x 2-step MacAdam Ellipse binning. Variety of electronic 120V/277V and dimming drivers. 1 or 2 circuit operation.

CONSTRUCTION

Fabricated seamless aluminum fixture housing. Specular primary optical reflectors provide high efficiency illumination. Stainless steel hardware with galvanized steel brackets to resist corrosion. Trim formed from .063 thick high purity aluminum and finished to specification.

CODE COMPLIANCE

BAA compliant. ETL certified to meet US and Canadian standards. Suitable for dry or damp locations. Manufactured and tested to UL standards No. 1598/8750.

LUMENS / WATTAGE DATA				
PART NUMBER	SOURCE LUMENS	DELIVERED LUMENS ²	SYSTEM WATTS ³	LPW
C03X0824UDXT10Lx6	6000	4491	54.6	82
C3X0824UDXT13Lx6	7800	6051	78.0	78
C3X0824UDXT20Lx6	12000	9309	130.2	71

SERIES	UPLIGHT ⁴		DOWNLIGHT		CCT	DRIVER / DIMMING ⁷		OPTIONS ⁸	TRIM		MOUNTING ¹¹		FINISH ¹³		
	LUMENS ¹	OPTICS	LUMENS ¹	OPTICS		EX	DS10X		DO10X	DS2W1	TSG	TCY	TCC	NL ⁹	SO ¹⁰
C3X0824UDXT	10L	XN ⁵ 11°	10L	XN ⁵ 12°	83 CRI	Electronic Driver, 120V/277V	FS	Fuse Holder and Fuse	TSG	Semi Diffuse Low	HM ¹²	Hang-Straight Mounting	MW ¹⁴	Matte White	
	1000 Lm	ND 23°	1000 Lm	ND 22°	27K 2700K	10%, 0-10V, 120V/277V	2CIR	2 Circuit	TCY	Iridescent Clear	PM ¹²	Rigid Pendant Mount	MB ¹⁴	Matte Black	
	13L	MD 37°	13L	MD 39°	30K 3000K	1%, 0-10V, 120V/277V			TCC	Same Color as Cylinder	AT ¹²	Hang Straight All Thread	PT ¹⁴	Platinum Silver	
	1300 Lm	WD 42°	1300 Lm	WD 46°	35K 3500K	ELV/MLV, 120V				Custom Color			CC	Custom Color	
20L	XW 58°	20L	XW 57°	40K 4000K	98 CRI ⁶										
2000 Lm		2000 Lm		27HK 2700K					NL ⁹	No Lens	EMRM	7W Remote EM			
				30HK 3000K					SO ¹⁰	Micro Prism Solite™ Lens	EMEN	7W Remote with Enclosure			
				35HK 3500K					GL	Clear Glass Lens					
				40HK 4000K					FG	Frosted Glass Lens					

EXAMPLE: C3X0824UDXT20LND20LMD35KEX/TSGSO/HM36/MW

NOTES:
 1 Nominal Source Lumens At Any CCT 2 Nominal Delivered Lumens at 83 CRI at Any CCT with WD-GL, WD-TSG-SO 3 At 83 CRI 4 1/4" Clear Glass Only 5 13L Max/XN not Available with 98 CRI Option 6 20L Max
 7 Contact Factory for Additional Options 8 See Product Options Page for Details 9 Not Available for Uplight 10 Standard Lens 11 See Mounting Page for Details on Components and Finishes 12 Specify Length in Inches:
 See Mounting Page for Available Lengths 13 See Color Page for More Options/Consult Factory for Special Finishes 14 Standard Finishes



PROJECT: _____
 TYPE: _____



Dimensions and values shown are nominal. Spectrum Lighting continually works to improve products and reserves the right to make changes which may alter the performance or appearance of products.

8" ROUND TRIO DIRECT / INDIRECT

CHANDELIER SERIES / FIXTURE OPTIONS



STANDARD FINISHES

MW
MATTE WHITE



MB
MATTE BLACK

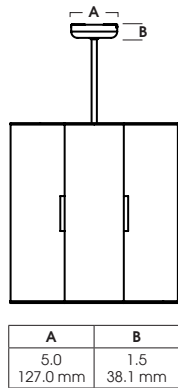


PT
PLATINUM SILVER

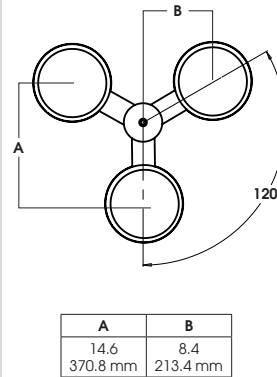
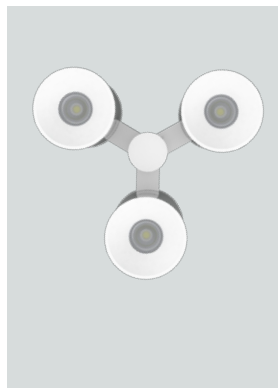


MOUNTING TYPES

HM / PM / AT
HANG STRAIGHT / PENDANT / ALL THREAD



BOTTOM VIEW

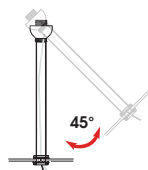
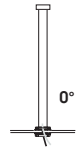
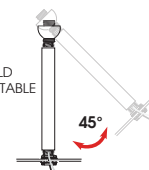
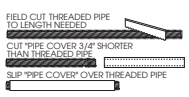


STANDARD MOUNTING & ACCESSORIES

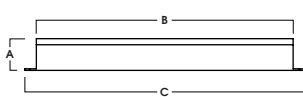
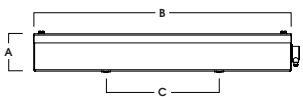
SOME OPTIONS NOT AVAILABLE ON ALL FIXTURES. CONSULT SPECIFICATION SHEETS. SEE INDIVIDUAL SPECIFICATION SHEETS OR CONSULT FACTORY FOR ADDITIONAL INFORMATION. NOTE: THIS IS TYPICAL OF CYLINDERS SPECIFICATION FOR PENDANT MOUNTING. INDIVIDUAL FIXTURES OR PROJECTS MAY HAVE SPECIALIZED REQUIREMENTS.



MOUNTING TYPES

<p>HM* HANG STRAIGHT 45° SWIVEL 5/8" OD STEM - 3/8" IP</p>  <p>ORDER: HM (Length) SPECIFY LENGTH: HM3 - 3" HM24 - 24" HM6 - 6" HM36 - 36" HM12 - 12" HM48 - 48" HM18 - 18" HM72 - 72" HMLC(XX) Custom Length (Specify in Inches)</p>	<p>PM* RIGID PENDANT MOUNT RIGID 5/8" OD STEM - 3/8" IP</p>  <p>ORDER: PM (Length) SPECIFY LENGTH: PM3 - 3" PM24 - 24" PM6 - 6" PM36 - 36" PM12 - 12" PM48 - 48" PM18 - 18" PM72 - 72" PMLC(XX) Custom Length (Specify in Inches)</p>	<p>AT** HANG STRAIGHT ALL THREAD 45° SWIVEL 5/8" OD STEM - 1/4" IP</p> <p>FIELD CUTTABLE</p>  <p>ORDER: AT (Length) SPECIFY LENGTH: AT12 - 12" AT24 - 24" AT36 - 36"</p>  <p>*MAXIMUM ONE PIECE STEM LENGTH IS 72". **MAXIMUM ONE PIECE STEM LENGTH IS 36". LONGER LENGTHS ARE POSSIBLE USING MULTIPLE STEMS AND COUPLERS.</p>
--	---	---

REMOTE EMERGENCY BATTERY OPTIONS

<p>EMRM* - 7W REMOTE EMERGENCY BATTERY (60" MAX)</p>  <table border="1"> <thead> <tr> <th>A</th> <th>B</th> <th>C</th> </tr> </thead> <tbody> <tr> <td>1.3</td> <td>12.6</td> <td>13.0</td> </tr> </tbody> </table>	A	B	C	1.3	12.6	13.0	<p>EMEN* - 7W REMOTE EMERGENCY BATTERY WITH ENCLOSURE (60" MAX)</p>  <table border="1"> <thead> <tr> <th>A</th> <th>B</th> <th>C</th> </tr> </thead> <tbody> <tr> <td>2.0</td> <td>17.0</td> <td>6.2</td> </tr> </tbody> </table>	A	B	C	2.0	17.0	6.2
A	B	C											
1.3	12.6	13.0											
A	B	C											
2.0	17.0	6.2											

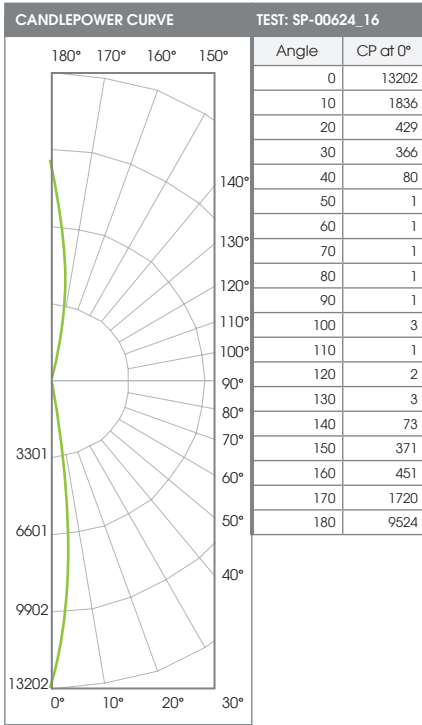
*OTHER EM BATTERY SIZES AVAILABLE. CONSULT FACTORY

8" ROUND TRIO DIRECT / INDIRECT
CHANDELIER SERIES / PHOTOMETRIC DATA



C0824UDXT-13LXNGL-13LXN-xxKEX-TSG-GLxxx

13Lx2 XTRA NARROW - 83 CRI



ZONAL LUMENS		
0-20	807	39%
0-40	1138	55%
0-60	1154	55%
0-90	1157	56%
90-120	8	0%
90-150	170	8%
90-180	924	44%
Total Lumens	2081	100%

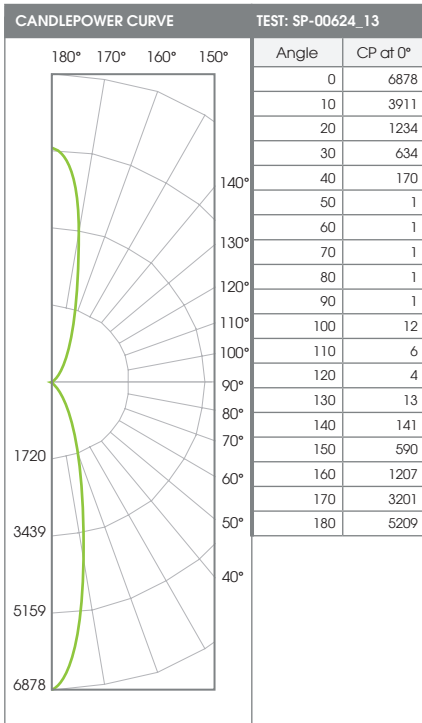
SINGLE UNIT: PERFORMANCE INITIAL FOOTCANDLES AND BEAM ANGLE DIAMETERS			
Mounting Height*	FC at Center	Diameter of Beam**	FC at Beam**
5.5'	436	1.1'	216
6.5'	312	1.3'	155
7.5'	235	1.5'	116
8.5'	183	1.7'	90
10.0'	132	2.0'	65
12.0'	92	2.4'	45
14.0'	67	2.8'	33
16.0'	52	3.2'	26

SINGLE UNIT: PERFORMANCE INITIAL FOOTCANDLES AND BEAM ANGLE DIAMETERS			
Mounting Height*	FC at Center	Diameter of Beam**	FC at Beam**
4.0'	825	0.8'	409
5.0'	523	1.0'	261
6.0'	367	1.2'	182
8.0'	206	1.6'	102
10.0'	132	2.0'	65
12.0'	92	2.4'	45
14.0'	67	2.8'	33
16.0'	52	3.2'	26

Delivered Lumens: 2081 CP @ 0° (Nadir): 13202 Spacing Ratio: N/A
 Luminaire Watts: 36.8 Direct Beam Angle: 11.5° Output Multipliers: 10L x 0.74
 LER: 57 Indirect Beam Angle: 11.3°
 CRI: 83

C0824UDXT-20LNDGL-20LND-xxKEX-TSG-GLxxx

20Lx2 NARROW - 83 CRI



ZONAL LUMENS		
0-20	1135	33%
0-40	1802	53%
0-60	1844	54%
0-90	1847	54%
90-120	30	1%
90-150	280	8%
90-180	1568	46%
Total Lumens	3414	100%

SINGLE UNIT: PERFORMANCE INITIAL FOOTCANDLES AND BEAM ANGLE DIAMETERS			
Mounting Height*	FC at Center	Diameter of Beam**	FC at Beam**
5.5'	227	2.0'	110
6.5'	163	2.4'	79
7.5'	122	2.8'	59
8.5'	95	3.1'	46
10.0'	69	3.7'	33
12.0'	48	4.4'	23
14.0'	35	5.2'	17
16.0'	27	5.9'	13

SINGLE UNIT: PERFORMANCE INITIAL FOOTCANDLES AND BEAM ANGLE DIAMETERS			
Mounting Height*	FC at Center	Diameter of Beam**	FC at Beam**
4.0'	430	1.6'	206
5.0'	275	2.0'	132
6.0'	191	2.5'	92
8.0'	107	3.3'	52
10.0'	69	4.1'	33
12.0'	48	4.9'	23
14.0'	35	5.7'	17
16.0'	27	6.5'	13

Delivered Lumens: 3414 CP @ 0° (Nadir): 6878 Spacing Ratio: N/A
 Luminaire Watts: 43.4 Direct Beam Angle: 20.9° Output Multipliers: 10L x 0.48, 13L x 0.65
 LER: 79 Indirect Beam Angle: 23.1°
 CRI: 83

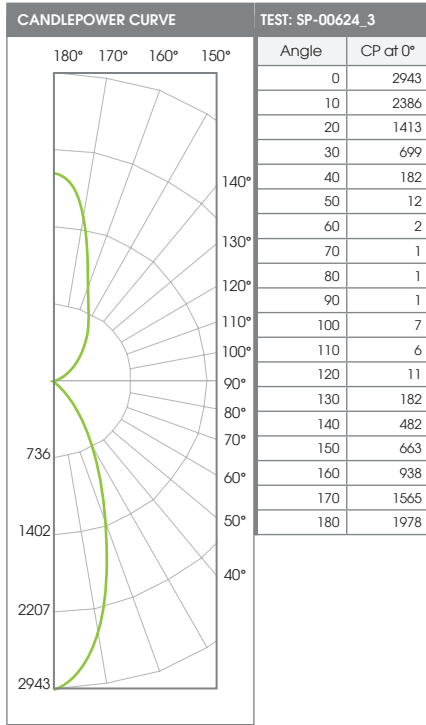
8" ROUND TRIO DIRECT / INDIRECT

CHANDELIER SERIES / PHOTOMETRIC DATA



C0824UDXT-20LMDGL-20LMD-xxKEX-TSG-SOxxx

20Lx2 MEDIUM - 83 CRI



ZONAL LUMENS		
0-20	773	25%
0-40	1503	48%
0-60	1564	50%
0-90	1567	51%
90-120	18	1%
90-150	675	22%
90-180	1534	49%
Total Lumens	3101	100%

SINGLE UNIT: PERFORMANCE INITIAL FOOTCANDLES AND BEAM ANGLE DIAMETERS			
Mounting Height*	FC at Center	Diameter of Beam**	FC at Beam**
5.5'	97	4.0'	43
6.5'	70	4.7'	31
7.5'	52	5.4'	23
8.5'	41	6.1'	18
10.0'	29	7.2'	13
12.0'	20	8.6'	9
14.0'	15	10.1'	7
16.0'	11	11.5'	5

SINGLE UNIT: PERFORMANCE INITIAL FOOTCANDLES AND BEAM ANGLE DIAMETERS			
Mounting Height*	FC at Center	Diameter of Beam**	FC at Beam**
4.0'	184	2.6'	83
5.0'	118	3.3'	53
6.0'	82	4.0'	37
8.0'	46	5.3'	21
10.0'	29	6.6'	13
12.0'	20	7.9'	9
14.0'	15	9.3'	7
16.0'	11	10.6'	5

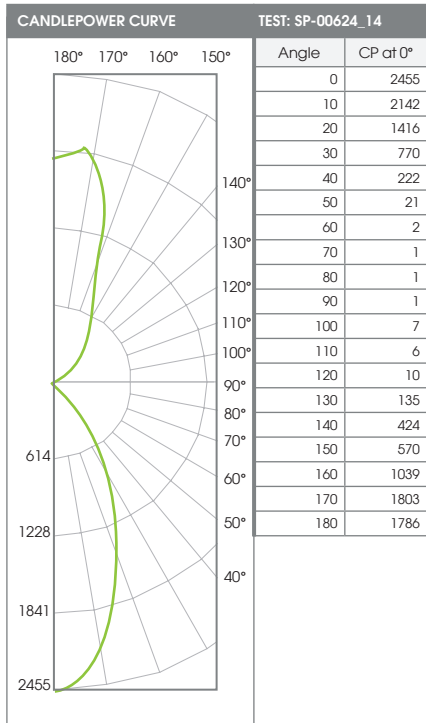
Delivered Lumens: 3101
Luminaire Watts: 43.4
LER: 71

CP @ 0° (Nadir): 2943
Direct Beam Angle: 39.6°
Indirect Beam Angle: 36.6°
CRI: 83

Spacing Ratio: N/A
Output Multipliers: 10L x 0.48, 13L x 0.65

C0824UDXT-20LWDGL-20LWD-xxKEX-TSG-SOxxx

20Lx2 WIDE - 83 CRI



ZONAL LUMENS		
0-20	712	23%
0-40	1501	48%
0-60	1578	51%
0-90	1581	51%
90-120	18	1%
90-150	599	19%
90-180	1522	49%
Total Lumens	3103	100%

SINGLE UNIT: PERFORMANCE INITIAL FOOTCANDLES AND BEAM ANGLE DIAMETERS			
Mounting Height*	FC at Center	Diameter of Beam**	FC at Beam**
5.5'	81	4.7'	34
6.5'	58	5.5'	25
7.5'	44	6.4'	18
8.5'	34	7.2'	14
10.0'	25	8.5'	10
12.0'	17	10.2'	7
14.0'	13	11.9'	5
16.0'	10	13.6'	4

SINGLE UNIT: PERFORMANCE INITIAL FOOTCANDLES AND BEAM ANGLE DIAMETERS			
Mounting Height*	FC at Center	Diameter of Beam**	FC at Beam**
4.0'	153	3.1'	67
5.0'	98	3.8'	43
6.0'	68	4.6'	30
8.0'	38	6.2'	17
10.0'	25	7.7'	11
12.0'	17	9.2'	7
14.0'	13	10.8'	5
16.0'	10	12.3'	4

Delivered Lumens: 3103
Luminaire Watts: 43.4
LER: 71

CP @ 0° (Nadir): 2455
Direct Beam Angle: 46.0°
Indirect Beam Angle: 42.1°
CRI: 83

Spacing Ratio: N/A
Output Multipliers: 10L x 0.48, 13L x 0.65

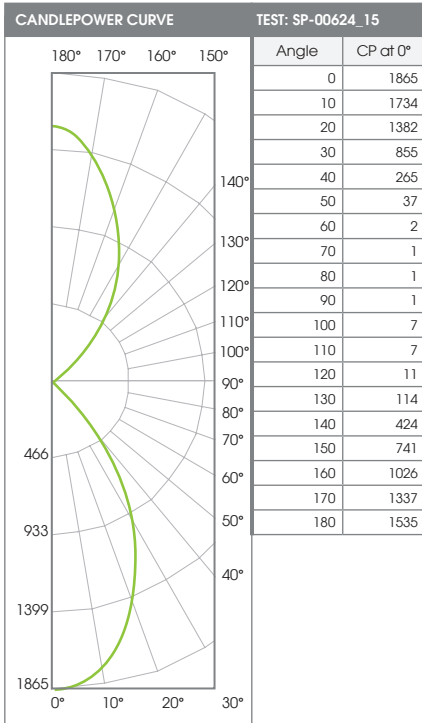
8" ROUND TRIO DIRECT / INDIRECT

CHANDELIER SERIES / PHOTOMETRIC DATA



C0824UDXT-20LXWGL-20LXW-xxKEX-TSG-SOxxx

20Lx2 XTRA NARROW - 83 CRI



Angle	CP at 0°
0	1865
10	1734
20	1382
30	855
40	265
50	37
60	2
70	1
80	1
90	1
100	7
110	7
120	1
130	1
140	2
150	37
160	265
170	855
180	1865

Angle Range	Lumens	%
0-20	611	20%
0-40	1483	48%
0-60	1594	52%
0-90	1597	52%
90-120	19	1%
90-150	612	20%
90-180	1479	48%
Total Lumens	3076	100%

Mounting Height*	FC at Center	Diameter of Beam**	FC at Beam**
5.5'	62	6.2'	23
6.5'	44	7.3'	17
7.5'	33	8.4'	13
8.5'	26	9.6'	10
10.0'	19	11.2'	7
12.0'	13	13.5'	5
14.0'	10	15.7'	4
16.0'	7	18.0'	3

* From aperture to horizontal surface below.
** At IESNA defined Beam Angle, to 50% Max. CP.

Mounting Height*	FC at Center	Diameter of Beam**	FC at Beam**
4.0'	117	4.4'	45
5.0'	75	5.6'	29
6.0'	52	6.7'	20
8.0'	29	8.9'	11
10.0'	19	11.1'	7
12.0'	13	13.3'	5
14.0'	10	15.6'	4
16.0'	7	17.8'	3

* From aperture to horizontal surface below.
** At IESNA defined Beam Angle, to 50% Max. CP.

Delivered Lumens: 3076 CP @ 0° (Nadir): 1865 Spacing Ratio: N/A
 Luminaire Watts: 43.4 Direct Beam Angle: 58.7° Output Multipliers: 10L x 0.48, 13L x 0.65
 LER: 71 Indirect Beam Angle: 58.1°
 CRI: 83

COLOR OPTIONS - POWDER COAT PAINT FINISHES

NOTE: NO PRINTED IMAGE CAN EQUAL THE EXACT COLOR OF FINISH ON METAL.
SEE INDIVIDUAL SPECIFICATION SHEETS OR CONSULT FACTORY FOR ADDITIONAL INFORMATION.



STANDARD CORD / STEM / CANOPY FINISHES

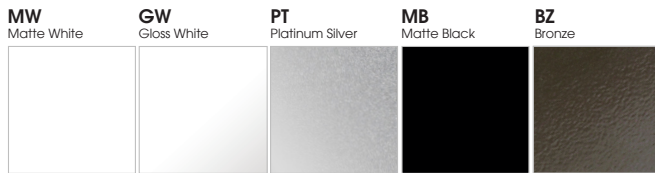
FIXTURE COLOR	STANDARD CORD COLOR	STANDARD CANOPY / STEM COLOR
Matte White, Textured White	Matte White	Matte White
Gloss White	Matte White	Gloss White
Matte Black, Textured Black	Matte Black	Matte Black
All Others	Matte Black	Same Color as Fixture
Custom Color	Contact Factory	Contact Factory

PAINT TIMES

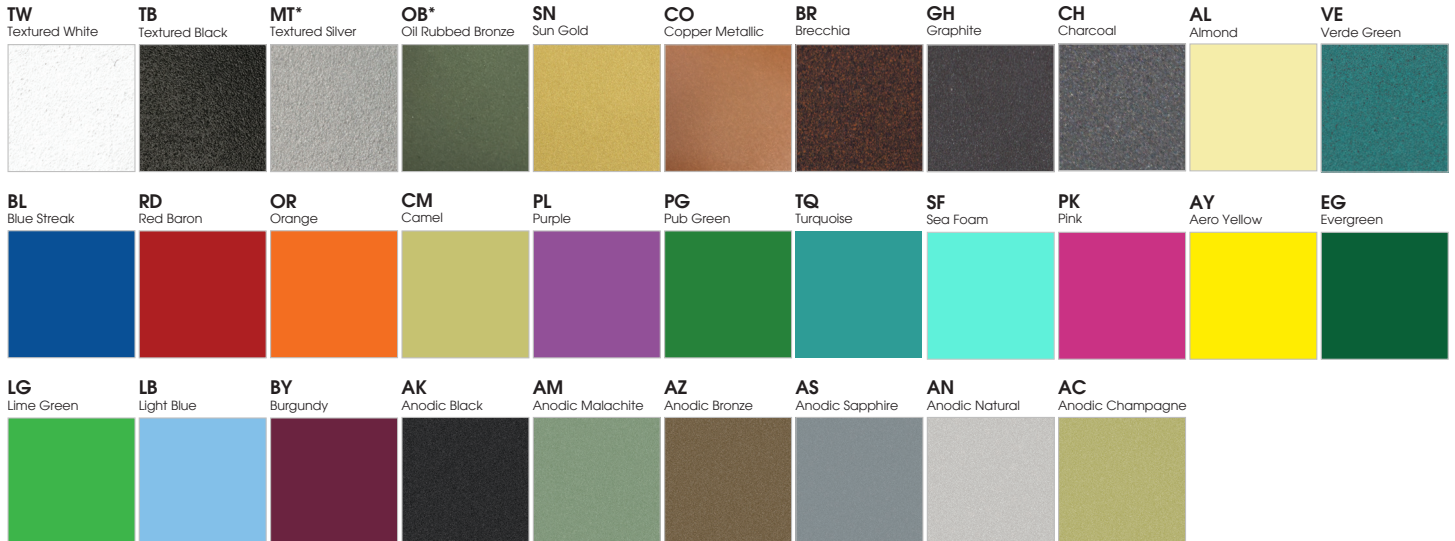
TIER	COST	AVERAGE PAINT TIME*
Tier 1 - Standard Finishes	\$	⌚
Tier 2 - Typical Finishes	\$\$	⌚⌚
Custom Color	Contact Factory	Contact Factory

*CONTACT FACTORY FOR SPECIFIC PRODUCT LEAD TIMES

TIER 1 - STANDARD FINISHES



TIER 2 - TYPICAL FINISHES



CUSTOM COLOR FINISHES

CONTACT FACTORY

CC
Custom Color



*UNAVAILABLE FOR WET LOCATION