



spectrum
lighting

spectrum
lighting

COMFORT ZONE

MINI BAY

LIGHTING SOLUTIONS

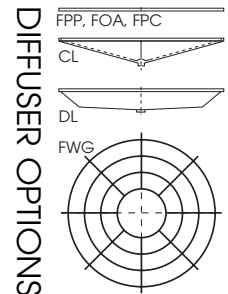
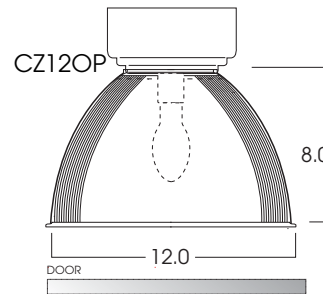
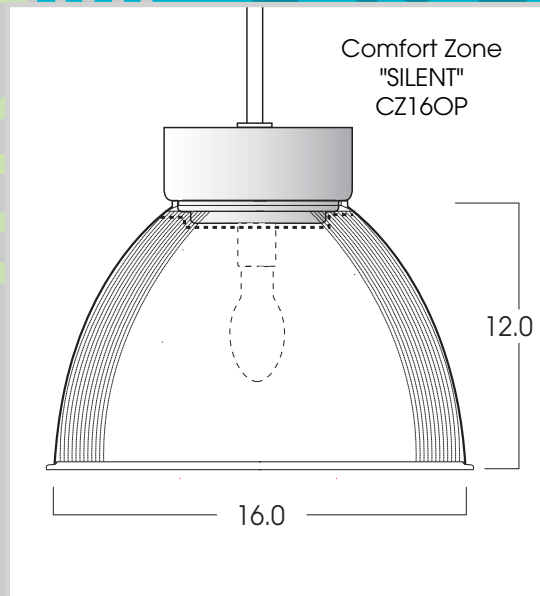
COMFORT ZONE "SILENT" LOW MOUNTED FIXTURES ED17 METAL HALIDE



The *Comfort Zone "SILENT"* Series offers a unique solution to low mounting height applications

FEATURES:

- Refractor is opalescent acrylic, with exterior linear detail. Exterior glow softens transition to surroundings.
- Diffusers available mounted in matching spun aluminum door.
- Electronic Metal Halide ballasts (120/277) are located in easy access housings at fixture level.
- Choice of mounting options and mounting systems
- Damp location listed. WL option.
- Manufactured and tested to UL standard No. 1598. ETL Listed.



MODEL NO

CZ1208OP-
12" X 8"
Opaline finish refractor

CZ1611OP-
16" X 11"
Opaline finish refractor

WATTAGE

70- 70 W ED17
100- 100 W ED17

BALLAST

EX- Electronic 120/277 Standard

OPTION

QRS- Quartz Re-strike

DIFFUSERS*

PG- Flat Prismatic Lens

GL- Tempered Glass Lens

CNL- Conical Lens.

DRL- Drop Lens

FWG- Flat Wire Guard

* All diffusers require door.

MOUNTING

HM- Hang-straight Pendant.

CD- Aircraft Cable, Straight cord

SM- Surface Mount

FINISH

WH- White (Standard)

MT- Mini Tek Silver

BT- Mini Tek Black

** - Custom Finish Consult the Factory

EXAMPLE: **CZ16OP**

70

EX

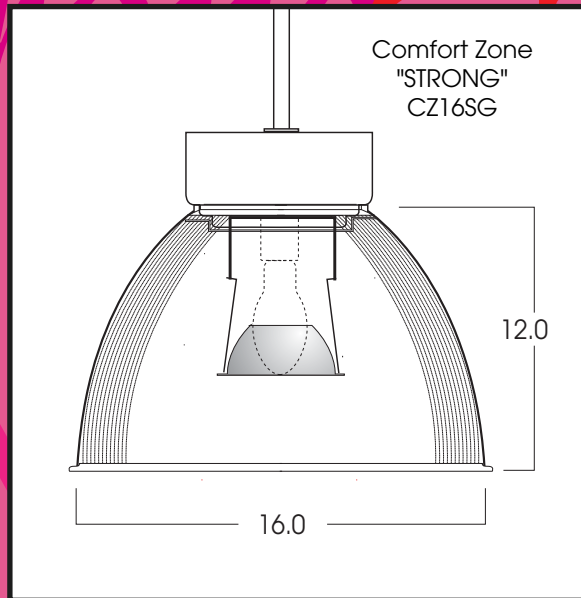
CNL

HM

WH

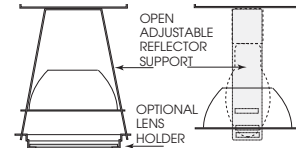


COMFORT ZONE "STRONG" PENDANT MOUNTED FIXTURES ED17/T-6 METAL HALIDE

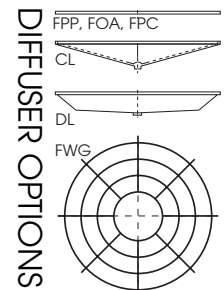
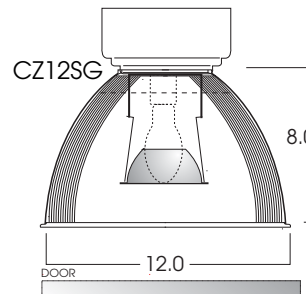


"STRONG" series for higher ceilings. Internal reflector maximizes illumination while etched refractor softens glare.
FEATURES:

- Refractor has proprietary soft-glow etched finish.
- Adjustable inner reflector has 2 height settings for medium and wide distribution.
- Optional lens holder for enclosed rated lamps.



- Diffusers available mounted in matching spun aluminum door.
- Aluminum reflector available.
- Electronic Metal Halide ballasts (120/277) are located in easy access housings.
- Choice of mounting options and mounting systems
- Damp location listed. WL option.
- Manufactured and tested to UL standard No. 1598. ETL Listed.



MODEL NO	WATTAGE	BALLAST	OPTIONS	DIFFUSERS*	MOUNTING	FINISH
CZ1208SG- 12" X 8" Soft Glow Etch in Reflector	70- 70 W ED17 100- 100 W ED17	EX- Electronic 120/277 Standard	L1- Internal Lens Holder Single lens	PG- Flat Prismatic Lens GL- Tempered Glass Lens	HM- Hang- straight Pendant.	WH- White (Standard)
CZ1611SG- 16" X 11" Soft Glow Etch in Reflector	39T6- 39 W T-6 Ceramic lamp	OPTION QRS- Quartz Re-strike	GL- Tempered Glass Lens (standard with T-6 lamp	CNL- Conical Lens. DRL- Drop Lens FWG- Flat Wire Guard	CD- Aircraft Cable, Straight Cord	MT- Mini Tek Silver
CZ1208AL- 12" X 8" Aluminum Reflector	70T6- 70 W T-6 Ceramic lamp		SOL- Solite Lens HL- Hex Louver. use with lens holder	<i>* All diffusers require door.</i>	SM- Surface Mount	BT- Mini Tek Black
CZ1611AL- 16" X 11" Aluminum Reflector						** - Custom Finish Consult the Factory
EXAMPLE: CZ16SG	70	EX	L1GL	CNL	HM	WH



COMFORT ZONE METAL HALIDE MINI BAY FIXTURES

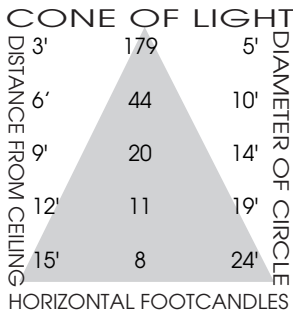
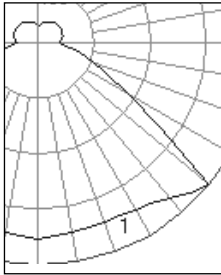
PHOTOMETRICS

MODEL NO: CZ1611OP100MHEX/HM36WH

Lamp100WATT ED17
 Lamp Lumens/Total 8500
 Total Luminaire Efficiency86.4%
 CIE TypeDirect
 Spacing Criteria (0-180 Degree)1.56
 Spacing Criteria (90-270 Degree)1.56
 Basic Luminous ShapeCIRCULAR

CANDELA

- 0 1617
- 10 1594
- 20 1575
- 30 1593
- 40 1672
- 50 1830
- 60 849
- 70 474
- 80 268
- 90 179
- 100 198
- 110 211
- 120 214
- 130 210
- 140 202
- 150 189
- 160 173
- 170 147
- 180 132

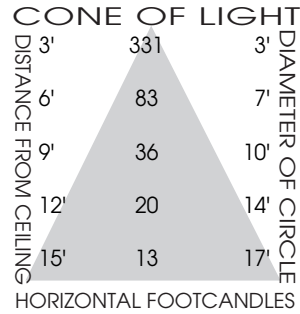
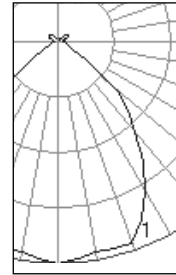


MODEL NO: CZ1611SG100MHEX/HM36WH

Lamp100 WATT ED17
 Lamp Lumens/Total 8500
 Total Luminaire Efficiency69.1%
 CIE TypeDirect
 Spacing Criteria (0-180 Degree)1.18
 Spacing Criteria (90-270 Degree)1.18
 Basic Luminous ShapeCIRCULAR

CANDELA

- 0 2986
- 10 2878
- 20 2880
- 30 2327
- 40 1598
- 50 1076
- 60 238
- 70 114
- 80 69
- 90 65
- 100 81
- 110 120
- 120 155
- 130 82
- 140 35
- 150 23
- 160 20
- 170 19
- 180 18



Coefficients Of Utilization - Zonal Cavity
 Effective Floor Cavity Reflectance 0.20

RC	80				70				50				30				10				0			
	RW	70	50	30	10	70	50	30	10	50	30	10	50	30	10	50	30	10	50	30	10	0		
0	99	99	99	99	95	95	95	95	88	88	88	81	81	81	75	75	75	72						
1	90	86	82	79	86	83	79	76	76	73	71	70	68	66	65	63	62	59						
2	82	75	69	64	78	72	66	62	66	62	58	61	58	55	57	54	51	49						
3	74	65	58	52	71	63	56	51	58	53	48	54	49	46	50	46	43	41						
4	68	57	50	44	65	55	48	43	51	45	41	47	43	39	44	40	37	34						
5	62	51	43	37	59	49	42	36	46	39	35	42	37	33	39	35	31	29						
6	57	45	38	32	54	44	37	31	41	35	30	38	33	29	35	31	27	25						
7	53	41	33	28	50	39	32	27	37	31	26	34	29	25	32	27	24	22						
8	49	37	30	25	47	36	29	24	33	27	23	31	26	22	29	25	21	19						
9	45	34	27	22	43	33	26	21	31	25	20	29	23	20	27	22	19	17						
10	42	31	24	19	40	30	23	19	28	22	18	26	21	18	25	20	17	15						

Coefficients Of Utilization - Zonal Cavity
 Effective Floor Cavity Reflectance 0.20

RC	80				70				50				30				10				0			
	RW	70	50	30	10	70	50	30	10	50	30	10	50	30	10	50	30	10	50	30	10	0		
0	81	81	81	81	78	78	78	78	73	73	73	69	69	69	65	65	65	63						
1	75	73	70	68	73	71	69	67	67	65	64	63	62	61	60	59	58	56						
2	70	66	62	59	68	64	60	58	61	58	55	57	55	53	55	53	51	50						
3	65	59	55	51	63	58	54	50	55	52	49	52	50	47	50	48	46	44						
4	61	54	49	45	59	52	48	44	50	46	43	48	45	42	46	43	41	39						
5	56	49	44	40	55	48	43	39	46	42	39	44	40	38	42	39	37	35						
6	53	45	39	36	51	44	39	35	42	38	35	40	37	34	39	36	33	32						
7	49	41	36	32	48	40	35	32	39	34	31	37	33	31	36	33	30	29						
8	46	38	33	29	45	37	32	29	36	31	28	35	31	28	33	30	27	26						
9	43	35	30	27	42	34	30	26	33	29	26	32	28	26	31	28	25	24						
10	41	32	28	24	39	32	27	24	31	27	24	30	26	23	29	26	23	22						



SPECTRUM
 LIGHTING, INC.

ARCHITECTURAL LIGHTING 994 Jefferson Street . Fall River, MA 02721 . 508.678.2303 FAX 508.678.2260