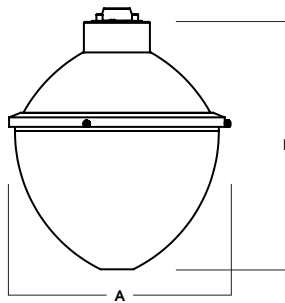


PRISMATIC ACORN CLUSTER

PA SERIES



3XPA1415 SHOWN



A	B
13.3	15.5
337.8 mm	393.7 mm

2X, 3X & 4X CLUSTER DETAILS ON SECOND PAGE

2XPA1415GV, 3XPA1415GV, 4XPA1415GV

APPLICATION

Lumen Max GV series performance pendant for low, mid and high-bay applications. 2X, 3X, and 4X clusters make a bold statement in large spaces.

FEATURES

Lumen Max prismatic acrylic refractors provide excellent area illumination with 19% upward and 81% downward distribution. Single mid-powered LED modules produce up to 3700 lumens. A wide variety of mounting options. LED module and driver are serviceable for future replacement and maintenance. Five year warranty.

FINISH

Multi-stage polyester powder-coat process applied on our dedicated paint lines. Variety of standard and custom finishes are available. All exposed materials are chromate pretreated to resist corrosion.

ELECTRONICS

GV LED system features high brightness white Samsung LED's. 3-step MacAdam Ellipse binning. Standard CRI: 80+. Higher CRI, R9 and custom LED configurations are available; consult factory. Variety of electronic 120V/277V and dimming drivers.

CONSTRUCTION

Fixture shades are spun in our factory from 0.060" high purity aluminum. Refractor is molded UV stabilized acrylic with clear prismatic options.

CODE COMPLIANCE

BAA compliant. ETL certified to meet US and Canadian standards. Suitable for dry or damp locations. Manufactured and tested to UL standards No. 1598/8750.

LUMENS / WATTAGE DATA				
PART NUMBER	SOURCE LUMENS ¹	DELIVERED LUMENS ²	SYSTEM WATTS	LPW
PA1415GV15L	1500	1290	10	129
PA1415GV27L	2700	2333	18	129
PA1415GV37L	3700	3156	26	121

SERIES	LUMENS ¹	CCT	DRIVER / DIMMING ⁵	OPTIONS ⁶	MOUNTING ⁷	FINISH ¹⁰	
2XPA1415GV ³ 2 Acorn Cluster	15L 1500 Lm	27K 2700K	EX Electronic Driver, 120V/277V DS10X 10% 0-10V, 120V/277V DO10X 1% 0-10V, 120V/277V	FS Fusing	DRIVER CANOPY		MW ¹¹ Matte White
	27L 2700 Lm	30K 3000K			CP14 Housing for 2X Fixture	MB ¹¹ Matte Black	
3XPA1415GV ⁴ 3 Acorn Cluster	37L 3700 Lm	35K 3500K			CP15 Housing for 3X and 4X Fixture	PT ¹¹ Platinum Silver	
		40K 4000K				CC Custom Color	
4XPA1415GV ⁴ 4 Acorn Cluster					MOUNTING OPTIONS		See Page 5 for Full Range of Color Options (83-90081)
					HM ⁸ Hang Straight		
					PM ⁸ Rigid Pendant		
					CD ⁸ Cord / Cable Mount		
EMERGENCY BATTERY OPTIONS							
					EMCR ⁹ 10W Canopy Mounted EM		
					EMRM 7W Remote EM		
					EMEN 7W Remote with Enclosure		

EXAMPLE: 3XPA1415GV37L30KEX/CP15HM36/MW

NOTES:
 1 Nominal Source Lumens at 35K 2 Nominal Delivered Lumens per Acorn at 35K 3 CP14 Required 4 CP15 Required 5 Contact Factory for Additional Options 6 See Product Options Page for Details 7 See Mounting Page for Details on Components and Finishes 8 Specify Length in Inches: See Mounting Page for Available Lengths 9 EMCR Replaces CP14/CP15 10 See Color Page for More Options/Consult Factory for Special Finishes 11 Standard Finishes



PROJECT: _____
 QUANTITY: _____ TYPE: _____

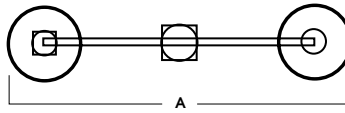


PRISMATIC ACORN CLUSTER

PA SERIES / FIXTURE OPTIONS



2XPA1415GV - 2 PENDANT CLUSTER

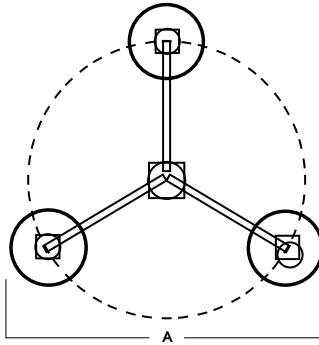


SERIES	A
PA1415 2X ³	48.0 1219.2 mm

LUMENS / WATTAGE DATA

PART NUMBER	SOURCE LUMENS ¹	DELIVERED LUMENS ²	SYSTEM WATTS	LPW
PA14152XLEDGV15L	3000	2580	20	129
PA14152XLEDGV27L	5400	4666	36	129.6
PA14152XLEDGV37L	7400	6312	52	121.4

3XPA1415GV - 3 PENDANT CLUSTER

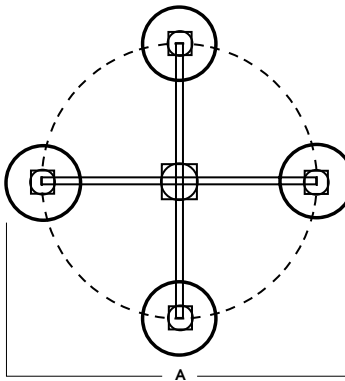


SERIES	A
PA1415 3X ⁴	48.0 1219.2 mm

LUMENS / WATTAGE DATA

PART NUMBER	SOURCE LUMENS ¹	DELIVERED LUMENS ²	SYSTEM WATTS	LPW
PA14153XLEDGV15L	4500	3870	30	129
PA14153XLEDGV27L	8100	6999	54	129.6
PA14153XLEDGV37L	11100	9468	78	121.4

4XPA1415GV - 4 PENDANT CLUSTER



SERIES	A
PA1415 4X ⁴	48.0 1219.2 mm

LUMENS / WATTAGE DATA

PART NUMBER	SOURCE LUMENS ¹	DELIVERED LUMENS ²	SYSTEM WATTS	LPW
PA14154XLEDGV15L	6000	5160	40	129
PA14154XLEDGV27L	10800	9332	72	129.6
PA14154XLEDGV37L	14800	12624	104	121.4

NOTES:
¹ Nominal Source Lumens at 35K ² Nominal Delivered Lumens at 35K with Clear Prismatic Refractors ³ CP14 Required ⁴ CP15 Required



PRISMATIC ACORN PENDANT

PA SERIES / PHOTOMETRIC DATA



PA1415GV-37L-35K-EX-CP13

CANDLEPOWER CURVE	INTENSITY	ZONAL LUMENS	SINGLE UNIT: PERFORMANCE INITIAL FOOTCANDLES BASED ON IES BEAM ANGLE	MULTIPLE UNITS: PERFORMANCE 80/50/20% REFLECTANCES INITIAL FOOTCANDLES AND WATTS PER SQUARE FOOT																																																																																																																								
	0.00°	0° - 20°	234	7%	<table border="1"> <thead> <tr> <th rowspan="2">Ceiling Height</th> <th rowspan="2">Fixture Spacing</th> <th colspan="2">RCR 2</th> <th colspan="2">RCR 4</th> </tr> <tr> <th>FC +</th> <th>W/Sq. Ft.</th> <th>FC +</th> <th>W/Sq. Ft.</th> </tr> </thead> <tbody> <tr> <td>8'</td> <td>8' **</td> <td>33</td> <td>0.34</td> <td>25</td> <td>0.34</td> </tr> <tr> <td>12'</td> <td>10' ***</td> <td>29</td> <td>0.30</td> <td>22</td> <td>0.30</td> </tr> <tr> <td>16'</td> <td>12' ****</td> <td>19</td> <td>0.20</td> <td>9</td> <td>0.13</td> </tr> <tr> <td colspan="2">Delivered Illuminance Rating: (DIR)</td> <td colspan="2">97 FC per W/Sq. Ft.</td> <td colspan="2">74 FC per W/Sq. Ft.</td> </tr> <tr> <td colspan="6"> 2' Suspension Length Square rooms used for multiple units: - RCR 2: Length & Width = Ceiling Ht. - 4.5' x 5.00 - RCR 4: Length & Width = Ceiling Ht. - 4.5' x 2.50 + Average Footcandles at 2.5' Above Floor * Exceeds spacing criteria by 45% ** Exceeds spacing criteria by -16% *** Exceeds spacing criteria by -34% </td> </tr> <tr> <td>0.00°</td> <td>559</td> <td>20° - 50°</td> <td>1,067</td> <td>34%</td> <td rowspan="2"> <table border="1"> <thead> <tr> <th>Mounting Height AFF</th> <th>FC at Center on Floor</th> </tr> </thead> <tbody> <tr> <td>5.5'</td> <td>18 fc</td> </tr> <tr> <td>6.5'</td> <td>13 fc</td> </tr> <tr> <td>7.5'</td> <td>10 fc</td> </tr> <tr> <td>8.5'</td> <td>8 fc</td> </tr> <tr> <td>10.0'</td> <td>6 fc</td> </tr> <tr> <td>12.0'</td> <td>4 fc</td> </tr> <tr> <td>14.0'</td> <td>3 fc</td> </tr> <tr> <td>16.0'</td> <td>2 fc</td> </tr> </tbody> </table> </td> </tr> <tr> <td>20.00°</td> <td>603</td> <td>50° - 80°</td> <td>1,048</td> <td>33%</td> </tr> <tr> <td>40.00°</td> <td>573</td> <td>80° - 90°</td> <td>225</td> <td>7%</td> </tr> <tr> <td>60.00°</td> <td>402</td> <td>0° - 90°</td> <td>2,574</td> <td>81%</td> </tr> <tr> <td>80.00°</td> <td>241</td> <td>90° - 120°</td> <td>385</td> <td>12%</td> </tr> <tr> <td>90.00°</td> <td>175</td> <td>120° - 150°</td> <td>153</td> <td>5%</td> </tr> <tr> <td>100.00°</td> <td>129</td> <td>Total</td> <td>3,162</td> <td>100%</td> </tr> <tr> <td>110.00°</td> <td>106</td> <td></td> <td></td> <td></td> </tr> <tr> <td>120.00°</td> <td>86</td> <td></td> <td></td> <td></td> </tr> <tr> <td>140.00°</td> <td>59</td> <td></td> <td></td> <td></td> </tr> <tr> <td>160.00°</td> <td>59</td> <td></td> <td></td> <td></td> </tr> <tr> <td>180.00°</td> <td>69</td> <td></td> <td></td> <td></td> </tr> </tbody> </table>	Ceiling Height	Fixture Spacing	RCR 2		RCR 4		FC +	W/Sq. Ft.	FC +	W/Sq. Ft.	8'	8' **	33	0.34	25	0.34	12'	10' ***	29	0.30	22	0.30	16'	12' ****	19	0.20	9	0.13	Delivered Illuminance Rating: (DIR)		97 FC per W/Sq. Ft.		74 FC per W/Sq. Ft.		2' Suspension Length Square rooms used for multiple units: - RCR 2: Length & Width = Ceiling Ht. - 4.5' x 5.00 - RCR 4: Length & Width = Ceiling Ht. - 4.5' x 2.50 + Average Footcandles at 2.5' Above Floor * Exceeds spacing criteria by 45% ** Exceeds spacing criteria by -16% *** Exceeds spacing criteria by -34%						0.00°	559	20° - 50°	1,067	34%	<table border="1"> <thead> <tr> <th>Mounting Height AFF</th> <th>FC at Center on Floor</th> </tr> </thead> <tbody> <tr> <td>5.5'</td> <td>18 fc</td> </tr> <tr> <td>6.5'</td> <td>13 fc</td> </tr> <tr> <td>7.5'</td> <td>10 fc</td> </tr> <tr> <td>8.5'</td> <td>8 fc</td> </tr> <tr> <td>10.0'</td> <td>6 fc</td> </tr> <tr> <td>12.0'</td> <td>4 fc</td> </tr> <tr> <td>14.0'</td> <td>3 fc</td> </tr> <tr> <td>16.0'</td> <td>2 fc</td> </tr> </tbody> </table>	Mounting Height AFF	FC at Center on Floor	5.5'	18 fc	6.5'	13 fc	7.5'	10 fc	8.5'	8 fc	10.0'	6 fc	12.0'	4 fc	14.0'	3 fc	16.0'	2 fc	20.00°	603	50° - 80°	1,048	33%	40.00°	573	80° - 90°	225	7%	60.00°	402	0° - 90°	2,574	81%	80.00°	241	90° - 120°	385	12%	90.00°	175	120° - 150°	153	5%	100.00°	129	Total	3,162	100%	110.00°	106				120.00°	86				140.00°	59				160.00°	59				180.00°	69			
	Ceiling Height	Fixture Spacing	RCR 2					RCR 4																																																																																																																				
			FC +	W/Sq. Ft.	FC +	W/Sq. Ft.																																																																																																																						
	8'	8' **	33	0.34	25	0.34																																																																																																																						
	12'	10' ***	29	0.30	22	0.30																																																																																																																						
	16'	12' ****	19	0.20	9	0.13																																																																																																																						
	Delivered Illuminance Rating: (DIR)		97 FC per W/Sq. Ft.		74 FC per W/Sq. Ft.																																																																																																																							
	2' Suspension Length Square rooms used for multiple units: - RCR 2: Length & Width = Ceiling Ht. - 4.5' x 5.00 - RCR 4: Length & Width = Ceiling Ht. - 4.5' x 2.50 + Average Footcandles at 2.5' Above Floor * Exceeds spacing criteria by 45% ** Exceeds spacing criteria by -16% *** Exceeds spacing criteria by -34%																																																																																																																											
	0.00°	559	20° - 50°	1,067	34%	<table border="1"> <thead> <tr> <th>Mounting Height AFF</th> <th>FC at Center on Floor</th> </tr> </thead> <tbody> <tr> <td>5.5'</td> <td>18 fc</td> </tr> <tr> <td>6.5'</td> <td>13 fc</td> </tr> <tr> <td>7.5'</td> <td>10 fc</td> </tr> <tr> <td>8.5'</td> <td>8 fc</td> </tr> <tr> <td>10.0'</td> <td>6 fc</td> </tr> <tr> <td>12.0'</td> <td>4 fc</td> </tr> <tr> <td>14.0'</td> <td>3 fc</td> </tr> <tr> <td>16.0'</td> <td>2 fc</td> </tr> </tbody> </table>	Mounting Height AFF	FC at Center on Floor	5.5'	18 fc	6.5'	13 fc	7.5'	10 fc	8.5'	8 fc	10.0'	6 fc	12.0'	4 fc	14.0'	3 fc	16.0'	2 fc																																																																																																				
	Mounting Height AFF	FC at Center on Floor																																																																																																																										
	5.5'	18 fc																																																																																																																										
	6.5'	13 fc																																																																																																																										
	7.5'	10 fc																																																																																																																										
8.5'	8 fc																																																																																																																											
10.0'	6 fc																																																																																																																											
12.0'	4 fc																																																																																																																											
14.0'	3 fc																																																																																																																											
16.0'	2 fc																																																																																																																											
20.00°	603	50° - 80°	1,048	33%																																																																																																																								
40.00°	573	80° - 90°	225	7%																																																																																																																								
60.00°	402	0° - 90°	2,574	81%																																																																																																																								
80.00°	241	90° - 120°	385	12%																																																																																																																								
90.00°	175	120° - 150°	153	5%																																																																																																																								
100.00°	129	Total	3,162	100%																																																																																																																								
110.00°	106																																																																																																																											
120.00°	86																																																																																																																											
140.00°	59																																																																																																																											
160.00°	59																																																																																																																											
180.00°	69																																																																																																																											

Delivered Lumens: 3,162
Luminaire Watts: 26
LER: 121.62

CP at 0deg (Nadir): 559
CRI: 85+

Lamp Multiplier: 15L x 0.57, 27L x 1.0, 37L x 1.47
CCT Multiplier: 27K x 0.97, 30K x 0.99, 40K x 1.03

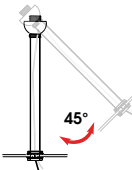
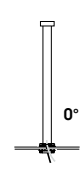



MOUNTING & ACCESSORIES

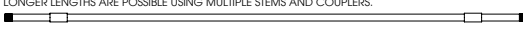
SOME OPTIONS NOT AVAILABLE ON ALL FIXTURES, CONSULT SPECIFICATION SHEETS. SEE INDIVIDUAL SPECIFICATION SHEETS OR CONSULT FACTORY FOR ADDITIONAL INFORMATION. NOTE: THIS IS TYPICAL OF LUMEN MAX SPECIFICATION FOR PENDANT MOUNTING. INDIVIDUAL FIXTURES OR PROJECTS MAY HAVE SPECIALIZED REQUIREMENTS.



MOUNTING TYPES

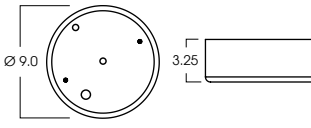
<p>HM* HANG STRAIGHT 45° SWIVEL 5/8" OD STEM - 3/8" IP</p>  <p>ORDER: HM (Length) SPECIFY LENGTH: HM3 - 3" HM24 - 24" HM6 - 6" HM36 - 36" HM12 - 12" HM48 - 48" HM18 - 18" HM72 - 72" HMLC(XX) Custom Length (Specify in Inches)</p>	<p>PM* RIGID PENDANT MOUNT RIGID 5/8" OD STEM - 3/8" IP</p>  <p>ORDER: PM (Length) SPECIFY LENGTH: PM3 - 3" PM24 - 24" PM6 - 6" PM36 - 36" PM12 - 12" PM48 - 48" PM18 - 18" PM72 - 72" PMLC(XX) Custom Length (Specify in Inches)</p>	<p>CD CORD / CABLE MOUNT SJ CORD WITH 1/16 SS CABLE</p>  <p>ORDER: CD (Length) SPECIFY LENGTH: CD36 - 36" CD72 - 72" CD144 - 144" CDLC(XX) Custom Length (Specify in Inches)</p>
--	---	---

*MAXIMUM ONE PIECE STEM LENGTH IS 72".
LONGER LENGTHS ARE POSSIBLE USING MULTIPLE STEMS AND COUPLERS.

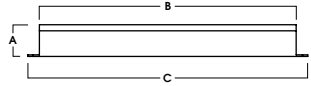
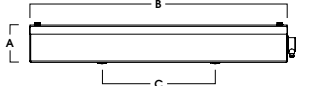


EMERGENCY BATTERY OPTIONS

EMCR - LARGE DRIVER CANOPY FOR 10W EMERGENCY BATTERY





REMOTE EMERGENCY BATTERY OPTIONS

<p>EMRM* - 7W REMOTE EMERGENCY BATTERY (50' MAX)</p>  <table border="1"> <thead> <tr> <th>A</th> <th>B</th> <th>C</th> </tr> </thead> <tbody> <tr> <td>1.3</td> <td>12.6</td> <td>13.0</td> </tr> </tbody> </table>	A	B	C	1.3	12.6	13.0	<p>EMEN* - 7W REMOTE EMERGENCY BATTERY WITH ENCLOSURE (50' MAX)</p>  <table border="1"> <thead> <tr> <th>A</th> <th>B</th> <th>C</th> </tr> </thead> <tbody> <tr> <td>2.0</td> <td>17.0</td> <td>6.2</td> </tr> </tbody> </table>	A	B	C	2.0	17.0	6.2
A	B	C											
1.3	12.6	13.0											
A	B	C											
2.0	17.0	6.2											

*OTHER EM BATTERY SIZES AVAILABLE, CONSULT FACTORY

ADDITIONS

<p>FS - FUSING Slow blow type fuse protects fixture against voltage surges. Factory installed.</p> 	<p>LSP10 - SM - SURGE PROTECTOR Surge protector absorbs transient electrical spikes and protects fixtures and electronics 120/277v. Re-sets after surge. Factory Installed.</p> 
---	--



COLOR OPTIONS - POWDER COAT PAINT FINISHES

NOTE: NO PRINTED IMAGE CAN EQUAL THE EXACT COLOR OF FINISH ON METAL.
SEE INDIVIDUAL SPECIFICATION SHEETS OR CONSULT FACTORY FOR ADDITIONAL INFORMATION.



STANDARD CORD / STEM / CANOPY FINISHES

FIXTURE COLOR	STANDARD CORD COLOR	STANDARD CANOPY / STEM COLOR
Matte White, Textured White	Matte White	Matte White
Gloss White	Matte White	Gloss White
Matte Black, Gloss Black, Textured Black	Matte Black	Matte Black
All Others	Matte Black	Same Color as Fixture
Custom Color	Contact Factory	Contact Factory

PAINT TIMES

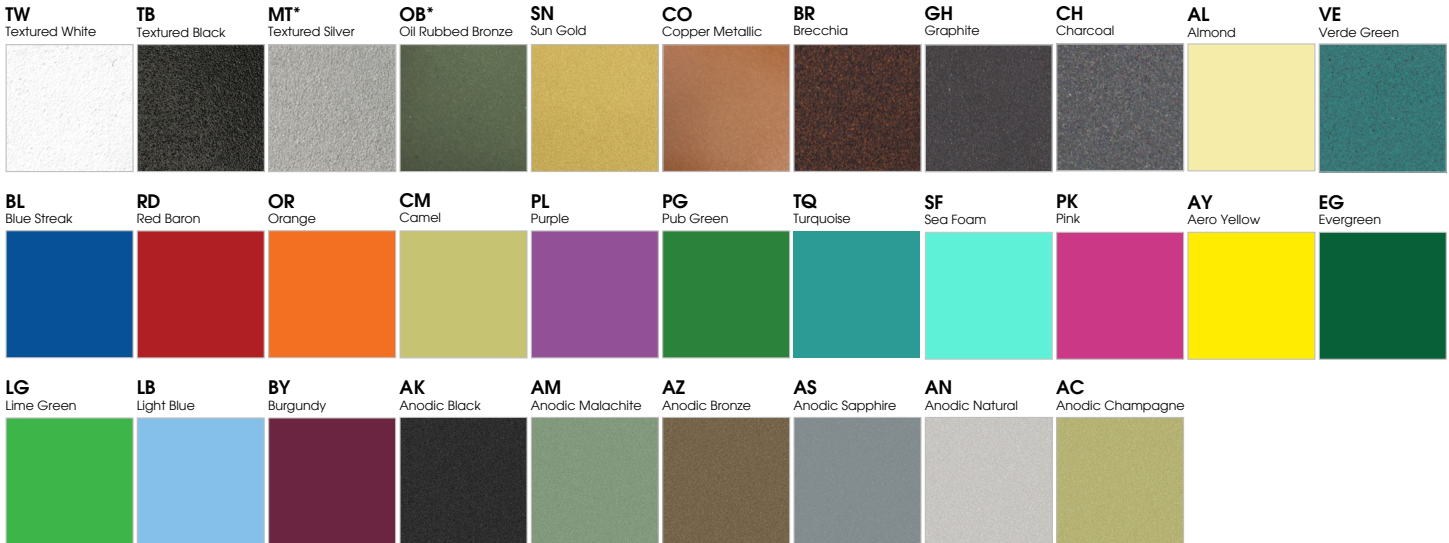
TIER	COST	AVERAGE PAINT TIME*
Tier 1 - Standard Finishes	\$	⌚
Tier 2 - Typical Finishes	\$\$	⌚⌚
Custom Color	Contact Factory	Contact Factory

*CONTACT FACTORY FOR SPECIFIC PRODUCT LEAD TIMES

TIER 1 - STANDARD FINISHES



TIER 2 - TYPICAL FINISHES



CUSTOM COLOR FINISHES

CONTACT FACTORY

CC
Custom Color



*UNAVAILABLE FOR WET LOCATION

