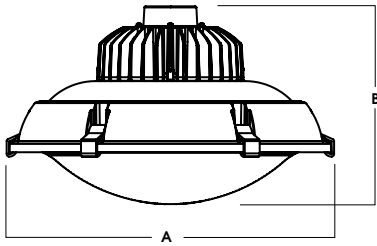




FL16 SHOWN



A	B
16.4	10.0
416.8 mm	254.8 mm

16" PRISMATIC

PA SERIES



PA1611LX

APPLICATION

16" prismatic pendant series is a performance luminaire that provides excellent vertical surface illumination. Prismatic refractor provides horizontal and vertical distribution.

FEATURES

PA1611LX dual refractor optical system for enhanced indirect lighting. Single mid-powered LED modules produce up to 13000 source lumens. A wide variety of mounting options. LED module and driver are serviceable for future replacement and maintenance. Emergency battery backup available.

FINISH

Multi-stage polyester powder-coat process applied on our dedicated paint lines. Variety of standard and custom finishes are available. All exposed materials are chromate pretreated to resist corrosion.

ELECTRONICS

LED system features high brightness white Nichia LEDs. 3-step MacAdam Ellipse binning and CRI 80 minimum. Higher CRI, R9 and custom LED configurations are available; consult factory. Variety of electronic 120V/277V and dimming devices. LED module is 2 circuit with 2 drivers for multicircuit option as well as safety.

CONSTRUCTION

Fixture shades are spun in our factory from 0.060" high purity aluminum. Refractor is molded UV stabilized acrylic with clear prismatic and diffuse prismatic options.

CODE COMPLIANCE

BAA compliant. ETL certified to meet US and Canadian standards. Suitable for dry or damp locations. Manufactured and tested to UL standards No. 1598/8750.

LUMENS / WATTAGE DATA				
PART NUMBER	SOURCE LUMENS ¹	DELIVERED LUMENS ²	SYSTEM WATTS	LPW
PA1611LX65L	6500	6138	54.1	113
PA1611LX100L	10000	9207	81.1	114
PA1611LX130L	13000	12112	103.9	117

SERIES	LUMENS ¹	CCT	DRIVER / DIMMING ³	OPTIONS ⁴	MOUNTING ⁵	REFRACTOR	FINISH ⁸	
PA1611LX	65L	6500 Lm	27K 2700K	EX Electronic Driver, 120V/277V DS10X 10%, 0-10V, 120V/277V DO10X 1% 0-10V, 120V/277V DO103 1% 0-10V, 347V	FS Fusing 2CIR 2 Circuit	CP113 ⁶ Driver Housing RM Remote Driver HM ⁷ Hang Straight AT ⁷ Hang Straight All Thread PM ⁷ Rigid Pendant Mount CD ⁷ Cord / Cable Mount	FR1611 Diffuse Prismatic CL16 Clear Prismatic FL16 Diffuse Prismatic	MW ⁹ Matte White MB ⁹ Matte Black PT ⁹ Platinum Silver CC Custom Color
	100L	10000 Lm	30K 3000K					
	130L	13000 Lm	35K 3500K					
			40K 4000K					
						EMERGENCY BATTERY OPTIONS		
						EMRM 7W Remote EM EMEN 7W Remote with Enclosure		

EXAMPLE: PA1611LX65L30KEX/CP113HM36/FR1611FL16/MW

NOTES:
 1 Nominal Source Lumens at 35K 2 Delivered Lumens at 35K with FR1611-CL16-MW 3 Contact Factory for Additional Options 4 See Product Options Page Details 5 See Mounting Page for Details on Components and Finishes
 6 CP113 Required 7 Specify Length in Inches: See Mounting Page for Available Lengths 8 See Color Page for More Options / Consult Factory for Special Finishes 9 Standard Finishes



PROJECT: _____
 QUANTITY: _____ TYPE: _____



16" PRISMATIC

PA SERIES



STANDARD FINISHES

MW
MATTE WHITE



MB
MATTE BLACK

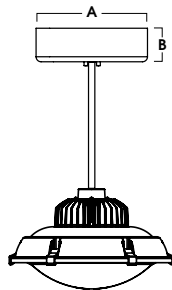


PT
PLATINUM SILVER



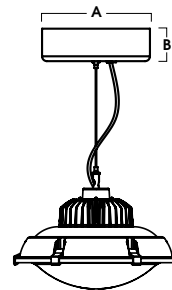
MOUNTING TYPES

HM / AT / PM
HANG STRAIGHT / ALL THREAD / PENDANT



A	B
11.1	3.3
281.9 mm	84.8 mm

CD
CORD / CABLE MOUNT



A	B
11.1	3.3
281.9 mm	84.8 mm

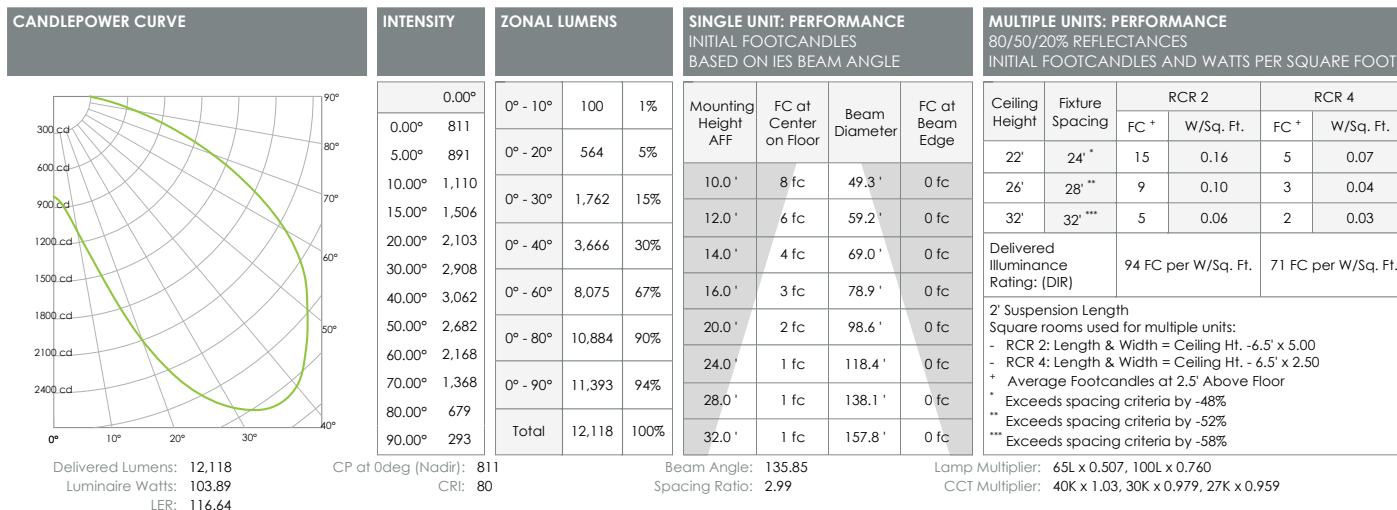


16" PRISMATIC

PA SERIES / PHOTOMETRIC DATA



PA1611LEDLX-130L-35K-EX-xx-FR1611-CL16-xx-MW

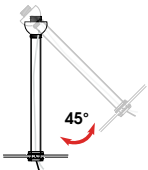
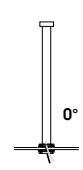
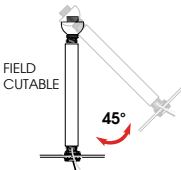
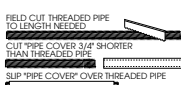



MOUNTING & ACCESSORIES

SOME OPTIONS NOT AVAILABLE ON ALL FIXTURES, CONSULT SPECIFICATION SHEETS. SEE INDIVIDUAL SPECIFICATION SHEETS OR CONSULT FACTORY FOR ADDITIONAL INFORMATION. NOTE: THIS IS TYPICAL OF LUMEN MAX SPECIFICATION FOR PENDANT MOUNTING. INDIVIDUAL FIXTURES OR PROJECTS MAY HAVE SPECIALIZED REQUIREMENTS.



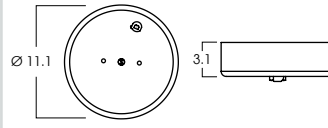
MOUNTING TYPES

<p>HM* HANG STRAIGHT 45° SWIVEL 5/8" OD STEM - 3/8" IP</p>  <p>ORDER: HM (Length) SPECIFY LENGTH: HM3 - 3" HM24 - 24" HM6 - 6" HM36 - 36" HM12 - 12" HM48 - 48" HM18 - 18" HM72 - 72" HMLC(XX) Custom Length (Specify in Inches)</p>	<p>PM* RIGID PENDANT MOUNT RIGID 5/8" OD STEM - 3/8" IP</p>  <p>ORDER: PM (Length) SPECIFY LENGTH: PM3 - 3" PM24 - 24" PM6 - 6" PM36 - 36" PM12 - 12" PM48 - 48" PM18 - 18" PM72 - 72" PMLC(XX) Custom Length (Specify in Inches)</p>	<p>AT** HANG STRAIGHT ALL THREAD 45° SWIVEL 5/8" OD STEM - 1/4" IP</p>  <p>ORDER: AT (Length) SPECIFY LENGTH: AT12 - 12" AT24 - 24" AT36 - 36"</p> 	<p>CD CORD / CABLE MOUNT SJ CORD WITH 1/16 SS CABLE</p>  <p>ORDER: CD (Length) SPECIFY LENGTH: CD36 - 36" CD72 - 72" CD144 - 144" CDLC(XX) Custom Length (Specify in Inches)</p>
--	---	--	---

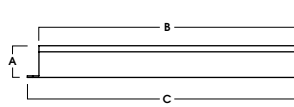
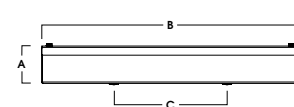
*MAXIMUM ONE PIECE STEM LENGTH IS 72". **MAXIMUM ONE PIECE STEM LENGTH IS 36". LONGER LENGTHS ARE POSSIBLE USING MULTIPLE STEMS AND COUPLERS.

CEILING MOUNT CANOPY

CP113 - DRIVER COMPARTMENT WITH LEADS (REQUIRED)



REMOTE EMERGENCY BATTERY OPTIONS

<p>EMRM* - 7W REMOTE EMERGENCY BATTERY (50' MAX)</p>  <table border="1"> <thead> <tr> <th>A</th> <th>B</th> <th>C</th> </tr> </thead> <tbody> <tr> <td>1.3</td> <td>12.6</td> <td>13.0</td> </tr> </tbody> </table>	A	B	C	1.3	12.6	13.0	<p>EMEN* - 7W REMOTE EMERGENCY BATTERY WITH ENCLOSURE (50' MAX)</p>  <table border="1"> <thead> <tr> <th>A</th> <th>B</th> <th>C</th> </tr> </thead> <tbody> <tr> <td>2.0</td> <td>17.0</td> <td>6.2</td> </tr> </tbody> </table>	A	B	C	2.0	17.0	6.2
A	B	C											
1.3	12.6	13.0											
A	B	C											
2.0	17.0	6.2											

*OTHER EM BATTERY SIZES AVAILABLE, CONSULT FACTORY

ADDITIONS


FS - FUSING

Slow blow type fuse protects fixture against voltage surges. Factory installed.



LSP10 - SM - SURGE PROTECTOR

Surge protector absorbs transient electrical spikes and protects fixtures and electronics 120/277v. Re-sets after surge. Factory Installed.



SAFETY CABLE OPTIONS

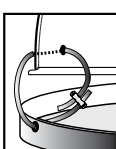
SC1 - SAFETY CABLE

1/16" stainless steel safety cable for added support. Standard kit is 18" and double barrel locks are provided. Approved for California seismic requirements. Rated at 50 lbs.



SC2 - SAFETY CABLE

1/16" Stainless steel cable holds door to fixture




COLOR OPTIONS - POWDER COAT PAINT FINISHES

NOTE: NO PRINTED IMAGE CAN EQUAL THE EXACT COLOR OF FINISH ON METAL.
SEE INDIVIDUAL SPECIFICATION SHEETS OR CONSULT FACTORY FOR ADDITIONAL INFORMATION.



STANDARD CORD / STEM / CANOPY FINISHES

FIXTURE COLOR	STANDARD CORD COLOR	STANDARD CANOPY / STEM COLOR
Matte White, Textured White	Matte White	Matte White
Gloss White	Matte White	Gloss White
Matte Black, Gloss Black, Textured Black	Matte Black	Matte Black
All Others	Matte Black	Same Color as Fixture
Custom Color	Contact Factory	Contact Factory

PAINT TIMES

TIER	COST	AVERAGE PAINT TIME*
Tier 1 - Standard Finishes	\$	⌚
Tier 2 - Typical Finishes	\$\$	⌚⌚
Custom Color	Contact Factory	Contact Factory

*CONTACT FACTORY FOR SPECIFIC PRODUCT LEAD TIMES

TIER 1 - STANDARD FINISHES



TIER 2 - TYPICAL FINISHES



CUSTOM COLOR FINISHES

CONTACT FACTORY

CC
Custom Color



*UNAVAILABLE FOR WET LOCATION

