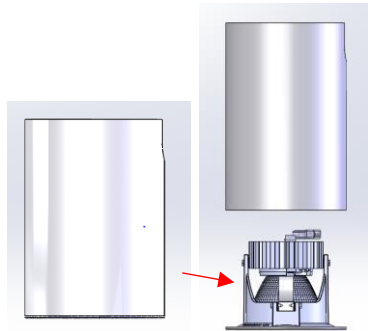
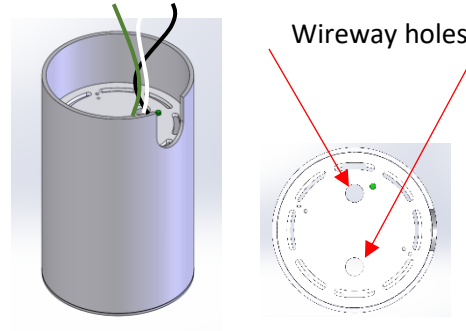


WARNING: Be certain all power is OFF! Wire according to local and national codes. This product should be installed by a qualified electrician.



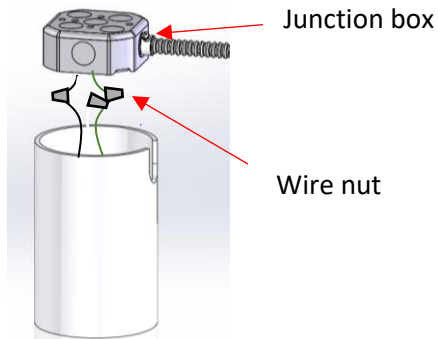
Before Installation

1. Remove the TRIM assembly by pulling it out of the cylinder.

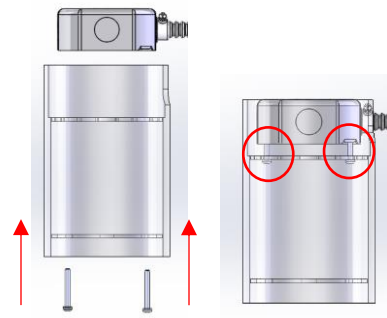


For Installation

2. Feed power leads through the wireway holes in the top of the cylinder up to the junction box.



3. Make wiring connections from fixture to junction box.



4. Attach the cylinder directly to the junction box using screws (supplied by others).

5. Complete fixture installation by reinserting the TRIM assembly into the cylinder.

