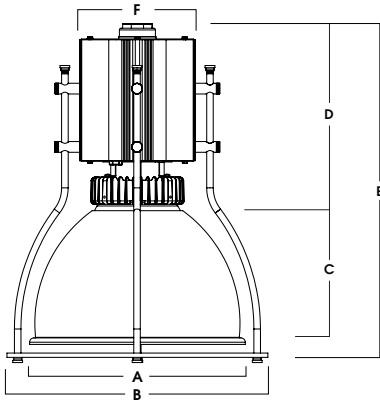




1MR SHOWN



A	B	C	D	E	F
12.5	15.1	9.2	10.5	19.6	6.5
317.5 mm	383.5 mm	233.7 mm	266.7 mm	497.8 mm	165.1 mm

Fixture Weight: 18.3 lbs

## 12" ALUMINUM TECH SERIES



### ATXAL12GV

#### APPLICATION

Lumen Max GV series performance pendant for low and mid-bay applications. Aluminum reflector designed for maximum downlight. Decorative support arms and lower parts

#### FEATURES

Extruded Fixture Housing (EXT) features a clean and modern design. Single-stage optical system for smooth light distribution. 80 CRI minimum. Consult factory for high CRI or special applications. LED module and driver designed for ease of maintenance and replacement. Posi-lock reflector retention ring will absorb shocks and impact. Optional safety cable. Variety of optical lenses and mounting methods.

#### FINISH

Multi-stage polyester powder-coat process applied on our dedicated paint lines. Variety of standard and custom finishes are available. All exposed materials are chromate pretreated to resist corrosion. Standard Matte White interior finish on reflectors.

#### ELECTRONICS

GV LED system features high brightness white Samsung LED's. 3-step MacAdam Ellipse binning. Standard CRI: 80+. Higher CRI, R9 and custom LED configurations are available; consult factory. Variety of electronic 120V/277V and dimming drivers.

#### CONSTRUCTION

Extruded and machined 6063-T5 aluminum housing. Graphite gasket for optimal thermal management. Die-cast aluminum heat sink. Reflector made of spun .060" aluminum. Arms are chrome plated, formed steel tubing. 1MR option is spun aluminum.

#### CODE COMPLIANCE

BAA compliant. ETL certified to meet US and Canadian standards. Suitable for dry or damp locations. Manufactured and tested to UL standards No. 1598/8750.

LUMENS / WATTAGE DATA				
PART NUMBER	SOURCE LUMENS <sup>1</sup>	DELIVERED LUMENS <sup>2</sup>	SYSTEM WATTS	LPW
ATXAL12GV15L	1500	1096	10	110
ATXAL12GV27L	2700	1914	18	106
ATXAL12GV37L	3700	2807	26	108
ATXAL12GV55L	5500	4135	39	106

SERIES	LUMENS <sup>1</sup>	CCT	DRIVER / DIMMING <sup>3</sup>	OPTIONS <sup>4</sup>	MOUNTING <sup>5</sup>	REFLECTOR	TIER OPTIONS	FINISH <sup>13</sup>
ATXAL12GV	15L 1500 Lm	27K 2700K	EX Electronic Driver, 120V/277V DS10X 10% 0-10V, 120V/277V DO10X 1% 0-10V, 120V/277V	FS Fusing E347 347V Driver SC1 Safety Cable	HM <sup>6</sup> Hang Straight AT <sup>6</sup> Hang Straight All Thread PM <sup>6</sup> Rigid Pendant CD <sup>6</sup> Cord / Cable Mount HC <sup>6/7/8</sup> Hook & Cord NM2 <sup>7/8/9</sup> 1/2" NPT Hub NM3 <sup>7/8/9</sup> 3/4" NPT Hub EMERGENCY BATTERY OPTIONS	AL12/MWI <sup>10</sup> Matte White Inside Fixture Color Inside AL12/FCI	CFG Center Frosted Glass Tier FGR Frosted Glass Ring 1MR <sup>11</sup> Single Metal Ring TIER COLOR OPTIONS FC <sup>12</sup> Fixture Color MW Matte White MB Matte Black PT Platinum Silver SN Sun Gold EG Evergreen RD Red Baron	MW <sup>14</sup> Matte White MB <sup>14</sup> Matte Black PT <sup>14</sup> Platinum Silver CC Custom Color See Page 5 for Full Range of Color Options (83-90081)
	27L 2700 Lm	30K 3000K						
	37L 3700 Lm	35K 3500K						
	55L 5500 Lm	40K 4000K 50K 5000K						

EXAMPLE: ATXAL12GV15L27KEX/HM36/AL12/MWI/FGR/MT

NOTES:  
 1 Nominal Source Lumens at 35K 2 Nominal Delivered Lumens at 35K with AL12-1MR 3 Contact Factory for Additional Options 4 See Product Options Page for Details 5 See Mounting Page for Details on Components and Finishes  
 6 Specify Length in Inches: See Mounting Page for Available Lengths 7 Mounting Supplied by Others 8 Not Available with EMCR 9 12" Leads Unless Specified 10 Reflector Finished Matte White with Finish Color Out  
 11 Same Finish as Housing 12 Tier to Match Fixture if Finish Not Specified 13 See Color Page for More Options / Consult Factory for Special Finishes 14 Standard Finishes



PROJECT: \_\_\_\_\_  
 QUANTITY: \_\_\_\_\_ TYPE: \_\_\_\_\_



# 12" ALUMINUM

## TECH SERIES / FIXTURE OPTIONS



### STANDARD FINISHES

**MW**  
MATTE WHITE



**MB**  
MATTE BLACK



**PT**  
PLATINUM SILVER



### DECO-TIER OPTIONS

**1MR**  
SINGLE METAL RING



**CFG**  
CENTERED FROSTED GLASS

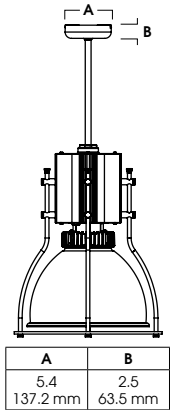


**FGR**  
FROSTED GLASS RING

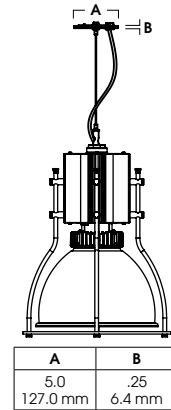


### MOUNTING TYPES

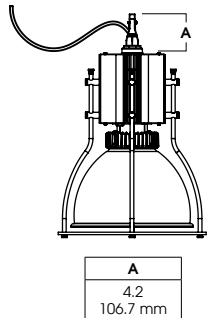
**HM / AT / PM**  
HANG STRAIGHT / ALL THREAD / PENDANT



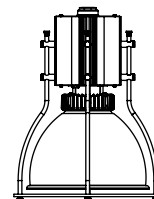
**CD**  
CORD / CABLE MOUNT



**HC**  
HOOK CORD



**NM**  
NO MOUNT



# 12" ALUMINUM

## TECH SERIES / PHOTOMETRIC DATA



ATXAL12LEDGV-55L-35K-EX-xx-AL12-CFG-xx

CANDLEPOWER CURVE	INTENSITY	ZONAL LUMENS	SINGLE UNIT: PERFORMANCE INITIAL FOOTCANDLES BASED ON IES BEAM ANGLE	MULTIPLE UNITS: PERFORMANCE 80/50/20% REFLECTANCES INITIAL FOOTCANDLES AND WATTS PER SQUARE FOOT						
	0.00°	0° - 10° 238 6%	Mounting Height AFF	Ceiling Height	Fixture Spacing	RCR 1		RCR 3		
	0.00° 2,636	0° - 20° 818 20%	FC at Center on Floor	FC +	W/Sq. Ft.	FC +	W/Sq. Ft.	FC +	W/Sq. Ft.	
	5.00° 2,568	0° - 30° 1,813 44%	Beam Diameter	FC at Beam Edge						
	10.00° 2,346	0° - 40° 2,904 70%	8.0 ' 41 fc 12.7 ' 20 fc	17' 16' *	16	0.14	10	0.11		
	15.00° 1,984	0° - 60° 3,717 90%	10.0 ' 26 fc 15.9 ' 13 fc	21' 18' **	15	0.13	12	0.13		
	20.00° 1,992	0° - 80° 4,071 99%	12.0 ' 18 fc 19.1 ' 9 fc	25' 20' ***	11	0.10	8	0.08		
	30.00° 2,256	0° - 90° 4,132 100%	14.0 ' 13 fc 22.3 ' 6 fc	Delivered Illuminance Rating: (DIR)					110 FC per W/Sq. Ft. 90 FC per W/Sq. Ft.	
	40.00° 1,097	Total 4,132 100%	16.0 ' 10 fc 25.5 ' 5 fc	3' Suspension Length						
	50.00° 428		20.0 ' 7 fc 31.8 ' 3 fc	Square rooms used for multiple units:						
	60.00° 290		24.0 ' 5 fc 38.2 ' 2 fc	- RCR 1: Length & Width = Ceiling Ht. - 5.5' x 10.00						
70.00° 165		28.0 ' 3 fc 44.6 ' 2 fc	- RCR 3: Length & Width = Ceiling Ht. - 5.5' x 3.33							
80.00° 88			* Average Footcandles at 2.5' Above Floor							
90.00° 17			** Exceeds spacing criteria by 13%							
			*** Exceeds spacing criteria by -17%							
Delivered Lumens: 4,132 Luminaire Watts: 39 LER: 105.95	CP at 0deg (Nadir): 2,636 CRI: 80+	Beam Angle: 77.03 Spacing Ratio: 1.23	Lamp Multiplier: 15L x 0.28, 27L x 0.46, 37L x 0.68 CCT Multiplier: 50K x 1.06, 40K x 1.03, 30K x 0.985, 27K x 0.971							

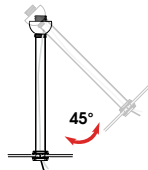

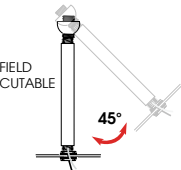
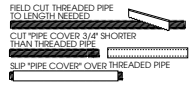

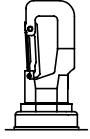


# MOUNTING & ACCESSORIES

SOME OPTIONS NOT AVAILABLE ON ALL FIXTURES, CONSULT SPECIFICATION SHEETS. SEE INDIVIDUAL SPECIFICATION SHEETS OR CONSULT FACTORY FOR ADDITIONAL INFORMATION. NOTE: THIS IS TYPICAL OF LUMEN MAX SPECIFICATION FOR PENDANT MOUNTING. INDIVIDUAL FIXTURES OR PROJECTS MAY HAVE SPECIALIZED REQUIREMENTS.



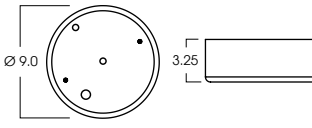
## MOUNTING TYPES

<p><b>HM*</b> HANG STRAIGHT 45° SWIVEL 5/8" OD STEM - 3/8" IP</p>  <p>ORDER: <b>HM</b> (Length) SPECIFY LENGTH: <b>HM3</b> - 3"    <b>HM24</b> - 24" <b>HM6</b> - 6"    <b>HM36</b> - 36" <b>HM12</b> - 12"   <b>HM48</b> - 48" <b>HM18</b> - 18"   <b>HM72</b> - 72" <b>HMLC(XX)</b> Custom Length (Specify in Inches)</p>	<p><b>PM*</b> RIGID PENDANT MOUNT RIGID 5/8" OD STEM - 3/8" IP</p>  <p>ORDER: <b>PM</b> (Length) SPECIFY LENGTH: <b>PM3</b> - 3"    <b>PM24</b> - 24" <b>PM6</b> - 6"    <b>PM36</b> - 36" <b>PM12</b> - 12"   <b>PM48</b> - 48" <b>PM18</b> - 18"   <b>PM72</b> - 72" <b>PMLC(XX)</b> Custom Length (Specify in Inches)</p>	<p><b>AT**</b> HANG STRAIGHT ALL THREAD 45° SWIVEL 5/8" OD STEM - 1/4" IP</p>  <p>ORDER: <b>AT</b> (Length) SPECIFY LENGTH: <b>AT12</b> - 12" <b>AT24</b> - 24" <b>AT36</b> - 36"</p> 	<p><b>CD</b> CORD / CABLE MOUNT SJ CORD WITH 1/16 SS CABLE</p>  <p>ORDER: <b>CD</b> (Length) SPECIFY LENGTH: <b>CD36</b> - 36" <b>CD72</b> - 72" <b>CD144</b> - 144" <b>CDLC(XX)</b> Custom Length (Specify in Inches)</p>	<p><b>HC</b> HOOK &amp; CORD FOR INDEPENDENT MOUNTING</p>  <p>ORDER: <b>HC</b></p>
--	---	--	---	---

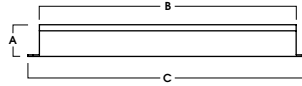
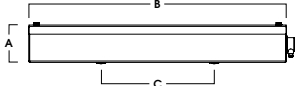
\*MAXIMUM ONE PIECE STEM LENGTH IS 72". \*\*MAXIMUM ONE PIECE STEM LENGTH IS 36". LONGER LENGTHS ARE POSSIBLE USING MULTIPLE STEMS AND COUPLERS.

## EMERGENCY BATTERY OPTIONS

**EMCR** - LARGE DRIVER CANOPY FOR 10W EMERGENCY BATTERY



## REMOTE EMERGENCY BATTERY OPTIONS

<p><b>EMRM*</b> - 7W REMOTE EMERGENCY BATTERY (50' MAX)</p>  <table border="1"> <thead> <tr> <th>A</th> <th>B</th> <th>C</th> </tr> </thead> <tbody> <tr> <td>1.3</td> <td>12.6</td> <td>13.0</td> </tr> </tbody> </table>	A	B	C	1.3	12.6	13.0	<p><b>EMEN*</b> - 7W REMOTE EMERGENCY BATTERY WITH ENCLOSURE (50' MAX)</p>  <table border="1"> <thead> <tr> <th>A</th> <th>B</th> <th>C</th> </tr> </thead> <tbody> <tr> <td>2.0</td> <td>17.0</td> <td>6.2</td> </tr> </tbody> </table>	A	B	C	2.0	17.0	6.2
A	B	C											
1.3	12.6	13.0											
A	B	C											
2.0	17.0	6.2											

\*OTHER EM BATTERY SIZES AVAILABLE, CONSULT FACTORY

## ADDITIONS

**FS** - FUSING

Slow blow type fuse protects fixture against voltage surges. Factory installed.



**LSP10 - SM** - SURGE PROTECTOR

Surge protector absorbs transient electrical spikes and protects fixtures and electronics 120/277v. Re-sets after surge. Factory Installed.



## SAFETY CABLE OPTIONS

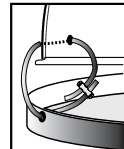
**SC1** - SAFETY CABLE

1/16" stainless steel safety cable for added support. Standard kit is 18" and double barrel locks are provided. Approved for California seismic requirements. Rated at 50 lbs.



**SC2** - SAFETY CABLE

1/16" Stainless steel cable holds door to fixture




# COLOR OPTIONS - POWDER COAT PAINT FINISHES

NOTE: NO PRINTED IMAGE CAN EQUAL THE EXACT COLOR OF FINISH ON METAL.  
SEE INDIVIDUAL SPECIFICATION SHEETS OR CONSULT FACTORY FOR ADDITIONAL INFORMATION.



## STANDARD CORD / STEM / CANOPY FINISHES

FIXTURE COLOR	STANDARD CORD COLOR	STANDARD CANOPY / STEM COLOR
Matte White, Textured White	Matte White	Matte White
Gloss White	Matte White	Gloss White
Matte Black, Gloss Black, Textured Black	Matte Black	Matte Black
All Others	Matte Black	Same Color as Fixture
Custom Color	Contact Factory	Contact Factory

## PAINT TIMES

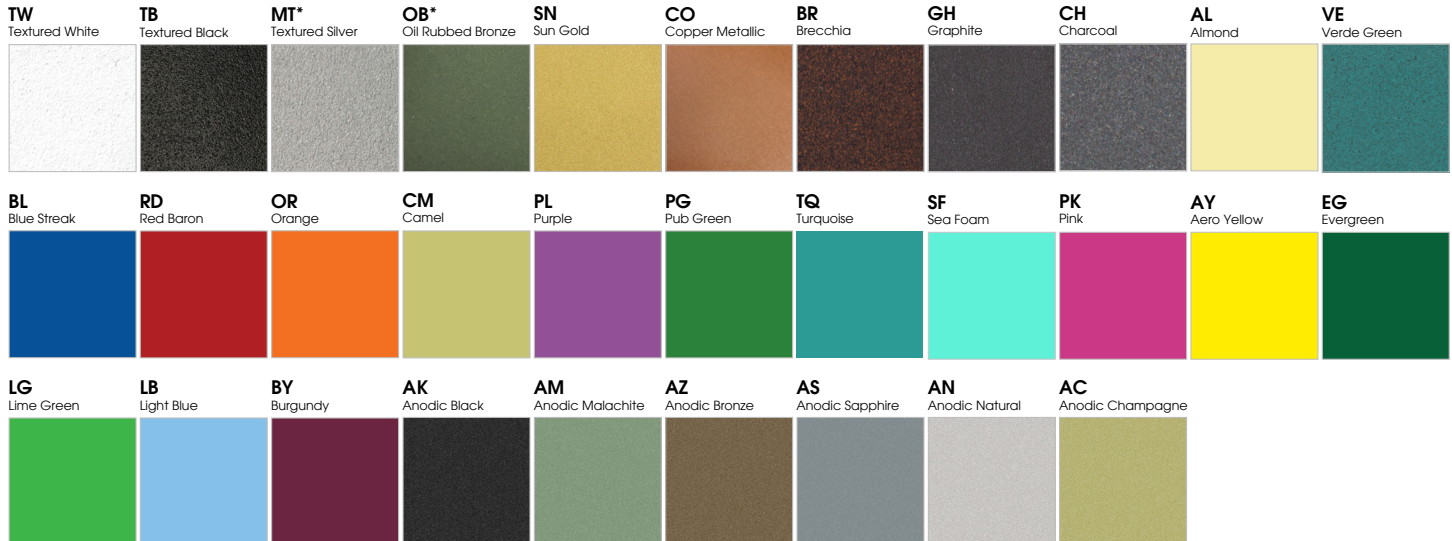
TIER	COST	AVERAGE PAINT TIME*
Tier 1 - Standard Finishes	\$	⌚
Tier 2 - Typical Finishes	\$\$	⌚⌚
Custom Color	Contact Factory	Contact Factory

\*CONTACT FACTORY FOR SPECIFIC PRODUCT LEAD TIMES

## TIER 1 - STANDARD FINISHES



## TIER 2 - TYPICAL FINISHES



## CUSTOM COLOR FINISHES

CONTACT FACTORY

**CC**  
Custom Color



\*UNAVAILABLE FOR WET LOCATION

