



16" ALUMINUM EXT SERIES



ALEXT16GV

APPLICATION

16" Lumen Max GV series performance pendant for low, and mid-bay applications. Aluminum reflector designed for maximum downlight.

FEATURES

Extruded Fixture Housing (EXT) features a clean and modern design. Single-stage optical system for smooth light distribution. 80 CRI minimum. Consult factory for high CRI or special applications. LED module and driver designed for ease of maintenance and replacement. Posi-lock reflector retention ring will absorb shocks and impact. Optional safety cable. Variety of optical lenses and mounting methods.

FINISH

Multi-stage polyester powder-coat process applied on our dedicated paint lines. Variety of standard and custom finishes are available. All exposed materials are chromate pretreated to resist corrosion. Standard Matte White interior finish on reflectors.

ELECTRONICS

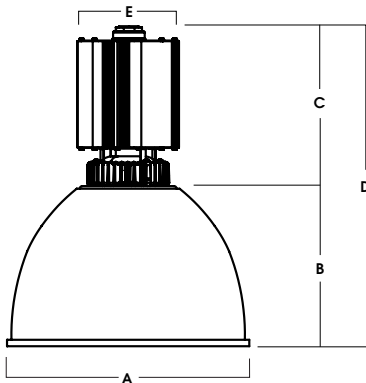
GV LED system features high brightness white Samsung LED's. 3-step MacAdam Ellipse binning. Standard CRI: 80+. Higher CRI, R9 and custom LED configurations are available; consult factory. Variety of electronic 120V/277V and dimming drivers.

CONSTRUCTION

Extruded and machined 6063-T5 aluminum housing. Graphite gasket for optimal thermal management. Die-cast aluminum heat sink. Reflector made of spun .060" aluminum.

CODE COMPLIANCE

BAA compliant. ETL certified to meet US and Canadian standards. Suitable for dry or damp locations. Manufactured and tested to UL standards No. 1598/8750.



A	B	C	D	E
16.0	10.4	10.6	21.0	6.5
406.4 mm	264.2 mm	269.2 mm	533.4 mm	165.1 mm

LUMENS / WATTAGE DATA				
PART NUMBER	SOURCE LUMENS ¹	DELIVERED LUMENS ²	SYSTEM WATTS	LPW
ALEXT16GV15L	1500	1192	10	119
ALEXT16GV27L	2700	2080	18	116
ALEXT16GV37L	3700	3051	26	117
ALEXT16GV55L	5500	4494	39	115

SERIES	LUMENS ¹	CCT	DRIVER / DIMMING ³	OPTIONS ⁴	MOUNTING ⁵	REFLECTOR	DIFFUSER OPTIONS	FINISH ¹²
ALEXT16GV	15L 1500 Lm	27K 2700K	EX Electronic Driver, 120V/277V DS10X 10% 0-10V, 120V/277V DO10X 1% 0-10V, 120V/277V	FS Fusing E347 347V Driver SC1 Safety Cable SC2 Safety Cable, Reflector to Door Fixture	HM ⁶ Hang Straight AT ⁶ Hang Straight All Thread PM ⁶ Rigid Pendant CD ⁶ Cord / Cable Mount HC ^{6/7/8} Hook & Cord NM2 ^{7/8/9} 1/2" NPT Hub NM3 ^{7/8/9} 3/4" NPT Hub EMERGENCY BATTERY OPTIONS EMCR 10W Canopy Mounted EM EMRM 7W Remote EM EMEN 7W Remote with Enclosure	AL16/MWI ¹⁰ Matte White Inside AL16/FCI Fixture Color Inside	DOOR DR16D ¹¹ 16" Spun Door LENS CNFR Conical Frosted Lens CN Conical Lens DL Drop Lens FO White Optical Acrylic PP Prismatic Polycarbonate PC Clear Polycarbonate WAG16 16" Wire Guard	MW ¹³ Matte White MB ¹³ Matte Black PT ¹³ Platinum Silver CC Custom Color See Page 5 for Full Range of Color Options (83-90081)
	27L 2700 Lm	30K 3000K						
	37L 3700 Lm	35K 3500K						
	55L 5500 Lm	40K 4000K 50K 5000K						

EXAMPLE: ALEXT16GV15L27KEX/HM36/AL16/MWI/DR16DCN/MW

NOTES:
 1 Nominal Source Lumens at 35K 2 Nominal Delivered Lumens at 35K with AL16 3 Contact Factory for Additional Options 4 See Product Options Page for Details 5 See Mounting Page for Details on Components and Finishes
 6 Specify Length in Inches; See Mounting Page for Available Lengths 7 Mounting Supplied by Others 8 Not Available with EMCR 9 12" Leads Unless Specified 10 Reflector Finished Matte White With Finish Color Out
 11 Same Finish as Housing 12 See Color Page for More Options/Consult Factory for Special Finishes 13 Standard Finishes



PROJECT: _____
 QUANTITY: _____ TYPE: _____



16" ALUMINUM

EXT SERIES / FIXTURE OPTIONS



STANDARD FINISHES

MW
MATTE WHITE



MB
MATTE BLACK

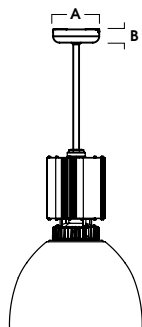


PT
PLATINUM SILVER



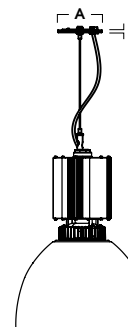
MOUNTING TYPES

HM / AT / PM
HANG STRAIGHT / ALL THREAD / PENDANT



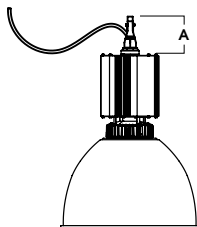
A	B
5.4	2.5
137.2 mm	63.5 mm

CD
CORD / CABLE MOUNT



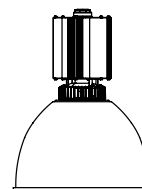
A	B
5.0	.25
127.0 mm	6.4 mm

HC
HOOK CORD



A
4.2
106.7 mm

NM
NO MOUNT



16" ALUMINUM

EXT SERIES / PHOTOMETRIC DATA



ALxxx16LEDGV-55L-35K-EX-AL16

CANDLEPOWER CURVE	INTENSITY	ZONAL LUMENS	SINGLE UNIT: PERFORMANCE INITIAL FOOTCANDLES BASED ON IES BEAM ANGLE		MULTIPLE UNITS: PERFORMANCE 80/50/20% REFLECTANCES INITIAL FOOTCANDLES AND WATTS PER SQUARE FOOT						
			Mounting Height AFF	FC at Center on Floor	Ceiling Height	Fixture Spacing	RCR 1		RCR 3		
	0.00°	0° - 10° 287 6%	8.0'	48 fc	17'	12' *	35	0.29	23	0.24	
	0.00°	0° - 20° 1,043 23%	10.0'	31 fc	21'	14' **	24	0.20	23	0.23	
	20.00°	0° - 30° 2,127 47%	12.0'	21 fc	25'	16' ***	18	0.15	15	0.15	
	40.00°	0° - 40° 3,131 70%	14.0'	16 fc	Delivered Illuminance Rating: (DIR) 120 FC per W/Sq. Ft. 98 FC per W/Sq. Ft.						
	60.00°	0° - 60° 3,961 88%	16.0'	12 fc	3' Suspension Length Square rooms used for multiple units: - RCR 1: Length & Width = Ceiling Ht. - 5.5' x 10.00 - RCR 3: Length & Width = Ceiling Ht. - 5.5' x 3.33 * Average Footcandles at 2.5' Above Floor * Exceeds spacing criteria by -4% ** Exceeds spacing criteria by -17% *** Exceeds spacing criteria by -25%						
	80.00°	0° - 80° 4,431 99%	20.0'	8 fc	Lamp Multiplier: 15L x 0.27, 27L x 0.46, 37L x 0.68 CCT Multiplier: 50K x 1.06, 40K x 1.03, 30K x 0.985, 27K x 0.971						
	90.00°	0° - 90° 4,490 100%	24.0'	5 fc							
		Total 4,490 100%	28.0'	4 fc							
		CP at 0deg (Nadir): 3,056 CRI: 85+									
		Delivered Lumens: 4,490 Luminaire Watts: 39 LER: 115.13									

ALxxx16LEDGV-55L-35K-EX-AL16-xx16-FO90

CANDLEPOWER CURVE	INTENSITY	ZONAL LUMENS	SINGLE UNIT: PERFORMANCE INITIAL FOOTCANDLES BASED ON IES BEAM ANGLE				MULTIPLE UNITS: PERFORMANCE 80/50/20% REFLECTANCES INITIAL FOOTCANDLES AND WATTS PER SQUARE FOOT					
			Mounting Height AFF	FC at Center on Floor	Beam Diameter	FC at Beam Edge	Ceiling Height	Fixture Spacing	RCR 1		RCR 3	
	0.00°	0° - 10° 256 6%	8.0'	41 fc	11.0'	20 fc	17'	12' *	31	0.29	21	0.24
	5.00°	0° - 20° 974 25%	10.0'	26 fc	13.7'	13 fc	21'	14' **	21	0.20	21	0.23
	10.00°	0° - 30° 1,932 49%	12.0'	18 fc	16.5'	9 fc	25'	16' ***	16	0.15	13	0.15
	15.00°	0° - 40° 2,736 69%	14.0'	13 fc	19.2'	7 fc	Delivered Illuminance Rating: (DIR) 107 FC per W/Sq. Ft. 88 FC per W/Sq. Ft.					
	20.00°	0° - 60° 3,631 92%	16.0'	10 fc	21.9'	5 fc	3' Suspension Length Square rooms used for multiple units: - RCR 1: Length & Width = Ceiling Ht. - 5.5' x 10.00 - RCR 3: Length & Width = Ceiling Ht. - 5.5' x 3.33 * Average Footcandles at 2.5' Above Floor * Exceeds spacing criteria by 0% ** Exceeds spacing criteria by -13% *** Exceeds spacing criteria by -21%					
	30.00°	0° - 80° 3,941 99%	20.0'	7 fc	27.4'	3 fc	Lamp Multiplier: 15L x 0.27, 27L x 0.46, 37L x 0.68 CCT Multiplier: 50K x 1.06, 40K x 1.03, 30K x 0.985, 27K x 0.971					
	40.00°	0° - 90° 3,966 100%	24.0'	5 fc	32.9'	2 fc						
	50.00°	Total 3,966 100%	28.0'	3 fc	38.4'	2 fc						
		CP at 0deg (Nadir): 2,638 CRI: 80+	Beam Angle: 68.81 Spacing Ratio: 1.04									
		Delivered Lumens: 3,966 Luminaire Watts: 39 LER: 101.69										



MOUNTING & ACCESSORIES

SOME OPTIONS NOT AVAILABLE ON ALL FIXTURES, CONSULT SPECIFICATION SHEETS. SEE INDIVIDUAL SPECIFICATION SHEETS OR CONSULT FACTORY FOR ADDITIONAL INFORMATION. NOTE: THIS IS TYPICAL OF LUMEN MAX SPECIFICATION FOR PENDANT MOUNTING. INDIVIDUAL FIXTURES OR PROJECTS MAY HAVE SPECIALIZED REQUIREMENTS.



MOUNTING TYPES

<p>HM* HANG STRAIGHT 45° SWIVEL 5/8" OD STEM - 3/8" IP</p> <p>ORDER: HM (Length) SPECIFY LENGTH: HM3 - 3" HM24 - 24" HM6 - 6" HM36 - 36" HM12 - 12" HM48 - 48" HM18 - 18" HM72 - 72" HMLC(XX) Custom Length (Specify in Inches)</p>	<p>PM* RIGID PENDANT MOUNT RIGID 5/8" OD STEM - 3/8" IP</p> <p>ORDER: PM (Length) SPECIFY LENGTH: PM3 - 3" PM24 - 24" PM6 - 6" PM36 - 36" PM12 - 12" PM48 - 48" PM18 - 18" PM72 - 72" PMLC(XX) Custom Length (Specify in Inches)</p>	<p>AT** HANG STRAIGHT ALL THREAD 45° SWIVEL 5/8" OD STEM - 1/4" IP</p> <p>ORDER: AT (Length) SPECIFY LENGTH: AT12 - 12" AT24 - 24" AT36 - 36"</p>	<p>CD CORD / CABLE MOUNT SJ CORD WITH 1/16 SS CABLE</p> <p>ORDER: CD (Length) SPECIFY LENGTH: CD36 - 36" CD72 - 72" CD144 - 144" CDLC(XX) Custom Length (Specify in Inches)</p>	<p>HC HOOK & CORD FOR INDEPENDENT MOUNTING</p> <p>ORDER: HC</p>
<p>*MAXIMUM ONE PIECE STEM LENGTH IS 72". **MAXIMUM ONE PIECE STEM LENGTH IS 36". LONGER LENGTHS ARE POSSIBLE USING MULTIPLE STEMS AND COUPLERS.</p>				

EMERGENCY BATTERY OPTIONS

EMCR - LARGE DRIVER CANOPY FOR 10W EMERGENCY BATTERY

REMOTE EMERGENCY BATTERY OPTIONS

<p>EMRM* - 7W REMOTE EMERGENCY BATTERY (50" MAX)</p> <table border="1"> <thead> <tr> <th>A</th> <th>B</th> <th>C</th> </tr> </thead> <tbody> <tr> <td>1.3</td> <td>12.6</td> <td>13.0</td> </tr> </tbody> </table>	A	B	C	1.3	12.6	13.0	<p>EMEN* - 7W REMOTE EMERGENCY BATTERY WITH ENCLOSURE (50" MAX)</p> <table border="1"> <thead> <tr> <th>A</th> <th>B</th> <th>C</th> </tr> </thead> <tbody> <tr> <td>2.0</td> <td>17.0</td> <td>6.2</td> </tr> </tbody> </table>	A	B	C	2.0	17.0	6.2
A	B	C											
1.3	12.6	13.0											
A	B	C											
2.0	17.0	6.2											

*OTHER EM BATTERY SIZES AVAILABLE, CONSULT FACTORY

ADDITIONS

FS - FUSING

Slow blow type fuse protects fixture against voltage surges. Factory installed.

LSP10 - SM - SURGE PROTECTOR

Surge protector absorbs transient electrical spikes and protects fixtures and electronics 120/277v. Re-sets after surge. Factory Installed.

SAFETY CABLE OPTIONS

SC1 - SAFETY CABLE

1/16" stainless steel safety cable for added support. Standard kit is 18" and double barrel locks are provided. Approved for California seismic requirements. Rated at 50 lbs.

SC2 - SAFETY CABLE

1/16" Stainless steel cable holds door to fixture



COLOR OPTIONS - POWDER COAT PAINT FINISHES

NOTE: NO PRINTED IMAGE CAN EQUAL THE EXACT COLOR OF FINISH ON METAL.
SEE INDIVIDUAL SPECIFICATION SHEETS OR CONSULT FACTORY FOR ADDITIONAL INFORMATION.



STANDARD CORD / STEM / CANOPY FINISHES

FIXTURE COLOR	STANDARD CORD COLOR	STANDARD CANOPY / STEM COLOR
Matte White, Textured White	Matte White	Matte White
Gloss White	Matte White	Gloss White
Matte Black, Gloss Black, Textured Black	Matte Black	Matte Black
All Others	Matte Black	Same Color as Fixture
Custom Color	Contact Factory	Contact Factory

PAINT TIMES

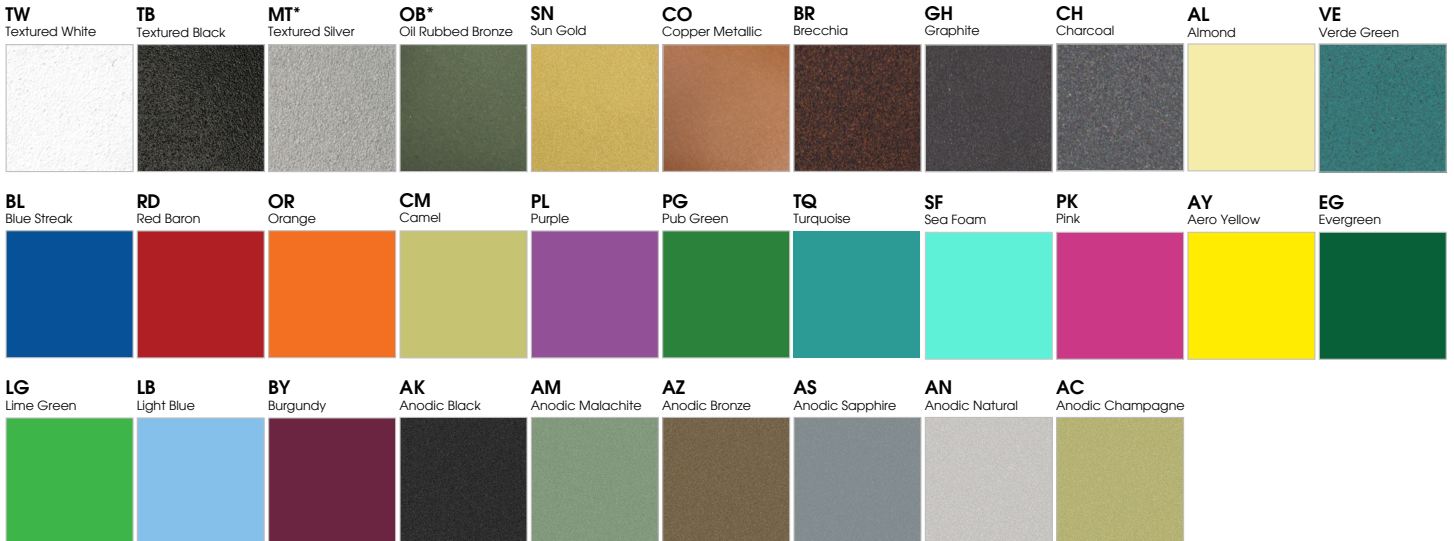
TIER	COST	AVERAGE PAINT TIME*
Tier 1 - Standard Finishes	\$	⌚
Tier 2 - Typical Finishes	\$\$	⌚⌚
Custom Color	Contact Factory	Contact Factory

*CONTACT FACTORY FOR SPECIFIC PRODUCT LEAD TIMES

TIER 1 - STANDARD FINISHES



TIER 2 - TYPICAL FINISHES



CUSTOM COLOR FINISHES

CONTACT FACTORY

CC
Custom Color



*UNAVAILABLE FOR WET LOCATION

