



HALF DOME PENDANT INCANDESCENT DOMO SHADES

PROJECT: _____
 QUANTITY: _____ TYPE: _____



HD24INC

APPLICATION

Half dome hemisphere pendant for decorative area lighting.

FEATURES

Speculume series fixtures offers contemporary style with functional luminaire performance. All fixtures are designed and manufactured in our factory. A variety of lens, wattage and other options available.

FINISH

Multi-stage polyester powder-coat process applied on our dedicated paint lines. A wide variety of standard and custom finishes are available. All exposed materials are chromate pretreated to resist corrosion. Exterior may be finished in metallic finishes.

ELECTRONICS

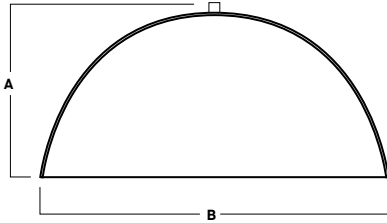
E26 Edison medium base 120V socket for incandescent or LED lamps.

CONSTRUCTION

Fixtures are spun in our factory from 0.063 high purity aluminum.

CODE COMPLIANCE

BAA Compliant. ETL listed for damp locations. Optional Wet location. Manufactured and tested to UL standard No. 1598.



A	B
13.0	24.0
330.2 mm	609.6 mm

SERIES	OPTIONS	MOUNTING ²	INTERIOR ⁴	EXTERIOR ⁴
HD24INC	GU24 ¹ GU24 Base Socket 120V GU10 GU10 Base Socket 120V MED Medium Base	CEILING MOUNT	MW ⁵ Matte White MB ⁵ Matte Black PT ⁵ Platinum Silver CC Custom Color	MW ⁵ Matte White MB ⁵ Matte Black PT ⁵ Platinum Silver CC Custom Color
		HM ₋₃ Hang Straight Pendant AT ₋₃ Hang Straight All Thread PM ₋₃ Pendant/Straight Mount CD ₋₃ Cord and Cable Mount CM ₋₃ Cord Mount		

EXAMPLE: HD12INC/GU24/HM36/MWIMB

NOTES:
 1 Requires CP13 Ballast Housing 2 See Mounting Page for Details on Components and Finishes 3 Specify Length in Inches; See Mounting Page for Available Lengths
 4 Contact Factory for Special Finishes 5 Standard Finishes

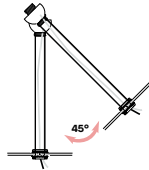
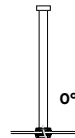
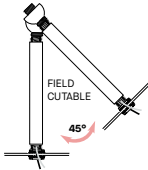
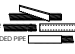
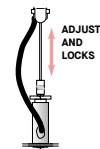



MOUNTING & ACCESSORIES

SOME OPTIONS NOT AVAILABLE ON ALL FIXTURES. CONSULT SPECIFICATION SHEETS. SEE INDIVIDUAL SPECIFICATION SHEETS OR CONSULT FACTORY FOR ADDITIONAL INFORMATION. NOTE: THIS IS TYPICAL OF RLM SPECIFICATION FOR MOUNTING. INDIVIDUAL FIXTURES OR PROJECTS MAY HAVE SPECIALIZED REQUIREMENTS.



CEILING MOUNTING

<p>HM* HANG STRAIGHT 45° SWIVEL 5/8" OD STEM - 3/8" IP</p>  <p>ORDER: HM (Length) SPECIFY LENGTH: HM3 - 3" HM24 - 24" HM6 - 6" HM36 - 36" HM12 - 12" HM48 - 48" HM18 - 18" HM72 - 72" HMLC(XX) Custom Length (Specify in Inches)</p>	<p>PM* RIGID PENDANT MOUNT RIGID 5/8" OD STEM - 3/8" IP</p>  <p>ORDER: PM (Length) SPECIFY LENGTH: PM3 - 3" PM24 - 24" PM6 - 6" PM36 - 36" PM12 - 12" PM48 - 48" PM18 - 18" PM72 - 72" PMLC(XX) Custom Length (Specify in Inches)</p>	<p>AT** HANG STRAIGHT ALL THREAD 45° SWIVEL 5/8" OD STEM - 1/4" IP</p>  <p>ORDER: AT (Length) SPECIFY LENGTH: AT12 - 12" AT48 - 48" AT24 - 24" AT60 - 60" AT36 - 36" AT72 - 72"</p> <p><small>FIELD CUT THREADED PIPE CUT LENGTH NEEDED CUT PIPE COVERED 3/4" SHORTER THAN THREADED PIPE SLIP PIPE COVER OVER THREADED PIPE</small></p> 	<p>CD CORD / CABLE MOUNT SJ CORD WITH 1/16 SS CABLE</p>  <p>ORDER: CD (Length) SPECIFY LENGTH: CD36 - 36" CD72 - 72" CD144 - 144" CDLC(XX) Custom Length (Specify in Inches)</p>	<p>CM CORD MOUNT SJ CORD WITH STRAIN RELIEF</p>  <p>ORDER: CM (Length) SPECIFY LENGTH: CM36 - 36" CM72 - 72" CM144 - 144" CMLC(XX) Custom Length (Specify in Inches)</p>
---	--	--	--	--

*MAXIMUM ONE PIECE STEM LENGTH IS 72" **MAXIMUM ONE PIECE STEM LENGTH IS 36". LONGER LENGTHS ARE POSSIBLE USING MULTIPLE STEMS AND COUPLERS.

**ORDER IN 12" INCREMENTS, ODD SIZES MAY BE FIELD CUT

COLOR OPTIONS - POWDER COAT PAINT FINISHES



STANDARD CORD / STEM / CANOPY FINISHES

FIXTURE COLOR	STANDARD CORD COLOR	STANDARD CANOPY / STEM COLOR
Matte White, Textured White	Matte White	Matte White
Gloss White	Matte White	Gloss White
Matte Black, Gloss Black, Textured Black	Matte Black	Matte Black
All Others	Matte Black	Same Color as Fixture
Custom Color	Contact Factory	Contact Factory

PAINT TIMES

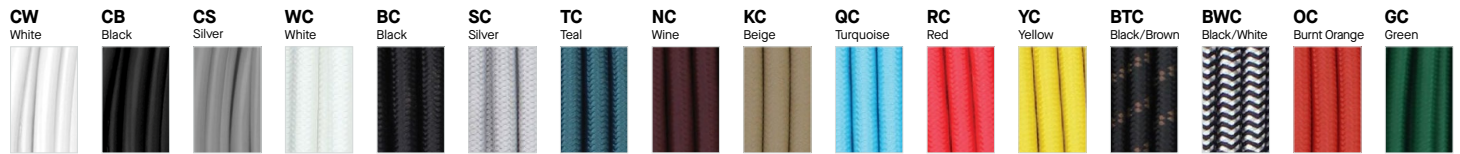
TIER	COST	PAINT TIME*
Tier 1 - Standard Finishes	\$	⌚
Tier 2 - Typical Finishes	\$\$	⌚⌚
Tier 3 - Special Metal Finishes	\$\$\$	⌚⌚⌚
Custom Color	Contact Factory	Contact Factory

*CONTACT FACTORY FOR SPECIFIC PRODUCT LEAD TIMES

CORD OPTIONS

STANDARD VINYL CORDS

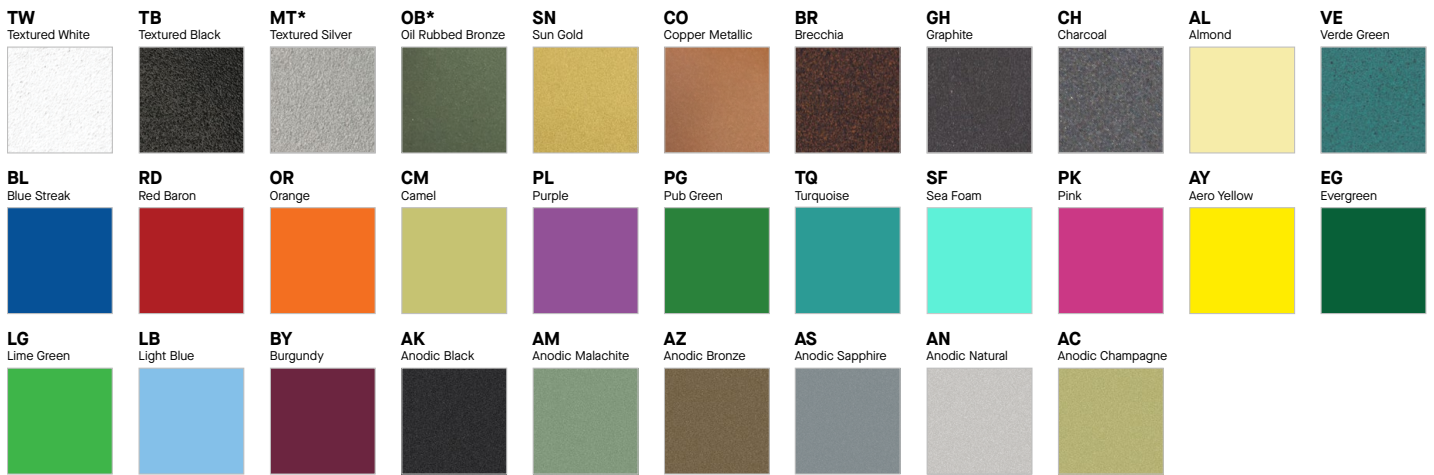
DECORATIVE BRAIDED COLOR CORDS



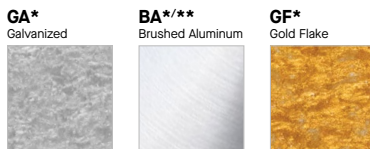
TIER 1 - STANDARD FINISHES



TIER 2 - TYPICAL FINISHES



TIER 3 - SPECIAL METAL FINISHES



CUSTOM COLOR FINISHES

CONTACT FACTORY

CC
Custom Color



*UNAVAILABLE FOR WET LOCATION

** UNAVAILABLE FOR INTERIOR

