



# 16" PRISMATIC DISC

## DISCO SERIES



### PR1605LX

#### APPLICATION

16" Lumen Max LX Series high bay for wide area lighting in retail, gymnasiums, and open office areas.

#### FEATURES

PR1605LX single-stage optical system features smooth wide distribution. 80 CRI minimum. Consult factory for high CRI or special applications. LED module and driver designed for ease of maintenance and replacement. Variety of mounting methods. Emergency battery backup option. Optional Safety Cable. See PR2405 and PR3005 for 24" and 30" options.

#### FINISH

Multi-stage polyester powder-coat process applied by our dedicated paint lines. A wide variety of standard and custom finishes are available. All exposed materials are chromate pretreated to resist corrosion.

#### ELECTRONICS

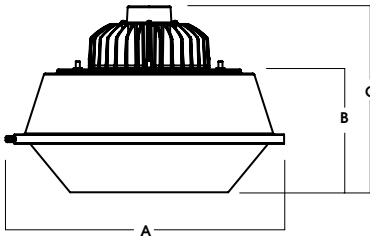
LED module features high brightness white Nichia LEDs. 3-step MacAdam Ellipse binning and CRI 80 minimum. Higher CRI, R9 and custom LED configurations are available; consult factory. Variety of electronic 120V/277V and dimming devices. Dual voltage 120V/277V drivers standard. LED module is 2 circuit with 2 drivers for multicircuit option as well as safety.

#### CONSTRUCTION

Housing constructed of spun and formed aluminum to resist corrosion. Die-cast aluminum heat sink. Graphite gasket for optimal thermal management. Refractor made of cast UV stabilized acrylic.

#### CODE COMPLIANCE

BAA compliant. ETL certified to meet US and Canadian standards. Suitable for dry or damp locations. Manufactured and tested to UL standards No. 1598/8750.



A	B	C
16.4	7.5	11.0
416.6 mm	190.5 mm	279.4 mm

LUMENS / WATTAGE DATA				
PART NUMBER	SOURCE LUMENS <sup>1</sup>	DELIVERED LUMENS <sup>2</sup>	SYSTEM WATTS	LPW
PR1605LX65L	6500	6018	56.2	107
PR1605LX100L	10000	9020	81.1	111
PR1605LX130L	13000	11882	103.9	114
PR1605LX140L	14000	12777	109.1	117

SERIES	LUMENS <sup>1</sup>	CCT	DRIVER / DIMMING <sup>3</sup>	OPTIONS <sup>4</sup>	MOUNTING <sup>5</sup>	FINISH <sup>8</sup>	
PR1605LX	65L	6500 Lm	27K 2700K	EX Electronic Driver, 120V/277V DS10X 10% 0-10V, 120V/277V DO10X 1% 0-10V, 120V/277V DO103 1% 0-10V, 347V	FS Fusing WG16 16" Wire Guard SC1 Safety Cable	CP113 <sup>6</sup> Driver Compartment with Leads HM <sup>7</sup> Hang-Straight AT <sup>7</sup> Hang Straight All Thread PM <sup>7</sup> Rigid Pendant Mount CD3X <sup>7</sup> 3 Cable Mount with Cord	MW <sup>9</sup> Matte White MB <sup>9</sup> Matte Black PT <sup>9</sup> Platinum Silver CC Custom Color
	100L	10000 Lm	30K 3000K				
	130L	13000 Lm	35K 3500K				
	140L	14000 Lm	40K 4000K				
EMERGENCY BATTERY OPTIONS						See Page 5 for Full Range of Color Options (83-90081)	
EMRM 7W Remote EM EMEN 7W Remote with Enclosure							

**EXAMPLE:** PR1605LX130L35KEX/CP113CD3X36/MW

**NOTES:**  
 1 Nominal Source Lumens at 35K 2 Nominal Delivered Lumens 35K at 80 CRI 3 Contact Factory for Additional Options 4 See Product Options Page for Details 5 See Mounting Page for Details on Components and Finishes  
 6 CP113 Required 7 Specify Length in Inches: See Mounting Page for Available Lengths 8 See Color Page for More Options / Consult Factory for Special Finishes 9 Standard Finishes



PROJECT: \_\_\_\_\_  
 QUANTITY: \_\_\_\_\_ TYPE: \_\_\_\_\_



# 16" PRISMATIC DISC

## DISCO SERIES / FIXTURE OPTIONS



### STANDARD FINISHES

**MW**  
MATTE WHITE



**MB**  
MATTE BLACK

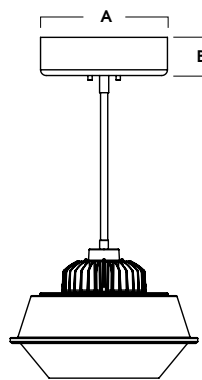


**PT**  
PLATINUM SILVER



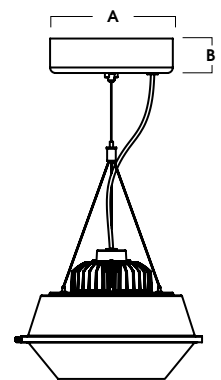
### MOUNTING TYPES

**HM / AT / PM**  
HANG STRAIGHT / ALL THREAD / PENDANT



A	B
11.1	3.3
281.9 mm	84.8 mm

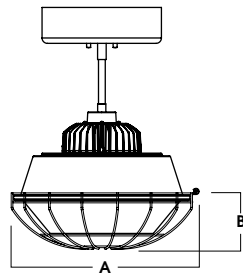
**CD3X**  
3X CORD / CABLE MOUNT



A	B
11.1	3.3
281.9 mm	84.8 mm

### ACCESSORIES

**WG16**  
WIRE GUARD



A	B
17.2	5.5
436.9 mm	139.7 mm



# 16" PRISMATIC DISC

## DISCO SERIES / PHOTOMETRIC DATA



PR1605LX140L35KEX

CANDLEPOWER CURVE	INTENSITY	ZONAL LUMENS	SINGLE UNIT: PERFORMANCE INITIAL FOOTCANDLES BASED ON IES BEAM ANGLE				MULTIPLE UNITS: PERFORMANCE 80/50/20% REFLECTANCES INITIAL FOOTCANDLES AND WATTS PER SQUARE FOOT								
	0.00°				Mounting Height AFF	FC at Center on Floor	Beam Diameter	FC at Beam Edge	Ceiling Height	Fixture Spacing	RCR 2		RCR 4		
	0.00°	3,875	0° - 10°	347	3%						FC +	W/Sq. Ft.	FC +	W/Sq. Ft.	
	5.00°	3,716	0° - 20°	1,166	9%				22'	12' *	61	0.65	45	0.65	
	10.00°	3,363	0° - 30°	2,286	18%	10.0'	39 fc	68.1'	-10 fc	26'	14' **	52	0.56	29	0.41
	15.00°	2,929	0° - 40°	3,724	29%	12.0'	27 fc	81.7'	-7 fc	32'	16' ***	40	0.43	30	0.43
	20.00°	2,589	0° - 60°	7,631	60%	14.0'	20 fc	95.3'	-5 fc	Delivered Illuminance Rating: (DIR)					
	30.00°	2,346	0° - 80°	11,861	93%	16.0'	15 fc	108.9'	-4 fc	2' Suspension Length					
	40.00°	2,200	0° - 90°	12,366	97%	20.0'	10 fc	136.2'	-3 fc	Square rooms used for multiple units:					
	50.00°	2,217	Total	12,774	100%	24.0'	7 fc	163.4'	-2 fc	- RCR 2: Length & Width = Ceiling Ht. - 6.5' x 5.00					
	60.00°	2,595				28.0'	5 fc	190.6'	-1 fc	- RCR 4: Length & Width = Ceiling Ht. - 6.5' x 2.50					
	70.00°	2,200				32.0'	4 fc	217.9'	-1 fc	* Average Footcandles at 2.5' Above Floor					
80.00°	998								** Exceeds spacing criteria by -7%						
90.00°	231								*** Exceeds spacing criteria by -24%						
<p>Delivered Lumens: 12,774      CP at 0deg (Nadir): 3,875      Beam Angle: 147.42      Lamp Multiplier: 65L x 0.47, 100L x 0.71, 130L x 0.93</p> <p>Luminaire Watts: 109.1      CRI: 80      Spacing Ratio: 0.83      CCT Multiplier: 27K x 0.47, 30K x 0.45, 35K x 0.41, 40K x 0.39</p> <p>LER: 117.09</p>															

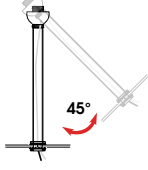
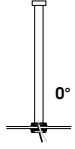
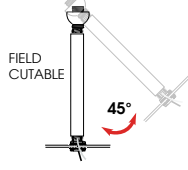
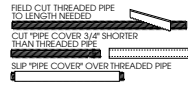
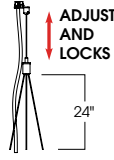



# MOUNTING & ACCESSORIES

SOME OPTIONS NOT AVAILABLE ON ALL FIXTURES. CONSULT SPECIFICATION SHEETS. SEE INDIVIDUAL SPECIFICATION SHEETS OR CONSULT FACTORY FOR ADDITIONAL INFORMATION. NOTE: THIS IS TYPICAL OF LUMEN MAX SPECIFICATION FOR PENDANT MOUNTING. INDIVIDUAL FIXTURES OR PROJECTS MAY HAVE SPECIALIZED REQUIREMENTS.

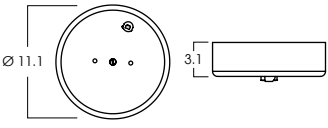


## MOUNTING TYPES

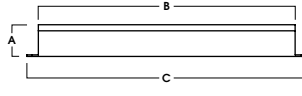
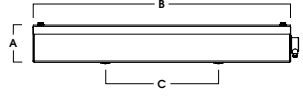
<p><b>HM*</b> HANG STRAIGHT 45° SWIVEL 5/8" OD STEM - 3/8" IP</p>  <p>ORDER: <b>HM</b> (Length) SPECIFY LENGTH: <b>HM3</b> - 3"    <b>HM24</b> - 24" <b>HM6</b> - 6"    <b>HM36</b> - 36" <b>HM12</b> - 12"    <b>HM48</b> - 48" <b>HM18</b> - 18"    <b>HM72</b> - 72" <b>HMLC(XX)</b> Custom Length (Specify in Inches)</p>	<p><b>PM*</b> RIGID PENDANT MOUNT RIGID 5/8" OD STEM - 3/8" IP</p>  <p>ORDER: <b>PM</b> (Length) SPECIFY LENGTH: <b>PM3</b> - 3"    <b>PM24</b> - 24" <b>PM6</b> - 6"    <b>PM36</b> - 36" <b>PM12</b> - 12"    <b>PM48</b> - 48" <b>PM18</b> - 18"    <b>PM72</b> - 72" <b>PMLC(XX)</b> Custom Length (Specify in Inches)</p>	<p><b>AT**</b> HANG STRAIGHT ALL THREAD 45° SWIVEL 5/8" OD STEM - 1/4" IP</p>  <p>ORDER: <b>AT</b> (Length) SPECIFY LENGTH: <b>AT12</b> - 12" <b>AT24</b> - 24" <b>AT36</b> - 36"</p> 	<p><b>CD3X</b> CORD / CABLE MOUNT SJ CORD WITH 1/16 SS CABLE</p>  <p>ORDER: <b>CD3X</b> (Length) SPECIFY LENGTH: <b>CD3X36</b> - 36" <b>CD3X72</b> - 72" <b>CD3X144</b> - 144" <b>CDLC3X(XX)</b> Custom Length (Specify in Inches)</p>
<p>*MAXIMUM ONE PIECE STEM LENGTH IS 72". **MAXIMUM ONE PIECE STEM LENGTH IS 36". LONGER LENGTHS ARE POSSIBLE USING MULTIPLE STEMS AND COUPLERS.</p> 			

## CEILING MOUNT CANOPY

**CP113** - DRIVER COMPARTMENT WITH LEADS (REQUIRED)



## REMOTE EMERGENCY BATTERY OPTIONS

<p><b>EMRM*</b> - 7W REMOTE EMERGENCY BATTERY (50' MAX)</p>  <table border="1" data-bbox="552 1197 722 1239"> <thead> <tr> <th>A</th> <th>B</th> <th>C</th> </tr> </thead> <tbody> <tr> <td>1.3</td> <td>12.6</td> <td>13.0</td> </tr> </tbody> </table>	A	B	C	1.3	12.6	13.0	<p><b>EMEN*</b> - 7W REMOTE EMERGENCY BATTERY WITH ENCLOSURE (50' MAX)</p>  <table border="1" data-bbox="917 1197 1088 1239"> <thead> <tr> <th>A</th> <th>B</th> <th>C</th> </tr> </thead> <tbody> <tr> <td>2.0</td> <td>17.0</td> <td>6.2</td> </tr> </tbody> </table>	A	B	C	2.0	17.0	6.2
A	B	C											
1.3	12.6	13.0											
A	B	C											
2.0	17.0	6.2											

\*OTHER EM BATTERY SIZES AVAILABLE. CONSULT FACTORY

## ADDITIONS

**FS** - FUSING  
Slow blow type fuse protects fixture against voltage surges. Factory installed.



**LSP10 - SM** - SURGE PROTECTOR  
Surge protector absorbs transient electrical spikes and protects fixtures and electronics 120/277v. Re-sets after surge. Factory Installed.



## SAFETY CABLE OPTIONS

**SC1** - SAFETY CABLE  
1/16" stainless steel safety cable for added support. Standard kit is 18" and double barrel locks are provided. Approved for California seismic requirements. Rated at 50 lbs.




# COLOR OPTIONS - POWDER COAT PAINT FINISHES

NOTE: NO PRINTED IMAGE CAN EQUAL THE EXACT COLOR OF FINISH ON METAL.  
SEE INDIVIDUAL SPECIFICATION SHEETS OR CONSULT FACTORY FOR ADDITIONAL INFORMATION.



## STANDARD CORD / STEM / CANOPY FINISHES

FIXTURE COLOR	STANDARD CORD COLOR	STANDARD CANOPY / STEM COLOR
Matte White, Textured White	Matte White	Matte White
Gloss White	Matte White	Gloss White
Matte Black, Gloss Black, Textured Black	Matte Black	Matte Black
All Others	Matte Black	Same Color as Fixture
Custom Color	Contact Factory	Contact Factory

## PAINT TIMES

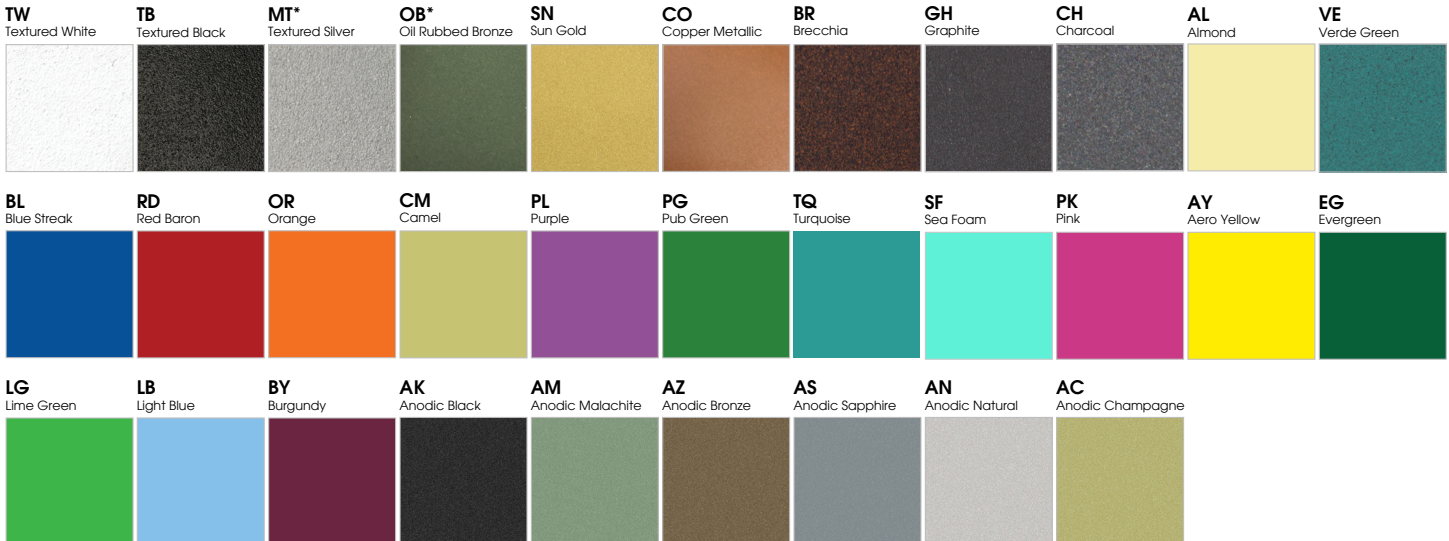
TIER	COST	AVERAGE PAINT TIME*
Tier 1 - Standard Finishes	\$	⓪
Tier 2 - Typical Finishes	\$\$	⓪⓪
Custom Color	Contact Factory	Contact Factory

\*CONTACT FACTORY FOR SPECIFIC PRODUCT LEAD TIMES

## TIER 1 - STANDARD FINISHES



## TIER 2 - TYPICAL FINISHES



## CUSTOM COLOR FINISHES

CONTACT FACTORY

**CC**  
Custom Color



\*UNAVAILABLE FOR WET LOCATION

