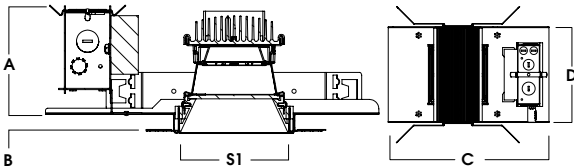
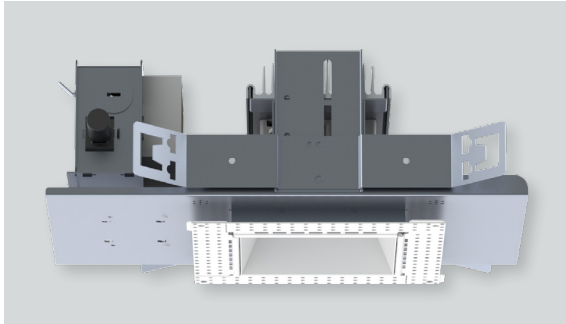
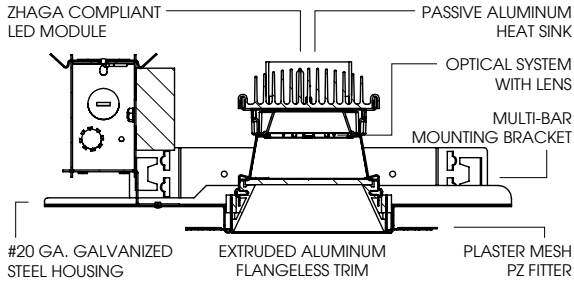


# 4" TRIMLESS SQ DOWNLIGHT

## OS SERIES / 4500 LUMENS MAX



A	B	C	D	S1
4.3	.625	13.3	7.9	4.3
109.2 mm	15.9 mm	337.8 mm	200.7 mm	109.2 mm

### SGE4PZSQLEDOS - TRIMLESS / NON-IC RATED

#### APPLICATION

4" LED Recessed square flangeless trim aperture downlight for general downlighting.

#### FEATURES

Designed for trim free plaster ceiling installation. Two-stage optical system for smooth light distribution. Zhaga International Standard LED module for ease of maintenance and replacement. Tool-less LED module, driver and J-Box access. Multi-Bar mounting brackets. BH27 Standard mounting bars included. Posi-lock trim retention torsion springs. Integral 0.625" collar.

#### TRIM FINISH

A variety of architectural powdercoat colors are available. Plaster mesh fitter included.

#### ELECTRONICS

LED module features high brightness white Osram LEDs. 3-step MacAdam Ellipse binning and CRI 84 minimum. Full range of electronic 120V/277V and dimming drivers.

#### CONSTRUCTION

Housing/frame constructed of #20 ga. galvanized steel to resist corrosion. Passive machined aluminum heatsink.

#### CODE COMPLIANCE

BAA Compliant. Non-IC rated. ETL certified to meet US and Canadian standards. Suitable for dry or damp locations. Optional Wet location. LM79/LM80/TM21 data available. Manufactured and tested to UL standards No. 1598/8750.

WATTAGE TO LUMENS UPDATE					
CURRENT PART NUMBER EXAMPLE	PREVIOUS PART NUMBER EXAMPLE	SOURCE LUMENS <sup>1</sup>	DELIVERED LUMENS <sup>2</sup>	SYSTEM WATTS	LPW
SGE4PZSQLEDOS10L	SGE4PZSQLEDOS14W	1100	803	11	73
SGE4PZSQLEDOS15L	N/A	1500	1001	13	77
SGE4PZSQLEDOS20L	SGE4PZSQLEDOS25W	2000	1705	20	85
SGE4PZSQLEDOS30L	SGE4PZSQLEDOS35W	3000	2344	28	84
SGE4PZSQLEDOS45L	N/A	4500	3464	41	85

SERIES	LUMENS <sup>1</sup>	CCT	DRIVER / VOLTAGE <sup>3</sup>	OPTIONS <sup>4</sup>	TRIM	FINISH	TRIM OPTIONS
SGE4PZSQLEDOS	10L 1100 Lm	27K 2700K	E Electronic Driver	BH27 <sup>5</sup> 27" Solid Bars	SD4NOS	MW <sup>6</sup> Matte White MB Matte Black PT Platinum Silver BZ Bronze OB Oil Rubbed Bronze CH Charcoal AS Anodic Sapphire AN Anodic Natural AC Anodic Champagne AZ Anodic Bronze AK Anodic Black AM Anodic Malachite SN Sun Gold CO Copper Metallic GH Graphite CC <sup>10</sup> Custom Color	SO <sup>11</sup> Micro Prism Solite™ Lens FG Frosted Glass Lens AMB Anti-Microbial Finish
	15L 1500 Lm	30K 3000K	DS10_ 10%, 0-10V	H12 12" - 24" Expandable Bars			
	20L 2000 Lm	35K 3500K	DO10_ 1%, 0-10V	H06 6" - 12" Expandable Bars			
	30L 3000 Lm	40K 4000K	DS2W1 1%, ELV/MLV, 120V	CB24 24" C-Channel Bars			
	45L 4500 Lm		DLTE1 1% Lutron® 2-Wire Forward Phase, 120V	FS Fusing			
		DL3E 1% Lutron® EcoSystem®, Fade	EB Fixture Painted Black				
		EL10_ 1%, eldoLED	CR Corrosion Resistant				
		ED01_ 0.1%, eldoLED	PR <sup>8</sup> Deep Ceiling Extension				
		DALI_ DALI Control	GR Goof Ring				
			ZIG <sup>7</sup> ZigBee Module				
			BLU <sup>7</sup> Bluetooth LE				
			EM <sup>8</sup> 7W Emergency Battery Test Switch Remote				
			AMB Anti-Microbial Finish				

EXAMPLE: SGE4PZSQLEDOS20L35KE1/BH27/SD4NOSMWSO

NOTES:  
 1 Nominal Source Lumens at 35K 2 Nominal Delivered Lumens at 35K with MW-SO 3 Contact Factory for Additional Options 4 See Product Options Page for Details 5 Standard Bar Hangers 6 Contact Factory  
 7 Order DS101/2 When Specifying ZIG or BLU 8 Standard EM 9 Standard Finish 10 Contact Factory for Special Finishes 11 Standard Lens



PROJECT: \_\_\_\_\_  
 TYPE: \_\_\_\_\_



Dimensions and values shown are nominal. Spectrum Lighting continually works to improve products and reserves the right to make changes which may alter the performance or appearance of products.