



## 22" ALUMINUM DDH SERIES



### ALDDH22GV

#### QUICK SHIP

Quick Ship Surface highlights products that can ship in 5 - 10 working days.

#### APPLICATION

22" Lumen Max series performance pendant for low, mid-bay and high-bay applications. Aluminum reflector designed for maximum downlight.

#### FEATURES

Domed Fixture Housing (DDH) features a contemporary design and is easy to maintain. Single-stage optical system for smooth light distribution. 80 CRI minimum. Consult factory for high CRI or special applications. LED module and driver designed for ease of maintenance and replacement. Posi-lock reflector retention ring will absorb shocks and impact. Optional safety cable. Variety of optical lenses and mounting methods.

#### FINISH

Multi-stage polyester powder-coat process applied on our dedicated paint lines. Variety of standard and custom finishes are available. All exposed materials are chromate pretreated to resist corrosion. Standard Matte White interior finish on reflectors.

#### ELECTRONICS

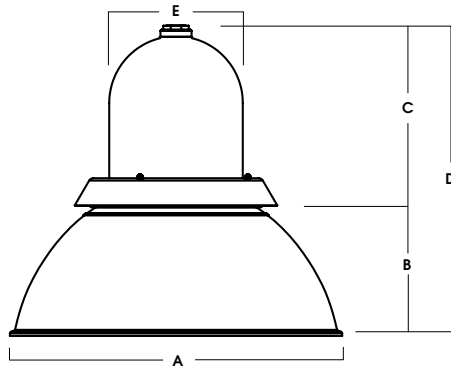
GV LED system features high brightness white Samsung LED's. 3-step MacAdam Ellipse binning. Standard CRI: 80+. Higher CRI, R9 and custom LED configurations are available; consult factory. Variety of electronic 120V/277V and dimming drivers.

#### CONSTRUCTION

Housing constructed of extruded and machined aluminum to resist corrosion. Extruded and machined 6063-T5 aluminum heat sink. Graphite gasket for optimal thermal management. Reflector made of spun .060" aluminum.

#### CODE COMPLIANCE

BAA compliant. ETL certified to meet US and Canadian standards. Suitable for dry or damp locations. Manufactured and tested to UL standards No. 1598/8750.



A	B	C	D	E
22.4	8.7	12.2	20.9	7.5
569.0 mm	221.0 mm	309.9 mm	530.9 mm	190.5 mm

Fixture Weight: 18.0 lbs

LUMENS / WATTAGE DATA				
PART NUMBER	SOURCE LUMENS	DELIVERED LUMENS <sup>2</sup>	SYSTEM WATTS	LPW
ALDDH22GV110L	11000	8997	77	117
ALDDH22GV150L	15000	11997	102	118
ALDDH22GV180L	18000	14409	116	124

SERIES	LUMENS <sup>1</sup>	CCT	DRIVER / DIMMING <sup>3</sup>	OPTIONS <sup>4</sup>	MOUNTING <sup>5</sup>	REFLECTOR	DIFFUSER OPTIONS	FINISH <sup>12</sup>	
ALDDH22GV	110L	11000 Lm	27K 2700K	EX Electronic Driver, 120V/277V DS10X 10% 0-10V, 120V/277V DO10X 1% 0-10V, 120V/277V	FS Fusing 2CIR 2 Circuit 3CIR 3 Circuit E347 347V Driver SC1 Safety Cable SC2 Safety Cable, Reflector to Door Fixture	HM <sup>6</sup> Hang Straight AT <sup>6</sup> Hang Straight All Thread PM <sup>6</sup> Rigid Pendant CD <sup>9</sup> Cord / Cable Mount CD72 72" Cord / Cable Mount HC <sup>6/7/8</sup> Hook & Cord NM2 <sup>7/8/9</sup> 1/2" NPT Hub NM3 <sup>7/8/9</sup> 3/4" NPT Hub EMERGENCY BATTERY OPTIONS EMCR 10W Canopy Mounted EM EMRM 7W Remote EM EMEN 7W Remote with Enclosure	AL22/MWI <sup>10</sup> Matte White Inside AL22/FCI Fixture Color Inside	DR22A <sup>11</sup> 22" Spun Door CNFR Conical Frosted Lens CN Conical Lens DL Drop Lens WO90 White Optical Acrylic PP Prismatic Polycarbonate PC Clear Polycarbonate WAG22 22" Wire Guard	MW <sup>13</sup> Matte White MB <sup>13</sup> Matte Black PT <sup>13</sup> Platinum Silver CC Custom Color  See Page 5 for Full Range of Color Options (83-90081)
	150L	15000 Lm	30K 3000K						
	180L	18000 Lm	35K 3500K 40K 4000K 50K 5000K						

#### QUICK SHIP

EXAMPLE: ALDDH22GV110L27KEX/HM36/AL22/MWI/PT

NOTES:  
 1 Nominal Source Lumens at 35K 2 Nominal Delivered Lumens at 35K with AL22 3 Contact Factory for Additional Options 4 See Product Options Page for Details 5 See Mounting Page for Details on Components and Finishes  
 6 Specify Length in Inches: See Mounting Page for Available Lengths 7 Mounting Supplied by Others 8 Not Available with EMCR 9 12" Leads Unless Specified 10 Reflector Finished Matte White with Finish Color Out  
 11 Same Finish as Housing 12 See Color Page for More Options/Consult Factory for Special Finish 13 Standard Finishes



PROJECT: \_\_\_\_\_  
 QUANTITY: \_\_\_\_\_ TYPE: \_\_\_\_\_



# 22" ALUMINUM

## DDH SERIES / FIXTURE OPTIONS



### STANDARD FINISHES

**MW**  
MATTE WHITE



**MB**  
MATTE BLACK

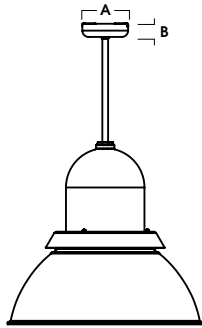


**PT**  
PLATINUM SILVER



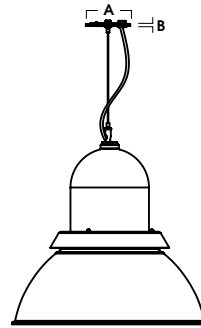
### MOUNTING TYPES

**HM / AT / PM**  
HANG STRAIGHT / ALL THREAD / PENDANT



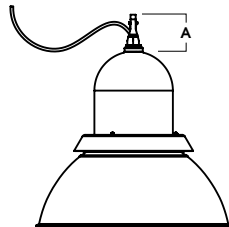
A	B
5.4	2.5
137.2 mm	63.5 mm

**CD**  
CORD / CABLE MOUNT



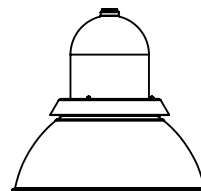
A	B
5.0	.25
127.0 mm	6.4 mm

**HC**  
HOOK CORD



A
4.2
106.7 mm

**NM**  
NO MOUNT



# 22" ALUMINUM

## DDH SERIES / PHOTOMETRIC DATA



ALxxx22LEDGV-180L-40K-EX-AL22

CANDLEPOWER CURVE	INTENSITY	ZONAL LUMENS	SINGLE UNIT: PERFORMANCE INITIAL FOOTCANDLES BASED ON IES BEAM ANGLE				MULTIPLE UNITS: PERFORMANCE 80/50/20% REFLECTANCES INITIAL FOOTCANDLES AND WATTS PER SQUARE FOOT							
			Mounting Height AFF	FC at Center on Floor	Beam Diameter	FC at Beam Edge	Ceiling Height	Fixture Spacing	RCR 2		RCR 4			
	0.00°	0° - 10°	698	5%	10.0'	69 fc	21.3'	29 fc	22'	20' *	36	0.31	29	0.31
	5.00°	0° - 20°	2,643	18%	12.0'	48 fc	25.5'	20 fc	26'	22' **	23	0.20	18	0.20
	10.00°	0° - 30°	5,508	38%	14.0'	35 fc	29.8'	15 fc	32'	24' ***	21	0.18	24	0.26
	15.00°	0° - 40°	8,882	62%	16.0'	27 fc	34.0'	11 fc	Delivered Illuminance Rating: (DIR)					
	20.00°	0° - 60°	13,237	92%	20.0'	17 fc	42.5'	7 fc	4' Suspension Length					
	30.00°	0° - 80°	14,313	99%	24.0'	12 fc	51.0'	5 fc	Square rooms used for multiple units:					
	40.00°	0° - 90°	14,424	100%	28.0'	9 fc	59.5'	4 fc	- RCR 2: Length & Width = Ceiling Ht. - 6.5' x 5.00					
	50.00°	Total	14,424	100%	32.0'	7 fc	68.0'	3 fc	- RCR 4: Length & Width = Ceiling Ht. - 6.5' x 2.50					
	60.00°								* Average Footcandles at 2.5' Above Floor					
	70.00°								* Exceeds spacing criteria by 5%					
80.00°								** Exceeds spacing criteria by -8%						
90.00°								*** Exceeds spacing criteria by -23%						

Delivered Lumens: 14,424  
Luminaire Watts: 116  
LER: 124.34

CP at 0deg (Nadir): 6,925  
CRI: 80+

Beam Angle: 94.22  
Spacing Ratio: 1.23

Lamp Multiplier: 110L x 0.67, 150L x 0.89  
CCT Multiplier: 27K x 0.93, 30K x 0.95, 35K x 0.97, 50K x 1.03

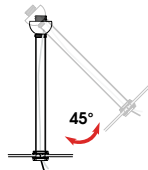

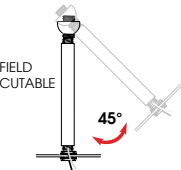
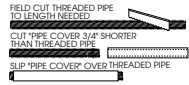

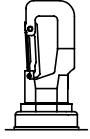


# MOUNTING & ACCESSORIES

SOME OPTIONS NOT AVAILABLE ON ALL FIXTURES, CONSULT SPECIFICATION SHEETS. SEE INDIVIDUAL SPECIFICATION SHEETS OR CONSULT FACTORY FOR ADDITIONAL INFORMATION. NOTE: THIS IS TYPICAL OF LUMEN MAX SPECIFICATION FOR PENDANT MOUNTING. INDIVIDUAL FIXTURES OR PROJECTS MAY HAVE SPECIALIZED REQUIREMENTS.



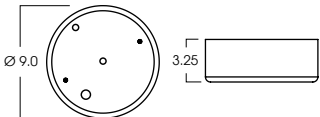
## MOUNTING TYPES

<p><b>HM*</b> HANG STRAIGHT 45° SWIVEL 5/8" OD STEM - 3/8" IP</p>  <p>ORDER: <b>HM</b> (Length) SPECIFY LENGTH: <b>HM3</b> - 3"    <b>HM24</b> - 24" <b>HM6</b> - 6"    <b>HM36</b> - 36" <b>HM12</b> - 12"   <b>HM48</b> - 48" <b>HM18</b> - 18"   <b>HM72</b> - 72" <b>HMLC(XX)</b> Custom Length (Specify in Inches)</p>	<p><b>PM*</b> RIGID PENDANT MOUNT RIGID 5/8" OD STEM - 3/8" IP</p>  <p>ORDER: <b>PM</b> (Length) SPECIFY LENGTH: <b>PM3</b> - 3"    <b>PM24</b> - 24" <b>PM6</b> - 6"    <b>PM36</b> - 36" <b>PM12</b> - 12"   <b>PM48</b> - 48" <b>PM18</b> - 18"   <b>PM72</b> - 72" <b>PMLC(XX)</b> Custom Length (Specify in Inches)</p>	<p><b>AT**</b> HANG STRAIGHT ALL THREAD 45° SWIVEL 5/8" OD STEM - 1/4" IP</p>  <p>ORDER: <b>AT</b> (Length) SPECIFY LENGTH: <b>AT12</b> - 12" <b>AT24</b> - 24" <b>AT36</b> - 36"</p> 	<p><b>CD</b> CORD / CABLE MOUNT SJ CORD WITH 1/16 SS CABLE</p>  <p>ORDER: <b>CD</b> (Length) SPECIFY LENGTH: <b>CD36</b> - 36" <b>CD72</b> - 72" <b>CD144</b> - 144" <b>CDLC(XX)</b> Custom Length (Specify in Inches)</p>	<p><b>HC</b> HOOK &amp; CORD FOR INDEPENDENT MOUNTING</p>  <p>ORDER: <b>HC</b></p>
--	---	--	---	---

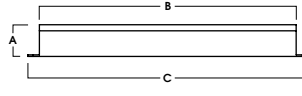
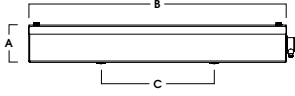
\*MAXIMUM ONE PIECE STEM LENGTH IS 72". \*\*MAXIMUM ONE PIECE STEM LENGTH IS 36". LONGER LENGTHS ARE POSSIBLE USING MULTIPLE STEMS AND COUPLERS.

## EMERGENCY BATTERY OPTIONS

**EMCR** - LARGE DRIVER CANOPY FOR 10W EMERGENCY BATTERY



## REMOTE EMERGENCY BATTERY OPTIONS

<p><b>EMRM*</b> - 7W REMOTE EMERGENCY BATTERY (50' MAX)</p>  <table border="1"> <thead> <tr> <th>A</th> <th>B</th> <th>C</th> </tr> </thead> <tbody> <tr> <td>1.3</td> <td>12.6</td> <td>13.0</td> </tr> </tbody> </table>	A	B	C	1.3	12.6	13.0	<p><b>EMEN*</b> - 7W REMOTE EMERGENCY BATTERY WITH ENCLOSURE (50' MAX)</p>  <table border="1"> <thead> <tr> <th>A</th> <th>B</th> <th>C</th> </tr> </thead> <tbody> <tr> <td>2.0</td> <td>17.0</td> <td>6.2</td> </tr> </tbody> </table>	A	B	C	2.0	17.0	6.2
A	B	C											
1.3	12.6	13.0											
A	B	C											
2.0	17.0	6.2											

\*OTHER EM BATTERY SIZES AVAILABLE, CONSULT FACTORY

## ADDITIONS


**FS** - FUSING

Slow blow type fuse protects fixture against voltage surges. Factory installed.



**LSP10 - SM** - SURGE PROTECTOR

Surge protector absorbs transient electrical spikes and protects fixtures and electronics 120/277v. Re-sets after surge. Factory Installed.



## SAFETY CABLE OPTIONS

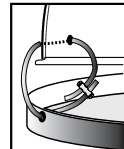
**SC1** - SAFETY CABLE

1/16" stainless steel safety cable for added support. Standard kit is 18" and double barrel locks are provided. Approved for California seismic requirements. Rated at 50 lbs.



**SC2** - SAFETY CABLE

1/16" Stainless steel cable holds door to fixture




# COLOR OPTIONS - POWDER COAT PAINT FINISHES

NOTE: NO PRINTED IMAGE CAN EQUAL THE EXACT COLOR OF FINISH ON METAL.  
SEE INDIVIDUAL SPECIFICATION SHEETS OR CONSULT FACTORY FOR ADDITIONAL INFORMATION.



## STANDARD CORD / STEM / CANOPY FINISHES

FIXTURE COLOR	STANDARD CORD COLOR	STANDARD CANOPY / STEM COLOR
Matte White, Textured White	Matte White	Matte White
Gloss White	Matte White	Gloss White
Matte Black, Gloss Black, Textured Black	Matte Black	Matte Black
All Others	Matte Black	Same Color as Fixture
Custom Color	Contact Factory	Contact Factory

## PAINT TIMES

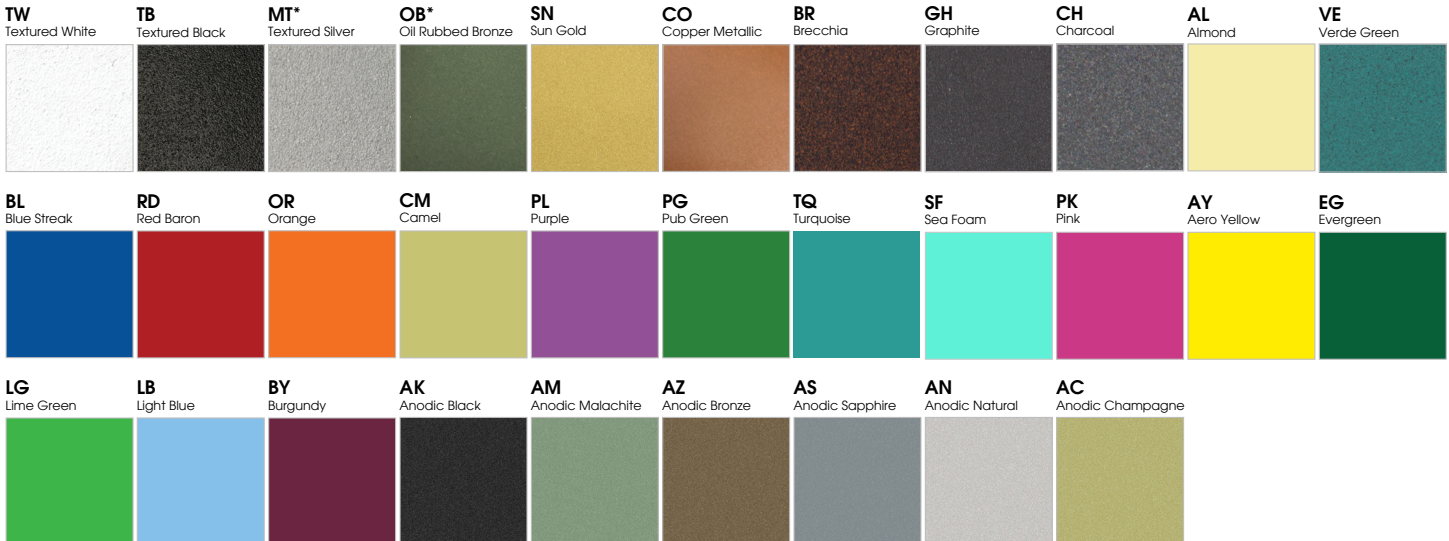
TIER	COST	AVERAGE PAINT TIME*
Tier 1 - Standard Finishes	\$	⌚
Tier 2 - Typical Finishes	\$\$	⌚⌚
Custom Color	Contact Factory	Contact Factory

\*CONTACT FACTORY FOR SPECIFIC PRODUCT LEAD TIMES

## TIER 1 - STANDARD FINISHES



## TIER 2 - TYPICAL FINISHES



## CUSTOM COLOR FINISHES

CONTACT FACTORY

**CC**  
Custom Color



\*UNAVAILABLE FOR WET LOCATION

