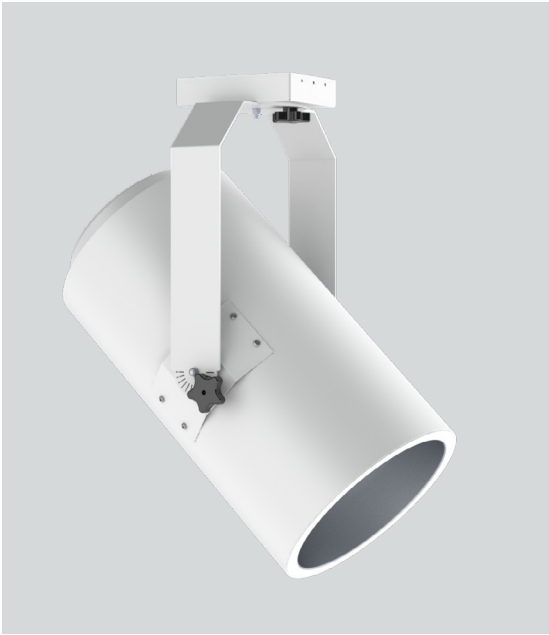


12" ROUND ACCENT DIRECT

GENERAL ILLUMINATION



CYK1220GV - YOKE MOUNT

APPLICATION

12" round x 20" high Theatrical Pro Pendant for auditorium and area lighting. Adjustable / lockable toke for aiming and adjustment.

FEATURES

Architectural high performance LED Cylinder luminaire. Designed to illuminate auditoriums, houses of worship and other spaces where LED color quality and control are required. This series offers .01% dim to black as well as DMX, ELV and DALI dimming. Rugged design with flexible mounting, finish and LED options make these extremely versatile fixtures.

FINISH

Multi-stage polyester powder-coat process applied on our dedicated paint lines. See mounting and color pages for standard finishes. All exposed materials are chromate pretreated to resist corrosion.

ELECTRONICS

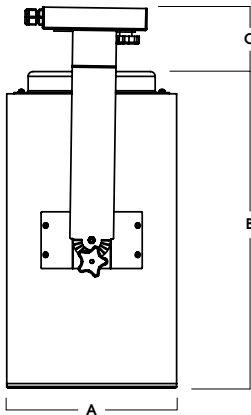
GV LED system features high brightness white Samsung LED's. 3-step MacAdam Ellipse binning. Standard CRI: 85+. Higher CRI, R9 and custom LED configurations are available; consult factory. Variety of electronic 120V/277V and dimming drivers. DMX controls available.

CONSTRUCTION

Fabricated seamless aluminum fixture housing. Specular primary optical reflectors provide high efficiency illumination. Stainless steel hardware with galvanized steel brackets to resist corrosion. One piece reflector trim spun from .063 thick high purity aluminum and finished to specification.

CODE COMPLIANCE

BAA compliant. ETL certified to meet US and Canadian standards. Suitable for dry or damp locations. Manufactured and tested to UL standards No. 1598/8750.



| A | B | C |
|------------------|------------------|-----------------|
| 11.7 297.2 mm | 21.6 548.6 mm | 4.4 111.8 mm |

| LUMENS / WATTAGE DATA | | | | |
|-----------------------|----------------------------|-------------------------------|--------------|-----|
| PART NUMBER | SOURCE LUMENS ¹ | DELIVERED LUMENS ² | SYSTEM WATTS | LPW |
| CYK1220GV15L | 1500 | 1041 | 10 | 104 |
| CYK1220GV27L | 2700 | 1818 | 18 | 101 |
| CYK1220GV37L | 3700 | 2666 | 26 | 103 |
| CYK1220GV55L | 5500 | 3927 | 39 | 101 |

| SERIES | LUMENS ¹ | CCT | DRIVER / DIMMING ³ | OPTIONS ⁶ | TRIM | MOUNTING ⁹ | FINISH ¹¹ | |
|-----------|---------------------|---------|-------------------------------|--|---|--|-------------------------|--|
| CYK1220GV | 15L | 1500 Lm | 27K 2700K | EX Electronic Driver, 120V/277V DS10X 10%, 0-10V, 120V/277V DO10X 1%, 0-10V, 120V/277V DS2W1 ELV / MLV, 120V DLTE1⁴ Lutron 2-Wire Forward Phase (MLV), 120V DL3EX⁵ 1%, Lutron® EcoSystem® Fade, 120V/277V ED01X 0.1%, eldoLED 120V/277V DALIX DALI Control DMXS⁸ DMX Standard Configuration DMXC⁸ DMX Non-Standard Custom | FS Fuse Holder and Fuse SC1 Safety Cable | TSG⁷ Semi Diffuse Low Iridescent Clear TCY Same Color as Cylinder TCC Custom Color | SM Surface Mount | MW¹² Matte White MB¹² Matte Black PT¹² Platinum Silver CC Custom Color |
| | 27L | 2700 Lm | 30K 3000K | | | | | |
| | 37L | 3700 Lm | 35K 3500K | | | | | |
| | 55L | 5500 Lm | 40K 4000K 50K 5000K | | | | | |

EXAMPLE: CYK1220GV37L35KDS10X/TGSO/SM/MW

NOTES:
 1 Nominal Source Lumens at 35K 2 Nominal Delivered Lumens at 35K with TSG-SO 3 Contact Factory for Additional Options 4 37L Max 5 Contact Factory 6 See Product Options Page For Details 7 Standard Finish 8 Standard Lens 9 See Mounting Page for Details on Components and Finishes 10 EMIT Up to 37L 11 See Color Page for More Options/Consult Factory for Special Finishes 12 Standard Finishes



PROJECT: _____
 TYPE: _____



Dimensions and values shown are nominal. Spectrum Lighting continually works to improve products and reserves the right to make changes which may alter the performance or appearance of products.

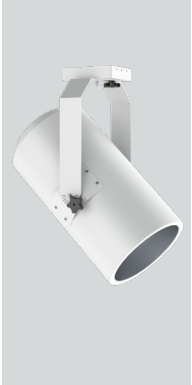
12" ROUND ACCENT DIRECT

GENERAL ILLUMINATION / FIXTURE OPTIONS



STANDARD FINISHES

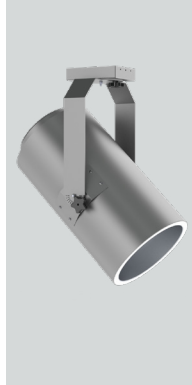
MW
MATTE WHITE



MB
MATTE BLACK

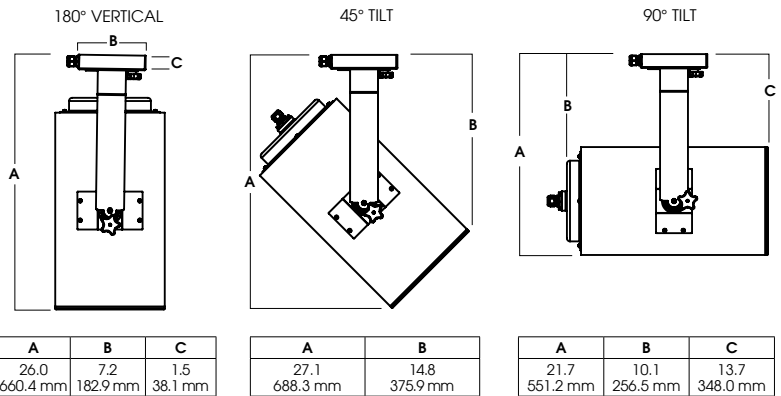


PT
PLATINUM SILVER



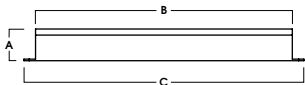
MOUNTING TYPES

YK
YOKE MOUNT



REMOTE EMERGENCY BATTERY OPTIONS

EMRM* - 7W REMOTE EMERGENCY BATTERY
(50' MAX)



| A | B | C |
|-----|------|------|
| 1.3 | 12.6 | 13.0 |

*OTHER EM BATTERY SIZES AVAILABLE, CONSULT FACTORY

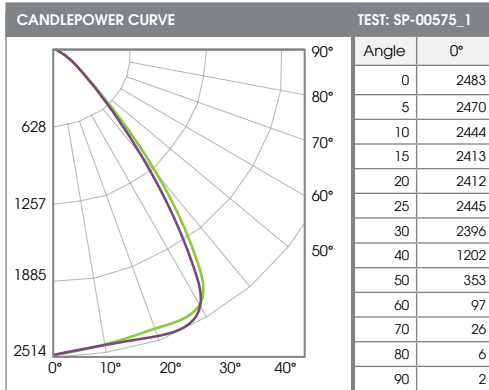
12" ROUND ACCENT DIRECT

GENERAL ILLUMINATION / PHOTOMETRIC DATA



C12xxGV-55L35K-EX-TSG-SO

55L - 85 CRI



| 0-10 | 236 | 6% |
|--------------|------|------|
| 0-20 | 931 | 24% |
| 0-30 | 2071 | 53% |
| 0-40 | 3190 | 81% |
| 0-60 | 3853 | 98% |
| 0-80 | 3923 | 100% |
| 0-90 | 3927 | 100% |
| Total Lumens | 3927 | 100% |

| Mounting Height* | FC at Center | Diameter of Beam** | FC at Beam** |
|------------------|--------------|--------------------|--------------|
| 5.5' | 82 | 7.7' | 28 |
| 6.5' | 59 | 9.1' | 20 |
| 7.5' | 44 | 10.5' | 15 |
| 8.5' | 34 | 11.9' | 12 |
| 10.0' | 25 | 14.0' | 8 |
| 12.0' | 17 | 16.8' | 6 |
| 14.0' | 13 | 19.6' | 4 |
| 16.0' | 10 | 22.4' | 3 |

* From aperture to horizontal surface below.
** At IESNA defined Beam Angle, to 50% Max. CP.

Green: 0-180
Purple: 45-225

Delivered Lumens: 3927 CP @ 0° (Nadir): 2483
Luminaire Watts: 39 Beam Angle: 70°
LER: 101 CRI: 84

Spacing Ratio: 1.32
Output Multipliers: 15L x 0.27, 27L x 0.49, 37L x 0.67

COLOR OPTIONS - POWDER COAT PAINT FINISHES

NOTE: NO PRINTED IMAGE CAN EQUAL THE EXACT COLOR OF FINISH ON METAL.
SEE INDIVIDUAL SPECIFICATION SHEETS OR CONSULT FACTORY FOR ADDITIONAL INFORMATION.



STANDARD CORD / STEM / CANOPY FINISHES

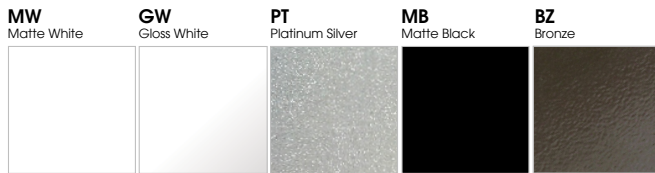
| FIXTURE COLOR | STANDARD CORD COLOR | STANDARD CANOPY / STEM COLOR |
|-----------------------------|---------------------|------------------------------|
| Matte White, Textured White | Matte White | Matte White |
| Gloss White | Matte White | Gloss White |
| Matte Black, Textured Black | Matte Black | Matte Black |
| All Others | Matte Black | Same Color as Fixture |
| Custom Color | Contact Factory | Contact Factory |

PAINT TIMES

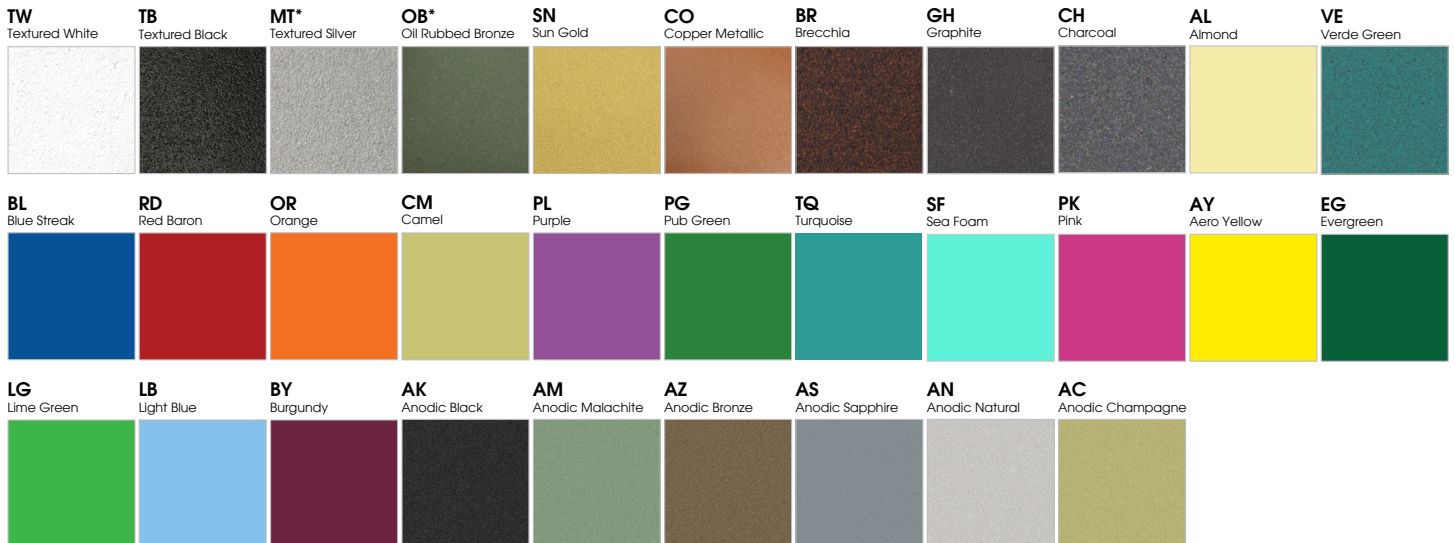
| TIER | COST | AVERAGE PAINT TIME* |
|----------------------------|-----------------|---------------------|
| Tier 1 - Standard Finishes | \$ | ⌚ |
| Tier 2 - Typical Finishes | \$\$ | ⌚⌚ |
| Custom Color | Contact Factory | Contact Factory |

*CONTACT FACTORY FOR SPECIFIC PRODUCT LEAD TIMES

TIER 1 - STANDARD FINISHES



TIER 2 - TYPICAL FINISHES



CUSTOM COLOR FINISHES

CONTACT FACTORY

CC
Custom Color



*UNAVAILABLE FOR WET LOCATION