



# 12" PRISMATIC DDH SERIES



## PRDDH12GV

### QUICK SHIP

Quick Ship Surface highlights products that can ship in 5 - 10 working days.

### APPLICATION

12" Lumen Max series performance pendant for low and mid-bay applications. Prismatic refractor provides horizontal and vertical distribution.

### FEATURES

Domed Fixture Housing (DDH) features a contemporary design that is easy to maintain. Single-stage optical system for smooth light distribution. 80 CRI minimum. Consult factory for high CRI or special applications. LED module and driver designed for ease of maintenance and replacement. Posi-lock refractor retention ring will absorb shocks and impact. Optional safety cable. Variety of optical lenses and mounting methods.

### FINISH

Multi-stage polyester powder-coat process applied on our dedicated paint lines. Variety of standard and custom finishes are available. All exposed materials are chromate pretreated to resist corrosion.

### ELECTRONICS

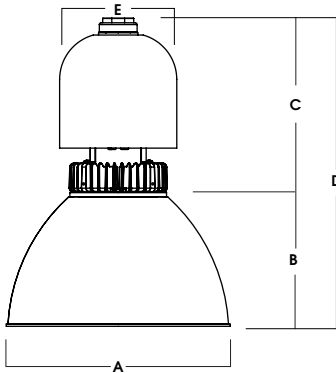
GV LED system features high brightness white Samsung LED's. 3-step MacAdam Ellipse binning. Standard CRI: 80+. Higher CRI, R9 and custom LED configurations are available, consult factory.

### CONSTRUCTION

Housing constructed of spun and fabricated aluminum to resist corrosion. Graphite gasket for optimal thermal management. Die-cast aluminum heat sink. Refractor made of cast UV stabilized acrylic.

### CODE COMPLIANCE

BAA compliant. ETL certified to meet US and Canadian standards. Suitable for dry or damp locations. Manufactured and tested to UL standards No. 1598/8750.



A	B	C	D	E
12.4 315.0 mm	7.4 188.0 mm	8.7 221.0 mm	16.1 408.9 mm	6.5 165.1 mm

LUMENS / WATTAGE DATA				
PART NUMBER	SOURCE LUMENS <sup>1</sup>	DELIVERED LUMENS <sup>2</sup>	SYSTEM WATTS	LPW
PRDDH12GV15L	1500	1323	10	132
PRDDH12GV27L	2700	2303	18	128
PRDDH12GV37L	3700	3381	26	130
PRDDH12GV55L	5500	4899	39	126

SERIES	LUMENS <sup>1</sup>	CCT	DRIVER / DIMMING <sup>3</sup>	OPTIONS <sup>4</sup>	MOUNTING <sup>5</sup>	REFRACTOR	DIFFUSER OPTIONS	FINISH <sup>11</sup>
PRDDH12GV	15L 1500 Lm	27K 2700K	EX Electronic Driver, 120V/277V	FS Fusing	HM <sup>6</sup> Hang Straight	DF12 12" Diffuse	DOOR	MW <sup>12</sup> Matte White
	27L 2700 Lm	30K 3000K						
	37L 3700 Lm	35K 3500K	DS10X 10% 0-10V, 120V/277V	SC1 Safety Cable	PM <sup>8</sup> Rigid Pendant	OP12 12" Opal	DL Drop Lens	PT <sup>12</sup> Platinum Silver
	55L 5500 Lm	40K 4000K						
		50K 5000K	DO103 1% 0-10V, 347V		HC <sup>6/7/8</sup> Hook & Cord	RS12 <sup>9</sup> 12" Refractor Shroud	PP Prismatic Polycarbonate	See Page 4 for Full Range of Color Options (83-90081)
				NM2 <sup>7/8/9</sup> 1/2" NPT Hub	WAG12 12" Wire Guard			
				NM3 <sup>7/8/9</sup> 3/4" NPT Hub				
				EMERGENCY BATTERY OPTIONS				
					EMCR 10W Canopy Mounted EM			
					EMRM 7W Remote EM			
					EMEN 7W Remote with Enclosure			

### QUICK SHIP

EXAMPLE: PRDDH12GV55L27KEX/HM36/PR12/DR12ACN/MW

### NOTES:

1 Nominal Source Lumens at 35K 2 Nominal Delivered Lumens at 35K with DF12/DR12A/CNFR 3 Contact Factory for Additional Options 4 See Product Options Page for Details 5 See Mounting Page for Details on Components and Finishes 6 Specify Length in Inches: See Mounting Page for Available Lengths 7 Mounting Supplied by Others 8 Not Available with EMCR 9 12" Leads Unless Specified 10 Same Finish as Housing 11 See Color Page for More Options/Consult Factory for Special Finishes 12 Standard Finishes



PROJECT: \_\_\_\_\_  
 QUANTITY: \_\_\_\_\_ TYPE: \_\_\_\_\_



# 12" PRISMATIC

## DDH SERIES / FIXTURE OPTIONS



### STANDARD FINISHES

**MW**  
MATTE WHITE



**MB**  
MATTE BLACK

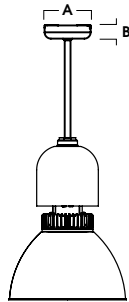


**PT**  
PLATINUM SILVER



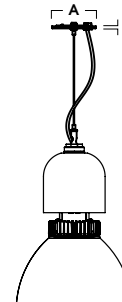
### MOUNTING TYPES

**HM / AT / PM**  
HANG STRAIGHT / ALL THREAD / PENDANT



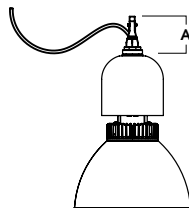
A	B
5.4	2.5
137.2 mm	63.5 mm

**CD**  
CORD / CABLE MOUNT



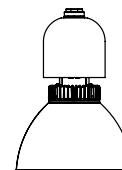
A	B
5.0	.25
127.0 mm	6.4 mm

**HC**  
HOOK CORD



A
4.2
106.7 mm

**NM**  
NO MOUNT



# 12" PRISMATIC

## DDH SERIES / PHOTOMETRIC DATA



PRDDH12GV 55L 35K XX PR12 NL MW

CANDLEPOWER CURVE TEST SP-00456_34	INTENSITY CANDELA 0° AZIMUTH	ZONAL LUMENS	SINGLE UNIT: PERFORMANCE DIRECT FOOTCANDLES BASED ON DOWNLIGHT ONLY	MULTIPLE UNITS: PERFORMANCE 80/50/20% REFLECTANCES INITIAL FOOTCANDLES AND WATTS PER SQUARE FOOT																																			
	0°	0° - 10°	577	11%	<table border="1"> <thead> <tr> <th rowspan="2">Ceiling Height</th> <th rowspan="2">Fixture Spacing</th> <th colspan="2">RCR 1</th> <th colspan="2">RCR 3</th> </tr> <tr> <th>FC *</th> <th>W/Sq. Ft.</th> <th>FC *</th> <th>W/Sq. Ft.</th> </tr> </thead> <tbody> <tr> <td>18'</td> <td>9'</td> <td>68</td> <td>0.49</td> <td>67</td> <td>0.56</td> </tr> <tr> <td>22'</td> <td>11'</td> <td>45</td> <td>0.32</td> <td>39</td> <td>0.32</td> </tr> <tr> <td>26'</td> <td>13'</td> <td>33</td> <td>0.24</td> <td>25</td> <td>0.21</td> </tr> <tr> <td colspan="2">Delivered Illuminance Rating: (DIR)</td> <td colspan="2">139 FC per W/Sq. Ft.</td> <td colspan="2">119 FC per W/Sq. Ft.</td> </tr> </tbody> </table> <p>3' Suspension Length to luminous aperture Square rooms used for multiple units: RCR 1: Length &amp; Width = Ceiling Ht. - 5.5' x 10.00 RCR 3: Length &amp; Width = Ceiling Ht. - 5.5' x 3.33 * Average Footcandles at 2.5' Above Floor * Exceeds Spacing Ratio by 6%</p>	Ceiling Height	Fixture Spacing	RCR 1		RCR 3		FC *	W/Sq. Ft.	FC *	W/Sq. Ft.	18'	9'	68	0.49	67	0.56	22'	11'	45	0.32	39	0.32	26'	13'	33	0.24	25	0.21	Delivered Illuminance Rating: (DIR)		139 FC per W/Sq. Ft.		119 FC per W/Sq. Ft.	
	Ceiling Height	Fixture Spacing	RCR 1					RCR 3																															
			FC *	W/Sq. Ft.		FC *	W/Sq. Ft.																																
	18'	9'	68	0.49		67	0.56																																
	22'	11'	45	0.32		39	0.32																																
	26'	13'	33	0.24		25	0.21																																
	Delivered Illuminance Rating: (DIR)		139 FC per W/Sq. Ft.			119 FC per W/Sq. Ft.																																	
	0°	0° - 30°	3291	65%		Mounting Height AFF	FC at Center on Floor	Beam Diameter	FC at Beam Edge																														
	20°	0° - 60°	4828	95%		8'	100 fc	7.1'	38 fc																														
	40°	90° - 120°	37	1%		10'	64 fc	8.9'	24 fc																														
	60°	90° - 150°	68	1%		12'	44 fc	10.7'	17 fc																														
	80°	0° - 90°	5006	99%		14'	33 fc	12.5'	12 fc																														
	90°	90° - 180°	72	1%		16'	25 fc	14.3'	10 fc																														
	100°	Total	5079	100%		20'	16 fc	17.8'	6 fc																														
	120°					24'	11 fc	21.4'	4 fc																														
	140°					28'	8 fc	25.0'	3 fc																														
	160°																																						
180°																																							

Delivered Lumens: 5079  
Luminaire Watts: 39  
LER: 130.23

CP at 0° (Nadir): 6397  
CRI: 83

Beam Angle: 50°  
Spacing Ratio: 0.68

Lumen Multiplier: 15L x 0.27, 27L x 0.46, 37L x 0.68  
CCT Multiplier: 27K x 0.97, 30K x 0.99, 40K x 1.03  
50K x 1.06

PRDDH12GV 55L 35K XX PR12 DR12A CNFR MW

CANDLEPOWER CURVE TEST SP-00456_29	INTENSITY CANDELA 0° AZIMUTH	ZONAL LUMENS	SINGLE UNIT: PERFORMANCE DIRECT FOOTCANDLES BASED ON DOWNLIGHT ONLY	MULTIPLE UNITS: PERFORMANCE 80/50/20% REFLECTANCES INITIAL FOOTCANDLES AND WATTS PER SQUARE FOOT																																			
	0°	0° - 10°	268	5%	<table border="1"> <thead> <tr> <th rowspan="2">Ceiling Height</th> <th rowspan="2">Fixture Spacing</th> <th colspan="2">RCR 1</th> <th colspan="2">RCR 3</th> </tr> <tr> <th>FC *</th> <th>W/Sq. Ft.</th> <th>FC *</th> <th>W/Sq. Ft.</th> </tr> </thead> <tbody> <tr> <td>18'</td> <td>9'</td> <td>63</td> <td>0.49</td> <td>38</td> <td>0.36</td> </tr> <tr> <td>22'</td> <td>11'</td> <td>41</td> <td>0.32</td> <td>34</td> <td>0.32</td> </tr> <tr> <td>26'</td> <td>13'</td> <td>27</td> <td>0.21</td> <td>22</td> <td>0.21</td> </tr> <tr> <td colspan="2">Delivered Illuminance Rating: (DIR)</td> <td colspan="2">128 FC per W/Sq. Ft.</td> <td colspan="2">105 FC per W/Sq. Ft.</td> </tr> </tbody> </table> <p>3' Suspension Length to luminous aperture Square rooms used for multiple units: RCR 1: Length &amp; Width = Ceiling Ht. - 5.5' x 10.00 RCR 3: Length &amp; Width = Ceiling Ht. - 5.5' x 3.33 * Average Footcandles at 2.5' Above Floor</p>	Ceiling Height	Fixture Spacing	RCR 1		RCR 3		FC *	W/Sq. Ft.	FC *	W/Sq. Ft.	18'	9'	63	0.49	38	0.36	22'	11'	41	0.32	34	0.32	26'	13'	27	0.21	22	0.21	Delivered Illuminance Rating: (DIR)		128 FC per W/Sq. Ft.		105 FC per W/Sq. Ft.	
	Ceiling Height	Fixture Spacing	RCR 1					RCR 3																															
			FC *	W/Sq. Ft.		FC *	W/Sq. Ft.																																
	18'	9'	63	0.49		38	0.36																																
	22'	11'	41	0.32		34	0.32																																
	26'	13'	27	0.21		22	0.21																																
	Delivered Illuminance Rating: (DIR)		128 FC per W/Sq. Ft.			105 FC per W/Sq. Ft.																																	
	0°	0° - 30°	2150	44%		Mounting Height AFF	FC at Center on Floor	Beam Diameter	FC at Beam Edge																														
	20°	0° - 60°	4111	84%		8'	43 fc	6.1'	11 fc																														
	40°	90° - 120°	267	5%		10'	28 fc	7.7'	7 fc																														
	60°	90° - 150°	437	9%		12'	19 fc	9.2'	5 fc																														
	80°	0° - 90°	4459	91%		14'	14 fc	10.8'	4 fc																														
	90°	90° - 180°	439	9%		16'	11 fc	12.3'	3 fc																														
	100°	Total	4899	100%		20'	7 fc	15.4'	2 fc																														
	120°					24'	5 fc	18.4'	1 fc																														
	140°					28'	4 fc	21.5'	1 fc																														
	160°																																						
180°																																							

Delivered Lumens: 4899  
Luminaire Watts: 39  
LER: 125.62

CP at 0° (Nadir): 2760  
CRI: 83

Beam Angle: 75°  
Spacing Ratio: 1.15

Lumen Multiplier: 15L x 0.27, 27L x 0.46, 37L x 0.68  
CCT Multiplier: 27K x 0.97, 30K x 0.99, 40K x 1.03  
50K x 1.06

PRDDH12GV 55L 35K XX PR12 DR12A CN MW

CANDLEPOWER CURVE TEST SP-00456_28	INTENSITY CANDELA 0° AZIMUTH	ZONAL LUMENS	SINGLE UNIT: PERFORMANCE DIRECT FOOTCANDLES BASED ON DOWNLIGHT ONLY	MULTIPLE UNITS: PERFORMANCE 80/50/20% REFLECTANCES INITIAL FOOTCANDLES AND WATTS PER SQUARE FOOT																																			
	0°	0° - 10°	279	6%	<table border="1"> <thead> <tr> <th rowspan="2">Ceiling Height</th> <th rowspan="2">Fixture Spacing</th> <th colspan="2">RCR 1</th> <th colspan="2">RCR 3</th> </tr> <tr> <th>FC *</th> <th>W/Sq. Ft.</th> <th>FC *</th> <th>W/Sq. Ft.</th> </tr> </thead> <tbody> <tr> <td>18'</td> <td>9'</td> <td>63</td> <td>0.49</td> <td>39</td> <td>0.36</td> </tr> <tr> <td>22'</td> <td>11'</td> <td>41</td> <td>0.32</td> <td>35</td> <td>0.32</td> </tr> <tr> <td>26'</td> <td>13'</td> <td>27</td> <td>0.21</td> <td>22</td> <td>0.21</td> </tr> <tr> <td colspan="2">Delivered Illuminance Rating: (DIR)</td> <td colspan="2">128 FC per W/Sq. Ft.</td> <td colspan="2">107 FC per W/Sq. Ft.</td> </tr> </tbody> </table> <p>3' Suspension Length to luminous aperture Square rooms used for multiple units: RCR 1: Length &amp; Width = Ceiling Ht. - 5.5' x 10.00 RCR 3: Length &amp; Width = Ceiling Ht. - 5.5' x 3.33 * Average Footcandles at 2.5' Above Floor</p>	Ceiling Height	Fixture Spacing	RCR 1		RCR 3		FC *	W/Sq. Ft.	FC *	W/Sq. Ft.	18'	9'	63	0.49	39	0.36	22'	11'	41	0.32	35	0.32	26'	13'	27	0.21	22	0.21	Delivered Illuminance Rating: (DIR)		128 FC per W/Sq. Ft.		107 FC per W/Sq. Ft.	
	Ceiling Height	Fixture Spacing	RCR 1					RCR 3																															
			FC *	W/Sq. Ft.		FC *	W/Sq. Ft.																																
	18'	9'	63	0.49		39	0.36																																
	22'	11'	41	0.32		35	0.32																																
	26'	13'	27	0.21		22	0.21																																
	Delivered Illuminance Rating: (DIR)		128 FC per W/Sq. Ft.			107 FC per W/Sq. Ft.																																	
	0°	0° - 30°	2390	49%		Mounting Height AFF	FC at Center on Floor	Beam Diameter	FC at Beam Edge																														
	20°	0° - 60°	4267	88%		8'	44 fc	6.2'	11 fc																														
	40°	90° - 120°	216	4%		10'	28 fc	7.8'	7 fc																														
	60°	90° - 150°	357	7%		12'	20 fc	9.3'	5 fc																														
	80°	0° - 90°	4493	93%		14'	14 fc	10.9'	4 fc																														
	90°	90° - 180°	359	7%		16'	11 fc	12.4'	3 fc																														
	100°	Total	4852	100%		20'	7 fc	15.6'	2 fc																														
	120°					24'	5 fc	18.7'	1 fc																														
	140°					28'	4 fc	21.8'	1 fc																														
	160°																																						
180°																																							

Delivered Lumens: 4852  
Luminaire Watts: 39  
LER: 124.41

CP at 0° (Nadir): 2838  
CRI: 83

Beam Angle: 76°  
Spacing Ratio: 1.25

Lumen Multiplier: 15L x 0.27, 27L x 0.46, 37L x 0.68  
CCT Multiplier: 27K x 0.97, 30K x 0.99, 40K x 1.03  
50K x 1.06



# 12" PRISMATIC

## DDH SERIES / PHOTOMETRIC DATA



PRDDH12GV 55L 35K XX PR12 DR12A DL MW

CANDLEPOWER CURVE TEST SP-00456_30	INTENSITY CANDELA 0° AZIMUTH	ZONAL LUMENS	SINGLE UNIT: PERFORMANCE DIRECT FOOTCANDLES BASED ON DOWNLIGHT ONLY				MULTIPLE UNITS: PERFORMANCE 80/50/20% REFLECTANCES INITIAL FOOTCANDLES AND WATTS PER SQUARE FOOT							
			Mounting Height AFF	FC at Center on Floor	Beam Diameter	FC at Beam Edge	Ceiling Height	Fixture Spacing	RCR 1		RCR 3			
	0°	0° - 10°	228	5%	8'	37 fc	6.7'	8 fc	18'	9'	51	0.42	36	0.36
	0°	0° - 30°	2009	44%	10'	24 fc	8.4'	5 fc	22'	11'	39	0.32	32	0.32
	20°	0° - 60°	3951	87%	12'	16 fc	10.1'	4 fc	26'	13'	25	0.21	21	0.21
	40°	90° - 120°	223	5%	14'	12 fc	11.7'	3 fc	Delivered Illuminance Rating: (DIR)		120 FC per W/Sq. Ft.		99 FC per W/Sq. Ft.	
	60°	90° - 150°	368	8%	16'	9 fc	13.4'	2 fc	3' Suspension Length to luminous aperture Square rooms used for multiple units: RCR 1: Length & Width = Ceiling Ht. - 5.5' x 10.00 RCR 3: Length & Width = Ceiling Ht. - 5.5' x 3.33 * Average Footcandles at 2.5' Above Floor					
	80°	0° - 90°	4192	92%	20'	6 fc	16.8'	1 fc						
	100°	90° - 180°	370	8%	24'	4 fc	20.1'	1 fc						
	120°	180°	2		28'	3 fc	23.5'	1 fc						
	140°	Total	4562	100%										
	160°													
	180°													

Delivered Lumens: 4562  
Luminaire Watts: 39  
LER: 116.97

CP at 0° (Nadir): 2352  
CRI: 83

Beam Angle: 80°  
Spacing Ratio: 1.32

Lumen Multiplier: 15L x 0.27, 27L x 0.46, 37L x 0.68  
CCT Multiplier: 27K x 0.97, 30K x 0.99, 40K x 1.03  
50K x 1.06

PRDDH12GV 55L 35K XX PR12 DR12A FO MW

CANDLEPOWER CURVE TEST SP-00456_31	INTENSITY CANDELA 0° AZIMUTH	ZONAL LUMENS	SINGLE UNIT: PERFORMANCE DIRECT FOOTCANDLES BASED ON DOWNLIGHT ONLY				MULTIPLE UNITS: PERFORMANCE 80/50/20% REFLECTANCES INITIAL FOOTCANDLES AND WATTS PER SQUARE FOOT							
			Mounting Height AFF	FC at Center on Floor	Beam Diameter	FC at Beam Edge	Ceiling Height	Fixture Spacing	RCR 1		RCR 3			
	0°	0° - 10°	119	3%	8'	19 fc	13.1'	1 fc	18'	9'	53	0.49	30	0.36
	0°	0° - 30°	941	21%	10'	12 fc	16.3'	1 fc	22'	11'	35	0.32	27	0.32
	20°	0° - 60°	2827	63%	12'	9 fc	19.6'	1 fc	26'	13'	23	0.21	17	0.21
	40°	90° - 120°	438	10%	14'	6 fc	22.9'	0 fc	Delivered Illuminance Rating: (DIR)		109 FC per W/Sq. Ft.		83 FC per W/Sq. Ft.	
	60°	90° - 150°	805	18%	16'	5 fc	26.1'	0 fc	3' Suspension Length to luminous aperture Square rooms used for multiple units: RCR 1: Length & Width = Ceiling Ht. - 5.5' x 10.00 RCR 3: Length & Width = Ceiling Ht. - 5.5' x 3.33 * Average Footcandles at 2.5' Above Floor					
	80°	0° - 90°	3691	82%	20'	3 fc	32.7'	0 fc						
	100°	90° - 180°	807	18%	24'	2 fc	39.2'	0 fc						
	120°	180°	2		28'	2 fc	45.7'	0 fc						
	140°	Total	4498	100%										
	160°													
	180°													

Delivered Lumens: 4498  
Luminaire Watts: 39  
LER: 115.33

CP at 0° (Nadir): 1242  
CRI: 83

Beam Angle: 117°  
Spacing Ratio: 1.20

Lumen Multiplier: 15L x 0.27, 27L x 0.46, 37L x 0.68  
CCT Multiplier: 27K x 0.97, 30K x 0.99, 40K x 1.03  
50K x 1.06

PRDDH12GV 55L 35K XX PR12 DR12A PP MW

CANDLEPOWER CURVE TEST SP-00456_33	INTENSITY CANDELA 0° AZIMUTH	ZONAL LUMENS	SINGLE UNIT: PERFORMANCE DIRECT FOOTCANDLES BASED ON DOWNLIGHT ONLY				MULTIPLE UNITS: PERFORMANCE 80/50/20% REFLECTANCES INITIAL FOOTCANDLES AND WATTS PER SQUARE FOOT							
			Mounting Height AFF	FC at Center on Floor	Beam Diameter	FC at Beam Edge	Ceiling Height	Fixture Spacing	RCR 1		RCR 3			
	0°	0° - 10°	395	9%	8'	68 fc	3.7'	25 fc	18'	9'	58	0.49	55	0.56
	0°	0° - 30°	2298	50%	10'	43 fc	4.6'	16 fc	22'	11'	38	0.32	32	0.32
	20°	0° - 60°	3589	78%	12'	30 fc	5.5'	11 fc	26'	13'	28	0.24	20	0.21
	40°	90° - 120°	290	6%	14'	22 fc	6.5'	8 fc	Delivered Illuminance Rating: (DIR)		118 FC per W/Sq. Ft.		98 FC per W/Sq. Ft.	
	60°	90° - 150°	524	11%	16'	17 fc	7.4'	6 fc	3' Suspension Length to luminous aperture Square rooms used for multiple units: RCR 1: Length & Width = Ceiling Ht. - 5.5' x 10.00 RCR 3: Length & Width = Ceiling Ht. - 5.5' x 3.33 * Average Footcandles at 2.5' Above Floor					
	80°	0° - 90°	4052	89%	20'	11 fc	9.2'	4 fc						
	100°	90° - 180°	526	11%	24'	8 fc	11.1'	3 fc						
	120°	180°	3		28'	6 fc	12.9'	2 fc						
	140°	Total	4578	100%										
	160°													
	180°													

Delivered Lumens: 4578  
Luminaire Watts: 39  
LER: 117.38

CP at 0° (Nadir): 4331  
CRI: 83

Beam Angle: 50°  
Spacing Ratio: 0.76

Lumen Multiplier: 15L x 0.27, 27L x 0.46, 37L x 0.68  
CCT Multiplier: 27K x 0.97, 30K x 0.99, 40K x 1.03  
50K x 1.06



# 12" PRISMATIC

## DDH SERIES / PHOTOMETRIC DATA



PRDDH12GV 55L 35K XX PR12 DR12A PC MW

CANDLEPOWER CURVE TEST SP-00456_32		INTENSITY CANDELA 0° AZIMUTH	ZONAL LUMENS		SINGLE UNIT: PERFORMANCE DIRECT FOOTCANDLES BASED ON DOWNLIGHT ONLY				MULTIPLE UNITS: PERFORMANCE 80/50/20% REFLECTANCES INITIAL FOOTCANDLES AND WATTS PER SQUARE FOOT								
		0°	5512	0° - 10°	502	11%	Mounting Height	FC at Center on Floor	Beam Diameter	FC at Beam Edge	Ceiling Height	Fixture Spacing	RCR 1		RCR 3		
		0°	5512	0° - 30°	2880	63%	8'	86 fc	3.9'	31 fc	18'	9"	60	0.49	59	0.56	
		20°	3182	0° - 60°	4122	90%	10'	55 fc	4.8'	20 fc	22'	11'	39	0.32	34	0.32	
		40°	510	90° - 120°	135	3%	12'	38 fc	5.8'	14 fc	26'	13'	29	0.24	22	0.21	
		60°	127	90° - 150°	225	5%	14'	28 fc	6.8'	10 fc	Delivered Illuminance Rating: (DIR) 123 FC per W/Sq. Ft. 105 FC per W/Sq. Ft. 3' Suspension Length to luminous aperture Square rooms used for multiple units: RCR 1: Length & Width = Ceiling Ht. - 5.5' x 10.00 RCR 3: Length & Width = Ceiling Ht. - 5.5' x 3.33 + Average Footcandles at 2.5' Above Floor * Exceeds Spacing Ratio by 4%						
		80°	49	0° - 90°	4333	95%	16'	22 fc	7.7'	8 fc							
		90°	26	90° - 180°	227	5%	20'	14 fc	9.7'	5 fc							
		100°	43	Total	4560	100%	24'	10 fc	11.6'	3 fc							
		120°	56					28'	7 fc	13.5'	3 fc						
		140°	27														
160°	3																
180°	2																

Delivered Lumens: 4560  
Luminaire Watts: 39  
LER: 116.92

CP at 0° (Nadir): 5512  
CRI: 83

Beam Angle: 52°  
Spacing Ratio: 0.69

Lumen Multiplier: 15L x 0.27, 27L x 0.46, 37L x 0.68  
CCT Multiplier: 27K x 0.97, 30K x 0.99, 40K x 1.03  
50K x 1.06

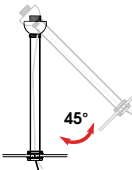
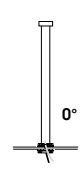
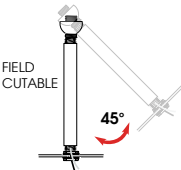
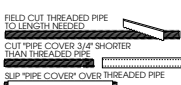

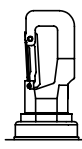


# MOUNTING & ACCESSORIES

SOME OPTIONS NOT AVAILABLE ON ALL FIXTURES, CONSULT SPECIFICATION SHEETS. SEE INDIVIDUAL SPECIFICATION SHEETS OR CONSULT FACTORY FOR ADDITIONAL INFORMATION. NOTE: THIS IS TYPICAL OF LUMEN MAX SPECIFICATION FOR PENDANT MOUNTING. INDIVIDUAL FIXTURES OR PROJECTS MAY HAVE SPECIALIZED REQUIREMENTS.



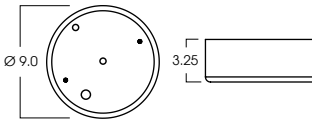
## MOUNTING TYPES

<p><b>HM*</b> HANG STRAIGHT 45° SWIVEL 5/8" OD STEM - 3/8" IP</p>  <p>ORDER: <b>HM</b> (Length) SPECIFY LENGTH: <b>HM3</b> - 3"    <b>HM24</b> - 24" <b>HM6</b> - 6"    <b>HM36</b> - 36" <b>HM12</b> - 12"   <b>HM48</b> - 48" <b>HM18</b> - 18"   <b>HM72</b> - 72" <b>HMLC(XX)</b> Custom Length (Specify in Inches)</p>	<p><b>PM*</b> RIGID PENDANT MOUNT RIGID 5/8" OD STEM - 3/8" IP</p>  <p>ORDER: <b>PM</b> (Length) SPECIFY LENGTH: <b>PM3</b> - 3"    <b>PM24</b> - 24" <b>PM6</b> - 6"    <b>PM36</b> - 36" <b>PM12</b> - 12"   <b>PM48</b> - 48" <b>PM18</b> - 18"   <b>PM72</b> - 72" <b>PMLC(XX)</b> Custom Length (Specify in Inches)</p>	<p><b>AT**</b> HANG STRAIGHT ALL THREAD 45° SWIVEL 5/8" OD STEM - 1/4" IP</p>  <p>ORDER: <b>AT</b> (Length) SPECIFY LENGTH: <b>AT12</b> - 12" <b>AT24</b> - 24" <b>AT36</b> - 36"</p> 	<p><b>CD</b> CORD / CABLE MOUNT SJ CORD WITH 1/16 SS CABLE</p>  <p>ORDER: <b>CD</b> (Length) SPECIFY LENGTH: <b>CD36</b> - 36" <b>CD72</b> - 72" <b>CD144</b> - 144" <b>CDLC(XX)</b> Custom Length (Specify in Inches)</p>	<p><b>HC</b> HOOK &amp; CORD FOR INDEPENDENT MOUNTING</p>  <p>ORDER: <b>HC</b></p>
--	---	--	---	---

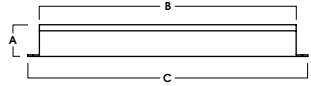
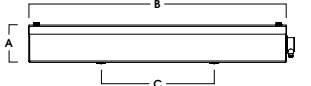
\*MAXIMUM ONE PIECE STEM LENGTH IS 72". \*\*MAXIMUM ONE PIECE STEM LENGTH IS 36". LONGER LENGTHS ARE POSSIBLE USING MULTIPLE STEMS AND COUPLERS.

## EMERGENCY BATTERY OPTIONS

**EMCR** - LARGE DRIVER CANOPY FOR 10W EMERGENCY BATTERY



## REMOTE EMERGENCY BATTERY OPTIONS

<p><b>EMRM*</b> - 7W REMOTE EMERGENCY BATTERY (50" MAX)</p>  <table border="1"> <thead> <tr> <th>A</th> <th>B</th> <th>C</th> </tr> </thead> <tbody> <tr> <td>1.3</td> <td>12.6</td> <td>13.0</td> </tr> </tbody> </table>	A	B	C	1.3	12.6	13.0	<p><b>EMEN*</b> - 7W REMOTE EMERGENCY BATTERY WITH ENCLOSURE (50" MAX)</p>  <table border="1"> <thead> <tr> <th>A</th> <th>B</th> <th>C</th> </tr> </thead> <tbody> <tr> <td>2.0</td> <td>17.0</td> <td>6.2</td> </tr> </tbody> </table>	A	B	C	2.0	17.0	6.2
A	B	C											
1.3	12.6	13.0											
A	B	C											
2.0	17.0	6.2											

\*OTHER EM BATTERY SIZES AVAILABLE, CONSULT FACTORY

## ADDITIONS


**FS** - FUSING

Slow blow type fuse protects fixture against voltage surges. Factory installed.



**LSP10 - SM** - SURGE PROTECTOR

Surge protector absorbs transient electrical spikes and protects fixtures and electronics 120/277v. Re-sets after surge. Factory Installed.



## SAFETY CABLE OPTIONS

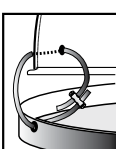
**SC1** - SAFETY CABLE

1/16" stainless steel safety cable for added support. Standard kit is 18" and double barrel locks are provided. Approved for California seismic requirements. Rated at 50 lbs.



**SC2** - SAFETY CABLE

1/16" Stainless steel cable holds door to fixture




# COLOR OPTIONS - POWDER COAT PAINT FINISHES

NOTE: NO PRINTED IMAGE CAN EQUAL THE EXACT COLOR OF FINISH ON METAL.  
SEE INDIVIDUAL SPECIFICATION SHEETS OR CONSULT FACTORY FOR ADDITIONAL INFORMATION.



## STANDARD CORD / STEM / CANOPY FINISHES

FIXTURE COLOR	STANDARD CORD COLOR	STANDARD CANOPY / STEM COLOR
Matte White, Textured White	Matte White	Matte White
Gloss White	Matte White	Gloss White
Matte Black, Gloss Black, Textured Black	Matte Black	Matte Black
All Others	Matte Black	Same Color as Fixture
Custom Color	Contact Factory	Contact Factory

## PAINT TIMES

TIER	COST	AVERAGE PAINT TIME*
Tier 1 - Standard Finishes	\$	⌚
Tier 2 - Typical Finishes	\$\$	⌚⌚
Custom Color	Contact Factory	Contact Factory

\*CONTACT FACTORY FOR SPECIFIC PRODUCT LEAD TIMES

## TIER 1 - STANDARD FINISHES



## TIER 2 - TYPICAL FINISHES



## CUSTOM COLOR FINISHES

CONTACT FACTORY

**CC**  
Custom Color



\*UNAVAILABLE FOR WET LOCATION

