



1MR SHOWN

# 16" PRISMATIC TECH SERIES



## PRX16GV

### APPLICATION

Lumen Max GV series performance pendant for low and mid-bay applications. Prismatic refractor provides horizontal and vertical distribution. Decorative support arms and lower parts add visual appeal.

### FEATURES

Extruded Fixture Housing (EXT) features a clean and modern design. Single-stage optical system for smooth light distribution. 80 CRI minimum. Consult factory for high CRI or special applications. LED module and driver designed for ease of maintenance and replacement. Posi-lock refractor retention ring will absorb shocks and impact. Optional safety cable. Variety of optical lenses and mounting methods.

### FINISH

Multi-stage polyester powder-coat process applied on our dedicated paint lines. A wide variety of standard and custom finishes are available. All exposed materials are chromate pretreated to resist corrosion.

### ELECTRONICS

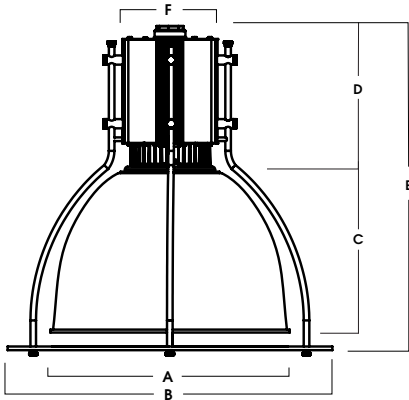
GV LED system features high brightness white Samsung LED's. 3-step MacAdam Ellipse binning. Standard CRI: 80+. Higher CRI, R9 and custom LED configurations are available, consult factory.

### CONSTRUCTION

Extruded and machined 6063-T5 aluminum housing. Graphite gasket for optimal thermal management. Die-cast aluminum heat sink. Refractor made of cast UV stabilized acrylic. Arms are chrome plated, formed steel tubing. 1MR option is spun aluminum.

### CODE COMPLIANCE

BAA compliant. ETL certified to meet US and Canadian standards. Suitable for dry or damp locations. Manufactured and tested to UL standards No. 1598/8750.



A	B	C	D	E	F
16.2	22.0	12.4	9.5	22.0	6.5
411.5 mm	558.8 mm	315.0 mm	241.3 mm	558.8 mm	165.1 mm

Fixture Weight: 18.26 lbs

LUMENS / WATTAGE DATA				
PART NUMBER	SOURCE LUMENS <sup>1</sup>	DELIVERED LUMENS <sup>2</sup>	SYSTEM WATTS	LPW
PRX16GV15L	1500	1283	10	128.0
PRX16GV27L	2700	2240	18	124.0
PRX16GV37L	3700	3285	26	126.0
PRX16GV55L	5500	4839	39	124.0

SERIES	LUMENS <sup>1</sup>	CCT	DRIVER / DIMMING <sup>3</sup>	OPTIONS <sup>4</sup>	MOUNTING <sup>5</sup>	REFRACTOR	TIER OPTIONS	FINISH <sup>12</sup>
PRX16GV	15L 1500 Lm	27K 2700K	EX Electronic Driver, 120V/277V	FS Fusing	HM <sup>6</sup> Hang Straight AT <sup>6</sup> Hang Straight All Thread PM <sup>6</sup> Rigid Pendant CD <sup>6</sup> Cord / Cable Mount HC <sup>6/7/8</sup> Hook & Cord NM2 <sup>7/8/9</sup> 1/2" NPT Hub NM3 <sup>7/8/9</sup> 3/4" NPT Hub	DF16 16" Diffuse PR16 16" Clear OP16 16" Opal	CFG Center Frosted Glass Tier FGR Frosted Glass Ring 1MR <sup>10</sup> Single Metal Ring	MW <sup>13</sup> Matte White MB <sup>13</sup> Matte Black PT <sup>13</sup> Platinum Silver CC Custom Color
	27L 2700 Lm	30K 3000K						
	37L 3700 Lm	35K 3500K	DO10X 1% 0-10V, 120V/277V	SC1 Safety Cable				
	55L 5500 Lm	40K 4000K 50K 5000K						
						EMERGENCY BATTERY OPTIONS		
						EMCR 10W Canopy Mounted EM	TIER COLOR OPTIONS FC <sup>11</sup> Fixture Color MW Matte White MB Matte Black PT Platinum Silver SN Sun Gold EG Evergreen RD Red Baron	See Page 5 for Full Range of Color Options (83-90081)
						EMRM 7W Remote EM		
						EMEN 7W Remote with Enclosure		

**EXAMPLE:** PRX16GV15L27KEX/HM36/PR16/FGR/MW

**NOTES:**  
 1 Nominal Source Lumens at 35K 2 Nominal Delivered Lumens at 35K with PR16-FGR 3 Contact Factory for Additional Options 4 See Product Options Page for Details 5 See Mounting Page for Details on Components and Finishes  
 6 Specify Length in Inches: See Mounting Page for Available Lengths 7 Mounting Supplied by Others 8 Not Available with EMCR 9 12" Leads Unless Specified 10 Same Finish as Housing 11 Tier to Match Fixture if Finish Not Specified  
 12 See Color Page for More Options / Consult Factory for Special Finishes 13 Standard Finishes



PROJECT: \_\_\_\_\_  
 QUANTITY: \_\_\_\_\_ TYPE: \_\_\_\_\_



# 16" PRISMATIC

## TECH SERIES / FIXTURE OPTIONS



### STANDARD FINISHES

**MW**  
MATTE WHITE



**MB**  
MATTE BLACK



**PT**  
PLATINUM SILVER



### DECO-TIER OPTIONS

**1MR**  
SINGLE METAL RING



**CFG**  
CENTERED FROSTED GLASS

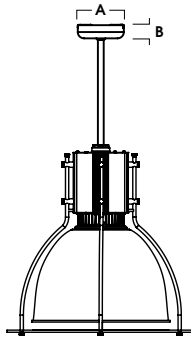


**FGR**  
FROSTED GLASS RING



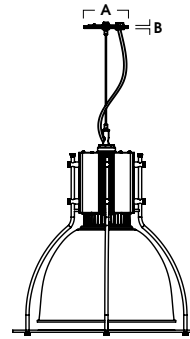
### MOUNTING TYPES

**HM / AT / PM**  
HANG STRAIGHT / ALL THREAD / PENDANT



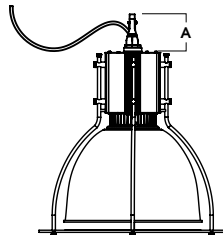
A	B
5.4	2.5
137.2 mm	63.5 mm

**CD**  
CORD / CABLE MOUNT



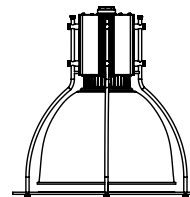
A	B
5.0	.25
127.0 mm	6.4 mm

**HC**  
HOOK CORD



A
4.2
106.7 mm

**NM**  
NO MOUNT



# 16" PRISMATIC

## TECH SERIES / PHOTOMETRIC DATA



### PRX16GV-55L-35K-EX-PR16-CFG

CANDLEPOWER CURVE	INTENSITY	ZONAL LUMENS	SINGLE UNIT: PERFORMANCE INITIAL FOOTCANDLES BASED ON IES BEAM ANGLE	MULTIPLE UNITS: PERFORMANCE 80/50/20% REFLECTANCES INITIAL FOOTCANDLES AND WATTS PER SQUARE FOOT																																									
	0.00°	0° - 10°	301	8%	<table border="1"> <thead> <tr> <th rowspan="2">Ceiling Height</th> <th rowspan="2">Fixture Spacing</th> <th colspan="2">RCR 1</th> <th colspan="2">RCR 3</th> </tr> <tr> <th>FC *</th> <th>W/Sq. Ft.</th> <th>FC *</th> <th>W/Sq. Ft.</th> </tr> </thead> <tbody> <tr> <td>17'</td> <td>12' *</td> <td>31</td> <td>0.29</td> <td>21</td> <td>0.24</td> </tr> <tr> <td>21'</td> <td>14' **</td> <td>21</td> <td>0.20</td> <td>20</td> <td>0.23</td> </tr> <tr> <td>25'</td> <td>16' ***</td> <td>16</td> <td>0.15</td> <td>13</td> <td>0.15</td> </tr> <tr> <td colspan="2">Delivered Illuminance Rating: (DIR)</td> <td colspan="2">105 FC per W/Sq. Ft.</td> <td colspan="2">86 FC per W/Sq. Ft.</td> </tr> <tr> <td colspan="6">3' Suspension Length Square rooms used for multiple units: - RCR 1: Length &amp; Width = Ceiling Ht. - 5.5' x 10.00 - RCR 3: Length &amp; Width = Ceiling Ht. - 5.5' x 3.33 * Average Footcandles at 2.5' Above Floor * Exceeds spacing criteria by 11% ** Exceeds spacing criteria by -4% *** Exceeds spacing criteria by -13%</td> </tr> </tbody> </table>	Ceiling Height	Fixture Spacing	RCR 1		RCR 3		FC *	W/Sq. Ft.	FC *	W/Sq. Ft.	17'	12' *	31	0.29	21	0.24	21'	14' **	21	0.20	20	0.23	25'	16' ***	16	0.15	13	0.15	Delivered Illuminance Rating: (DIR)		105 FC per W/Sq. Ft.		86 FC per W/Sq. Ft.		3' Suspension Length Square rooms used for multiple units: - RCR 1: Length & Width = Ceiling Ht. - 5.5' x 10.00 - RCR 3: Length & Width = Ceiling Ht. - 5.5' x 3.33 * Average Footcandles at 2.5' Above Floor * Exceeds spacing criteria by 11% ** Exceeds spacing criteria by -4% *** Exceeds spacing criteria by -13%					
	Ceiling Height	Fixture Spacing	RCR 1					RCR 3																																					
			FC *	W/Sq. Ft.		FC *	W/Sq. Ft.																																						
	17'	12' *	31	0.29		21	0.24																																						
	21'	14' **	21	0.20		20	0.23																																						
	25'	16' ***	16	0.15		13	0.15																																						
	Delivered Illuminance Rating: (DIR)		105 FC per W/Sq. Ft.			86 FC per W/Sq. Ft.																																							
	3' Suspension Length Square rooms used for multiple units: - RCR 1: Length & Width = Ceiling Ht. - 5.5' x 10.00 - RCR 3: Length & Width = Ceiling Ht. - 5.5' x 3.33 * Average Footcandles at 2.5' Above Floor * Exceeds spacing criteria by 11% ** Exceeds spacing criteria by -4% *** Exceeds spacing criteria by -13%																																												
	0.00°	0.00°	2,714	0° - 10°		301	8%	<table border="1"> <thead> <tr> <th rowspan="2">Mounting Height AFF</th> <th rowspan="2">FC at Center on Floor</th> <th rowspan="2">Beam Diameter</th> <th rowspan="2">FC at Beam Edge</th> </tr> </thead> <tbody> <tr> <td>8.0'</td> <td>42 fc</td> <td>10.5'</td> <td>21 fc</td> </tr> <tr> <td>10.0'</td> <td>27 fc</td> <td>13.2'</td> <td>13 fc</td> </tr> <tr> <td>12.0'</td> <td>19 fc</td> <td>15.8'</td> <td>9 fc</td> </tr> <tr> <td>14.0'</td> <td>14 fc</td> <td>18.4'</td> <td>7 fc</td> </tr> <tr> <td>16.0'</td> <td>11 fc</td> <td>21.1'</td> <td>5 fc</td> </tr> <tr> <td>20.0'</td> <td>7 fc</td> <td>26.3'</td> <td>3 fc</td> </tr> <tr> <td>24.0'</td> <td>5 fc</td> <td>31.6'</td> <td>2 fc</td> </tr> <tr> <td>28.0'</td> <td>3 fc</td> <td>36.9'</td> <td>2 fc</td> </tr> </tbody> </table>	Mounting Height AFF	FC at Center on Floor	Beam Diameter	FC at Beam Edge	8.0'	42 fc	10.5'	21 fc	10.0'	27 fc	13.2'	13 fc	12.0'	19 fc	15.8'	9 fc	14.0'	14 fc	18.4'	7 fc	16.0'	11 fc	21.1'	5 fc	20.0'	7 fc	26.3'	3 fc	24.0'	5 fc	31.6'	2 fc	28.0'	3 fc	36.9'	2 fc	
	Mounting Height AFF	FC at Center on Floor	Beam Diameter	FC at Beam Edge																																									
						8.0'	42 fc		10.5'	21 fc																																			
	10.0'	27 fc	13.2'	13 fc																																									
12.0'	19 fc	15.8'	9 fc																																										
14.0'	14 fc	18.4'	7 fc																																										
16.0'	11 fc	21.1'	5 fc																																										
20.0'	7 fc	26.3'	3 fc																																										
24.0'	5 fc	31.6'	2 fc																																										
28.0'	3 fc	36.9'	2 fc																																										
5.00°	5.00°	2,711	0° - 20°	960	24%	Beam Angle: 66.43 Spacing Ratio: 0.94																																							
10.00°	10.00°	2,570	0° - 30°	1,814	46%	Lamp Multiplier: 15L x 0.28, 27L x 0.48, 37L x 0.71 CCT Multiplier: 50K x 1.06, 40K x 1.03, 30K x 0.985, 27K x 0.971																																							
15.00°	15.00°	2,378	0° - 40°	2,591	65%																																								
20.00°	20.00°	2,131	0° - 60°	3,484	88%																																								
30.00°	30.00°	1,571	0° - 80°	3,813	96%																																								
40.00°	40.00°	944	0° - 90°	3,871	98%																																								
50.00°	50.00°	512	Total	3,966	100%																																								
60.00°	60.00°	293																																											
70.00°	70.00°	154																																											
80.00°	80.00°	71																																											
90.00°	90.00°	20																																											

Delivered Lumens: 3,966  
Luminaire Watts: 39  
LER: 101.69

CP at 0deg (Nadir): 2,714  
CRI: 80+

Beam Angle: 66.43  
Spacing Ratio: 0.94

Lamp Multiplier: 15L x 0.28, 27L x 0.48, 37L x 0.71  
CCT Multiplier: 50K x 1.06, 40K x 1.03, 30K x 0.985, 27K x 0.971

### PRX16GV-55L-35K-EX-PR16-FGR

CANDLEPOWER CURVE	INTENSITY	ZONAL LUMENS	SINGLE UNIT: PERFORMANCE INITIAL FOOTCANDLES BASED ON IES BEAM ANGLE	MULTIPLE UNITS: PERFORMANCE 80/50/20% REFLECTANCES INITIAL FOOTCANDLES AND WATTS PER SQUARE FOOT																																									
	0.00°	0° - 10°	460	9%	<table border="1"> <thead> <tr> <th rowspan="2">Ceiling Height</th> <th rowspan="2">Fixture Spacing</th> <th colspan="2">RCR 1</th> <th colspan="2">RCR 3</th> </tr> <tr> <th>FC *</th> <th>W/Sq. Ft.</th> <th>FC *</th> <th>W/Sq. Ft.</th> </tr> </thead> <tbody> <tr> <td>17'</td> <td>12' *</td> <td>39</td> <td>0.29</td> <td>26</td> <td>0.24</td> </tr> <tr> <td>21'</td> <td>14' **</td> <td>26</td> <td>0.20</td> <td>26</td> <td>0.23</td> </tr> <tr> <td>25'</td> <td>16' ***</td> <td>19</td> <td>0.15</td> <td>16</td> <td>0.15</td> </tr> <tr> <td colspan="2">Delivered Illuminance Rating: (DIR)</td> <td colspan="2">131 FC per W/Sq. Ft.</td> <td colspan="2">110 FC per W/Sq. Ft.</td> </tr> <tr> <td colspan="6">3' Suspension Length Square rooms used for multiple units: - RCR 1: Length &amp; Width = Ceiling Ht. - 5.5' x 10.00 - RCR 3: Length &amp; Width = Ceiling Ht. - 5.5' x 3.33 * Average Footcandles at 2.5' Above Floor * Exceeds spacing criteria by 15% ** Exceeds spacing criteria by -1% *** Exceeds spacing criteria by -10%</td> </tr> </tbody> </table>	Ceiling Height	Fixture Spacing	RCR 1		RCR 3		FC *	W/Sq. Ft.	FC *	W/Sq. Ft.	17'	12' *	39	0.29	26	0.24	21'	14' **	26	0.20	26	0.23	25'	16' ***	19	0.15	16	0.15	Delivered Illuminance Rating: (DIR)		131 FC per W/Sq. Ft.		110 FC per W/Sq. Ft.		3' Suspension Length Square rooms used for multiple units: - RCR 1: Length & Width = Ceiling Ht. - 5.5' x 10.00 - RCR 3: Length & Width = Ceiling Ht. - 5.5' x 3.33 * Average Footcandles at 2.5' Above Floor * Exceeds spacing criteria by 15% ** Exceeds spacing criteria by -1% *** Exceeds spacing criteria by -10%					
	Ceiling Height	Fixture Spacing	RCR 1					RCR 3																																					
			FC *	W/Sq. Ft.		FC *	W/Sq. Ft.																																						
	17'	12' *	39	0.29		26	0.24																																						
	21'	14' **	26	0.20		26	0.23																																						
	25'	16' ***	19	0.15		16	0.15																																						
	Delivered Illuminance Rating: (DIR)		131 FC per W/Sq. Ft.			110 FC per W/Sq. Ft.																																							
	3' Suspension Length Square rooms used for multiple units: - RCR 1: Length & Width = Ceiling Ht. - 5.5' x 10.00 - RCR 3: Length & Width = Ceiling Ht. - 5.5' x 3.33 * Average Footcandles at 2.5' Above Floor * Exceeds spacing criteria by 15% ** Exceeds spacing criteria by -1% *** Exceeds spacing criteria by -10%																																												
	0.00°	0.00°	4,324	0° - 10°		460	9%	<table border="1"> <thead> <tr> <th rowspan="2">Mounting Height AFF</th> <th rowspan="2">FC at Center on Floor</th> <th rowspan="2">Beam Diameter</th> <th rowspan="2">FC at Beam Edge</th> </tr> </thead> <tbody> <tr> <td>8.0'</td> <td>68 fc</td> <td>9.8'</td> <td>33 fc</td> </tr> <tr> <td>10.0'</td> <td>43 fc</td> <td>12.2'</td> <td>21 fc</td> </tr> <tr> <td>12.0'</td> <td>30 fc</td> <td>14.7'</td> <td>15 fc</td> </tr> <tr> <td>14.0'</td> <td>22 fc</td> <td>17.1'</td> <td>11 fc</td> </tr> <tr> <td>16.0'</td> <td>17 fc</td> <td>19.6'</td> <td>8 fc</td> </tr> <tr> <td>20.0'</td> <td>11 fc</td> <td>24.5'</td> <td>5 fc</td> </tr> <tr> <td>24.0'</td> <td>8 fc</td> <td>29.4'</td> <td>4 fc</td> </tr> <tr> <td>28.0'</td> <td>6 fc</td> <td>34.3'</td> <td>3 fc</td> </tr> </tbody> </table>	Mounting Height AFF	FC at Center on Floor	Beam Diameter	FC at Beam Edge	8.0'	68 fc	9.8'	33 fc	10.0'	43 fc	12.2'	21 fc	12.0'	30 fc	14.7'	15 fc	14.0'	22 fc	17.1'	11 fc	16.0'	17 fc	19.6'	8 fc	20.0'	11 fc	24.5'	5 fc	24.0'	8 fc	29.4'	4 fc	28.0'	6 fc	34.3'	3 fc	
	Mounting Height AFF	FC at Center on Floor	Beam Diameter	FC at Beam Edge																																									
						8.0'	68 fc		9.8'	33 fc																																			
	10.0'	43 fc	12.2'	21 fc																																									
12.0'	30 fc	14.7'	15 fc																																										
14.0'	22 fc	17.1'	11 fc																																										
16.0'	17 fc	19.6'	8 fc																																										
20.0'	11 fc	24.5'	5 fc																																										
24.0'	8 fc	29.4'	4 fc																																										
28.0'	6 fc	34.3'	3 fc																																										
5.00°	5.00°	4,152	0° - 20°	1,424	29%	Beam Angle: 63.04 Spacing Ratio: 0.91																																							
10.00°	10.00°	3,807	0° - 30°	2,708	56%	Lamp Multiplier: 15L x 0.28, 27L x 0.48, 37L x 0.71 CCT Multiplier: 50K x 1.06, 40K x 1.03, 30K x 0.985, 27K x 0.971																																							
15.00°	15.00°	3,442	0° - 40°	3,670	75%																																								
20.00°	20.00°	3,101	0° - 60°	4,402	90%																																								
30.00°	30.00°	2,417	0° - 80°	4,748	97%																																								
40.00°	40.00°	796	0° - 90°	4,812	99%																																								
50.00°	50.00°	412	Total	4,874	100%																																								
60.00°	60.00°	275																																											
70.00°	70.00°	167																																											
80.00°	80.00°	83																																											
90.00°	90.00°	15																																											

Delivered Lumens: 4,874  
Luminaire Watts: 39  
LER: 124.97

CP at 0deg (Nadir): 4,324  
CRI: 80+

Beam Angle: 63.04  
Spacing Ratio: 0.91

Lamp Multiplier: 15L x 0.28, 27L x 0.48, 37L x 0.71  
CCT Multiplier: 50K x 1.06, 40K x 1.03, 30K x 0.985, 27K x 0.971

### PRX16GV-55L-35K-EX-PR16-1MR

CANDLEPOWER CURVE	INTENSITY	ZONAL LUMENS	SINGLE UNIT: PERFORMANCE INITIAL FOOTCANDLES BASED ON IES BEAM ANGLE	MULTIPLE UNITS: PERFORMANCE 80/50/20% REFLECTANCES INITIAL FOOTCANDLES AND WATTS PER SQUARE FOOT																																									
	0.00°	0° - 10°	459	10%	<table border="1"> <thead> <tr> <th rowspan="2">Ceiling Height</th> <th rowspan="2">Fixture Spacing</th> <th colspan="2">RCR 1</th> <th colspan="2">RCR 3</th> </tr> <tr> <th>FC *</th> <th>W/Sq. Ft.</th> <th>FC *</th> <th>W/Sq. Ft.</th> </tr> </thead> <tbody> <tr> <td>17'</td> <td>12' *</td> <td>38</td> <td>0.29</td> <td>26</td> <td>0.24</td> </tr> <tr> <td>21'</td> <td>14' **</td> <td>25</td> <td>0.20</td> <td>25</td> <td>0.23</td> </tr> <tr> <td>25'</td> <td>16' ***</td> <td>19</td> <td>0.15</td> <td>16</td> <td>0.15</td> </tr> <tr> <td colspan="2">Delivered Illuminance Rating: (DIR)</td> <td colspan="2">130 FC per W/Sq. Ft.</td> <td colspan="2">109 FC per W/Sq. Ft.</td> </tr> <tr> <td colspan="6">3' Suspension Length Square rooms used for multiple units: - RCR 1: Length &amp; Width = Ceiling Ht. - 5.5' x 10.00 - RCR 3: Length &amp; Width = Ceiling Ht. - 5.5' x 3.33 * Average Footcandles at 2.5' Above Floor * Exceeds spacing criteria by 16% ** Exceeds spacing criteria by 0% *** Exceeds spacing criteria by -9%</td> </tr> </tbody> </table>	Ceiling Height	Fixture Spacing	RCR 1		RCR 3		FC *	W/Sq. Ft.	FC *	W/Sq. Ft.	17'	12' *	38	0.29	26	0.24	21'	14' **	25	0.20	25	0.23	25'	16' ***	19	0.15	16	0.15	Delivered Illuminance Rating: (DIR)		130 FC per W/Sq. Ft.		109 FC per W/Sq. Ft.		3' Suspension Length Square rooms used for multiple units: - RCR 1: Length & Width = Ceiling Ht. - 5.5' x 10.00 - RCR 3: Length & Width = Ceiling Ht. - 5.5' x 3.33 * Average Footcandles at 2.5' Above Floor * Exceeds spacing criteria by 16% ** Exceeds spacing criteria by 0% *** Exceeds spacing criteria by -9%					
	Ceiling Height	Fixture Spacing	RCR 1					RCR 3																																					
			FC *	W/Sq. Ft.		FC *	W/Sq. Ft.																																						
	17'	12' *	38	0.29		26	0.24																																						
	21'	14' **	25	0.20		25	0.23																																						
	25'	16' ***	19	0.15		16	0.15																																						
	Delivered Illuminance Rating: (DIR)		130 FC per W/Sq. Ft.			109 FC per W/Sq. Ft.																																							
	3' Suspension Length Square rooms used for multiple units: - RCR 1: Length & Width = Ceiling Ht. - 5.5' x 10.00 - RCR 3: Length & Width = Ceiling Ht. - 5.5' x 3.33 * Average Footcandles at 2.5' Above Floor * Exceeds spacing criteria by 16% ** Exceeds spacing criteria by 0% *** Exceeds spacing criteria by -9%																																												
	0.00°	0.00°	4,312	0° - 10°		459	10%	<table border="1"> <thead> <tr> <th rowspan="2">Mounting Height AFF</th> <th rowspan="2">FC at Center on Floor</th> <th rowspan="2">Beam Diameter</th> <th rowspan="2">FC at Beam Edge</th> </tr> </thead> <tbody> <tr> <td>8.0'</td> <td>67 fc</td> <td>9.8'</td> <td>33 fc</td> </tr> <tr> <td>10.0'</td> <td>43 fc</td> <td>12.2'</td> <td>21 fc</td> </tr> <tr> <td>12.0'</td> <td>30 fc</td> <td>14.7'</td> <td>15 fc</td> </tr> <tr> <td>14.0'</td> <td>22 fc</td> <td>17.1'</td> <td>11 fc</td> </tr> <tr> <td>16.0'</td> <td>17 fc</td> <td>19.5'</td> <td>8 fc</td> </tr> <tr> <td>20.0'</td> <td>11 fc</td> <td>24.4'</td> <td>5 fc</td> </tr> <tr> <td>24.0'</td> <td>7 fc</td> <td>29.3'</td> <td>4 fc</td> </tr> <tr> <td>28.0'</td> <td>6 fc</td> <td>34.2'</td> <td>3 fc</td> </tr> </tbody> </table>	Mounting Height AFF	FC at Center on Floor	Beam Diameter	FC at Beam Edge	8.0'	67 fc	9.8'	33 fc	10.0'	43 fc	12.2'	21 fc	12.0'	30 fc	14.7'	15 fc	14.0'	22 fc	17.1'	11 fc	16.0'	17 fc	19.5'	8 fc	20.0'	11 fc	24.4'	5 fc	24.0'	7 fc	29.3'	4 fc	28.0'	6 fc	34.2'	3 fc	
	Mounting Height AFF	FC at Center on Floor	Beam Diameter	FC at Beam Edge																																									
						8.0'	67 fc		9.8'	33 fc																																			
	10.0'	43 fc	12.2'	21 fc																																									
12.0'	30 fc	14.7'	15 fc																																										
14.0'	22 fc	17.1'	11 fc																																										
16.0'	17 fc	19.5'	8 fc																																										
20.0'	11 fc	24.4'	5 fc																																										
24.0'	7 fc	29.3'	4 fc																																										
28.0'	6 fc	34.2'	3 fc																																										
5.00°	5.00°	4,107	0° - 20°	1,421	29%	Beam Angle: 62.92 Spacing Ratio: 0.9																																							
10.00°	10.00°	3,832	0° - 30°	2,696	56%	Lamp Multiplier: 15L x 0.28, 27L x 0.48, 37L x 0.71 CCT Multiplier: 50K x 1.06, 40K x 1.03, 30K x 0.985, 27K x 0.971																																							
15.00°	15.00°	3,411	0° - 40°	3,643	75%																																								
20.00°	20.00°	3,095	0° - 60°	4,341	90%																																								
30.00°	30.00°	2,406	0° - 80°	4,675	97%																																								
40.00°	40.00°	771	0° - 90°	4,718	98%																																								
50.00°	50.00°	392	Total	4,832	100%																																								
60.00°	60.00°	262																																											
70.00°	70.00°	164																																											
80.00°	80.00°	80																																											
90.00°	90.00°	1																																											

Delivered Lumens: 4,832  
Luminaire Watts: 39  
LER: 123.90

CP at 0deg (Nadir): 4,312  
CRI: 80+

Beam Angle: 62.92  
Spacing Ratio: 0.9

Lamp Multiplier: 15L x 0.28, 27L x 0.48, 37L x 0.71  
CCT Multiplier: 50K x 1.06, 40K x 1.03, 30K x 0.985, 27K x 0.971

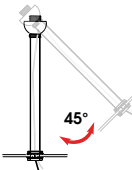
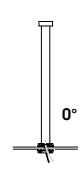
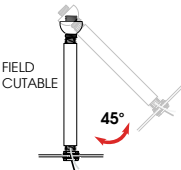
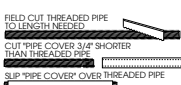

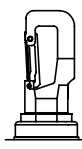
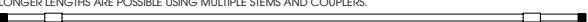


# MOUNTING & ACCESSORIES

SOME OPTIONS NOT AVAILABLE ON ALL FIXTURES, CONSULT SPECIFICATION SHEETS. SEE INDIVIDUAL SPECIFICATION SHEETS OR CONSULT FACTORY FOR ADDITIONAL INFORMATION. NOTE: THIS IS TYPICAL OF LUMEN MAX SPECIFICATION FOR PENDANT MOUNTING. INDIVIDUAL FIXTURES OR PROJECTS MAY HAVE SPECIALIZED REQUIREMENTS.

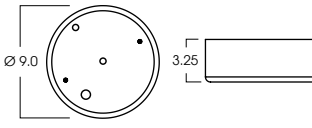


## MOUNTING TYPES

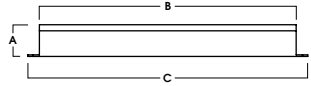
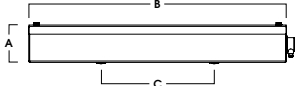
<p><b>HM*</b> HANG STRAIGHT 45° SWIVEL 5/8" OD STEM - 3/8" IP</p>  <p>ORDER: <b>HM</b> (Length) SPECIFY LENGTH: <b>HM3</b> - 3"    <b>HM24</b> - 24" <b>HM6</b> - 6"    <b>HM36</b> - 36" <b>HM12</b> - 12"   <b>HM48</b> - 48" <b>HM18</b> - 18"   <b>HM72</b> - 72" <b>HMLC(XX)</b> Custom Length (Specify in Inches)</p>	<p><b>PM*</b> RIGID PENDANT MOUNT RIGID 5/8" OD STEM - 3/8" IP</p>  <p>ORDER: <b>PM</b> (Length) SPECIFY LENGTH: <b>PM3</b> - 3"    <b>PM24</b> - 24" <b>PM6</b> - 6"    <b>PM36</b> - 36" <b>PM12</b> - 12"   <b>PM48</b> - 48" <b>PM18</b> - 18"   <b>PM72</b> - 72" <b>PMLC(XX)</b> Custom Length (Specify in Inches)</p>	<p><b>AT**</b> HANG STRAIGHT ALL THREAD 45° SWIVEL 5/8" OD STEM - 1/4" IP</p>  <p>ORDER: <b>AT</b> (Length) SPECIFY LENGTH: <b>AT12</b> - 12" <b>AT24</b> - 24" <b>AT36</b> - 36"</p> 	<p><b>CD</b> CORD / CABLE MOUNT SJ CORD WITH 1/16 SS CABLE</p>  <p>ORDER: <b>CD</b> (Length) SPECIFY LENGTH: <b>CD36</b> - 36" <b>CD72</b> - 72" <b>CD144</b> - 144" <b>CDLC(XX)</b> Custom Length (Specify in Inches)</p>	<p><b>HC</b> HOOK &amp; CORD FOR INDEPENDENT MOUNTING</p>  <p>ORDER: <b>HC</b></p>
<p>*MAXIMUM ONE PIECE STEM LENGTH IS 72". **MAXIMUM ONE PIECE STEM LENGTH IS 36". LONGER LENGTHS ARE POSSIBLE USING MULTIPLE STEMS AND COUPLERS.</p> 				

## EMERGENCY BATTERY OPTIONS

**EMCR** - LARGE DRIVER CANOPY FOR 10W EMERGENCY BATTERY



## REMOTE EMERGENCY BATTERY OPTIONS

<p><b>EMRM*</b> - 7W REMOTE EMERGENCY BATTERY (50' MAX)</p>  <table border="1" data-bbox="568 1197 763 1239"> <thead> <tr> <th>A</th> <th>B</th> <th>C</th> </tr> </thead> <tbody> <tr> <td>1.3</td> <td>12.6</td> <td>13.0</td> </tr> </tbody> </table>	A	B	C	1.3	12.6	13.0	<p><b>EMEN*</b> - 7W REMOTE EMERGENCY BATTERY WITH ENCLOSURE (50' MAX)</p>  <table border="1" data-bbox="925 1197 1120 1239"> <thead> <tr> <th>A</th> <th>B</th> <th>C</th> </tr> </thead> <tbody> <tr> <td>2.0</td> <td>17.0</td> <td>6.2</td> </tr> </tbody> </table>	A	B	C	2.0	17.0	6.2
A	B	C											
1.3	12.6	13.0											
A	B	C											
2.0	17.0	6.2											

\*OTHER EM BATTERY SIZES AVAILABLE, CONSULT FACTORY

## ADDITIONS


**FS** - FUSING

Slow blow type fuse protects fixture against voltage surges. Factory installed.



**LSP10 - SM** - SURGE PROTECTOR

Surge protector absorbs transient electrical spikes and protects fixtures and electronics 120/277v. Re-sets after surge. Factory Installed.



## SAFETY CABLE OPTIONS

**SC1** - SAFETY CABLE

1/16" stainless steel safety cable for added support. Standard kit is 18" and double barrel locks are provided. Approved for California seismic requirements. Rated at 50 lbs.




# COLOR OPTIONS - POWDER COAT PAINT FINISHES

NOTE: NO PRINTED IMAGE CAN EQUAL THE EXACT COLOR OF FINISH ON METAL.  
SEE INDIVIDUAL SPECIFICATION SHEETS OR CONSULT FACTORY FOR ADDITIONAL INFORMATION.



## STANDARD CORD / STEM / CANOPY FINISHES

FIXTURE COLOR	STANDARD CORD COLOR	STANDARD CANOPY / STEM COLOR
Matte White, Textured White	Matte White	Matte White
Gloss White	Matte White	Gloss White
Matte Black, Gloss Black, Textured Black	Matte Black	Matte Black
All Others	Matte Black	Same Color as Fixture
Custom Color	Contact Factory	Contact Factory

## PAINT TIMES

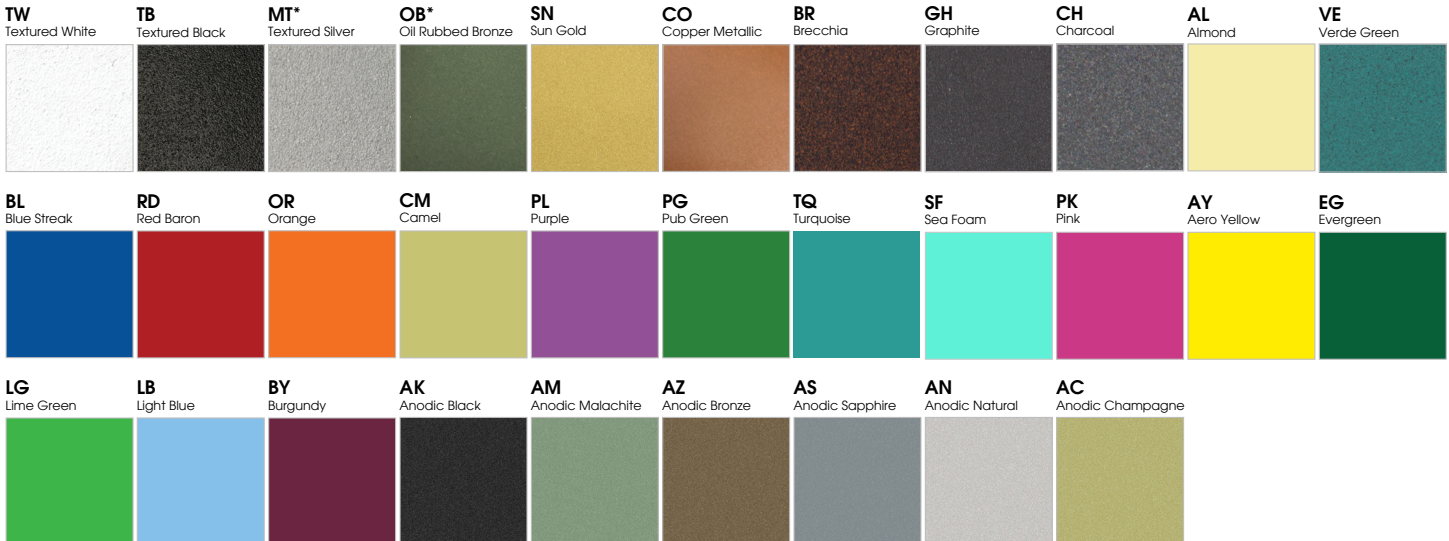
TIER	COST	AVERAGE PAINT TIME*
Tier 1 - Standard Finishes	\$	⌚
Tier 2 - Typical Finishes	\$\$	⌚⌚
Custom Color	Contact Factory	Contact Factory

\*CONTACT FACTORY FOR SPECIFIC PRODUCT LEAD TIMES

## TIER 1 - STANDARD FINISHES



## TIER 2 - TYPICAL FINISHES



## CUSTOM COLOR FINISHES

CONTACT FACTORY

**CC**  
Custom Color



\*UNAVAILABLE FOR WET LOCATION

