



12" ALUMINUM EXT SERIES



ALEXT12GV

APPLICATION

12" Lumen Max GV series performance pendant for low, and mid-bay applications. Aluminum reflector designed for maximum downlight.

FEATURES

Extruded Fixture Housing (EXT) features a clean and modern design. Single-stage optical system for smooth light distribution. 80 CRI minimum. Consult factory for high CRI or special applications. LED module and driver designed for ease of maintenance and replacement. Posi-lock reflector retention ring will absorb shocks and impact. Optional safety cable. Variety of optical lenses and mounting methods.

FINISH

Multi-stage polyester powder-coat process applied on our dedicated paint lines. Variety of standard and custom finishes are available. All exposed materials are chromate pretreated to resist corrosion. Standard Matte White interior finish on reflectors.

ELECTRONICS

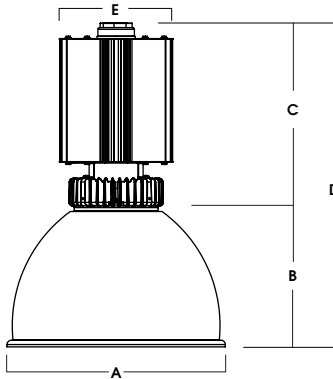
GV LED system features high brightness white Samsung LED's. 3-step MacAdam Ellipse binning. Standard CRI: 80+. Higher CRI, R9 and custom LED configurations are available; consult factory. Variety of electronic 120V/277V and dimming drivers.

CONSTRUCTION

Extruded and machined 6063-T5 aluminum housing. Graphite gasket for optimal thermal management. Die-cast aluminum heat sink. Reflector made of spun .060" aluminum.

CODE COMPLIANCE

BAA compliant. ETL certified to meet US and Canadian standards. Suitable for dry or damp locations. Manufactured and tested to UL standards No. 1598/8750.



A	B	C	D	E
12.5	8.1	10.5	18.5	6.5
317.5 mm	205.7 mm	266.7 mm	469.9 mm	165.1 mm

LUMENS / WATTAGE DATA				
PART NUMBER	SOURCE LUMENS ¹	DELIVERED LUMENS ²	SYSTEM WATTS	LPW
ALEXT12GV15L	1500	1085	10	109
ALEXT12GV27L	2700	1849	18	103
ALEXT12GV37L	3700	2773	26	107
ALEXT12GV55L	5500	4019	39	103

SERIES	LUMENS ¹	CCT	DRIVER / DIMMING ³	OPTIONS ⁴	MOUNTING ⁵	REFLECTOR	DIFFUSER OPTIONS	FINISH ¹²
ALEXT12GV	15L 1500 Lm	27K 2700K	EX Electronic Driver, 120V/277V	FS Fusing	HM ⁶ Hang Straight	AL12/MWI ¹⁰ Matte White Inside	DOOR	MW ¹³ Matte White
	27L 2700 Lm	30K 3000K						
	37L 3700 Lm	35K 3500K	DS10X 10% 0-10V, 120V/277V	E347 347V Driver	PM ⁷ Rigid Pendant	AL12/FCI Fixture Color Inside	CNFR Conical Frosted Lens	PT ¹³ Platinum Silver
	55L 5500 Lm	40K 4000K						
		50K 5000K	DO10X 1% 0-10V, 120V/277V	SC2 Safety Cable, Reflector to Door Fixture	HC ^{9(7/8)} Hook & Cord		DL Drop Lens	See Page 5 for Full Range of Color Options (83-90081)
					NM2 ^{7(8/9)} 1/2" NPT Hub		FO White Optical Acrylic	
					NM3 ^{7(8/9)} 3/4" NPT Hub		PP Prismatic Polycarbonate	
					EMERGENCY BATTERY OPTIONS		PC Clear Polycarbonate	
					EMCR 10W Canopy Mounted EM		WAG12 12" Wire Guard	
					EMRM 7W Remote EM			
					EMEN 7W Remote with Enclosure			

EXAMPLE: ALEXT12GV15L27KEX/HM36/AL12/MWI/DR12ACN/MW

NOTES:
 1 Nominal Source Lumens at 35K 2 Nominal Delivered Lumens at 35K with AL12/MWI/DR12A/CNFR/MW 3 Contact Factory for Additional Options 4 See Product Options Page for Details 5 See Mounting Page for Details on Components and Finishes 6 Specify Length in Inches: See Mounting Page for Available Lengths 7 Mounting Supplied by Others 8 Not Available with EMCR 9 12" Leads Unless Specified 10 Reflector Finished Matte White With Finish Color Out 11 Same Finish as Housing 12 See Color Page for More Options/Consult Factory for Special Finishes 13 Standard Finishes



PROJECT: _____
 QUANTITY: _____ TYPE: _____



12" ALUMINUM

EXT SERIES / FIXTURE OPTIONS



STANDARD FINISHES

MW
MATTE WHITE



MB
MATTE BLACK

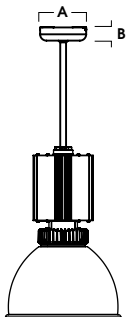


PT
PLATINUM SILVER



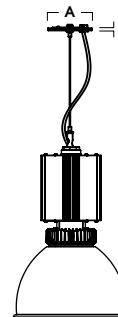
MOUNTING TYPES

HM / AT / PM
HANG STRAIGHT / ALL THREAD / PENDANT



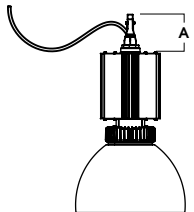
A	B
5.4	2.5
137.2 mm	63.5 mm

CD
CORD / CABLE MOUNT



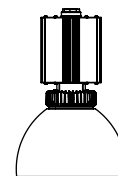
A	B
5.0	.25
127.0 mm	6.4 mm

HC
HOOK CORD



A
4.2
106.7 mm

NM
NO MOUNT



12" ALUMINUM

DDH SERIES / PHOTOMETRIC DATA



ALxxx12GV 55L 35K XX AL12/MWI MW

CANDLEPOWER CURVE TEST SP-00456_13	INTENSITY CANDELA 0° AZIMUTH	ZONAL LUMENS	SINGLE UNIT: PERFORMANCE DIRECT FOOTCANDLES BASED ON DOWNLIGHT ONLY				MULTIPLE UNITS: PERFORMANCE 80/50/20% REFLECTANCES INITIAL FOOTCANDLES AND WATTS PER SQUARE FOOT						
			Mounting Height AFF	FC at Center on Floor	Beam Diameter	FC at Beam Edge	Ceiling Height	Fixture Spacing	RCR 1		RCR 3		
	0°	0° - 10° 277 6%	8'	46 fc	6.2'	11 fc	18'	9'	62	0.49	37	0.36	
	0°	0° - 30° 2138 45%	10'	29 fc	7.8'	7 fc	22'	11'	41	0.32	34	0.32	
	20°	0° - 60° 4199 88%	12'	20 fc	9.4'	5 fc	26'	13'	27	0.21	22	0.21	
	40°	90° - 120° 7 0%	14'	15 fc	10.9'	4 fc	Delivered Illuminance Rating: (DIR) 127 FC per W/Sq. Ft. 104 FC per W/Sq. Ft.						
	60°	90° - 150° 12 0%	16'	11 fc	12.5'	3 fc							
	80°	0° - 90° 4755 100%	20'	7 fc	15.6'	2 fc	3' Suspension Length to luminous aperture Square rooms used for multiple units: RCR 1: Length & Width = Ceiling Ht. - 5.5' x 10.00 RCR 3: Length & Width = Ceiling Ht. - 5.5' x 3.33 * Average Footcandles at 2.5' Above Floor						
	100°	90° - 180° 14 0%	24'	5 fc	18.7'	1 fc							
	120°	180° 2	28'	4 fc	21.9'	1 fc							
	140°	Total 4769 100%											
	160°												
	180°												

Delivered Lumens: 4769
Luminaire Watts: 39
LER: 122.28

CP at 0° (Nadir): 2918
CRI: 83

Beam Angle: 76°
Spacing Ratio: 1.17

Lumen Multiplier: 15L x 0.27, 27L x 0.46, 37L x 0.68
CCT Multiplier: 27K x 0.97, 30K x 0.99, 40K x 1.03
50K x 1.06

ALxxx12GV 55L 35K XX AL12/MWI DR12A CNFR MW

CANDLEPOWER CURVE TEST SP-00456_8	INTENSITY CANDELA 0° AZIMUTH	ZONAL LUMENS	SINGLE UNIT: PERFORMANCE DIRECT FOOTCANDLES BASED ON DOWNLIGHT ONLY				MULTIPLE UNITS: PERFORMANCE 80/50/20% REFLECTANCES INITIAL FOOTCANDLES AND WATTS PER SQUARE FOOT						
			Mounting Height AFF	FC at Center on Floor	Beam Diameter	FC at Beam Edge	Ceiling Height	Fixture Spacing	RCR 1		RCR 3		
	0°	0° - 10° 162 4%	8'	25 fc	6.9'	5 fc	18'	9'	45	0.42	31	0.36	
	0°	0° - 30° 1585 39%	10'	16 fc	8.6'	3 fc	22'	11'	30	0.28	18	0.21	
	20°	0° - 60° 3488 87%	12'	11 fc	10.3'	2 fc	26'	13'	22	0.21	18	0.21	
	40°	90° - 120° 11 0%	14'	8 fc	12.1'	2 fc	Delivered Illuminance Rating: (DIR) 106 FC per W/Sq. Ft. 85 FC per W/Sq. Ft.						
	60°	90° - 150° 18 0%	16'	6 fc	13.8'	1 fc							
	80°	0° - 90° 3999 100%	20'	4 fc	17.2'	1 fc	3' Suspension Length to luminous aperture Square rooms used for multiple units: RCR 1: Length & Width = Ceiling Ht. - 5.5' x 10.00 RCR 3: Length & Width = Ceiling Ht. - 5.5' x 3.33 * Average Footcandles at 2.5' Above Floor						
	100°	90° - 180° 20 0%	24'	3 fc	20.7'	1 fc							
	120°	180° 3	28'	2 fc	24.1'	0 fc							
	140°	Total 4019 100%											
	160°												
	180°												

Delivered Lumens: 4019
Luminaire Watts: 39
LER: 103.05

CP at 0° (Nadir): 1586
CRI: 83

Beam Angle: 82°
Spacing Ratio: 1.40

Lumen Multiplier: 15L x 0.27, 27L x 0.46, 37L x 0.68
CCT Multiplier: 27K x 0.97, 30K x 0.99, 40K x 1.03
50K x 1.06

ALxxx12GV 55L 35K XX AL12/MWI DR12A CN MW

CANDLEPOWER CURVE TEST SP-00456_7	INTENSITY CANDELA 0° AZIMUTH	ZONAL LUMENS	SINGLE UNIT: PERFORMANCE DIRECT FOOTCANDLES BASED ON DOWNLIGHT ONLY				MULTIPLE UNITS: PERFORMANCE 80/50/20% REFLECTANCES INITIAL FOOTCANDLES AND WATTS PER SQUARE FOOT						
			Mounting Height AFF	FC at Center on Floor	Beam Diameter	FC at Beam Edge	Ceiling Height	Fixture Spacing	RCR 1		RCR 3		
	0°	0° - 10° 147 4%	8'	22 fc	6.6'	5 fc	18'	9'	45	0.42	31	0.36	
	0°	0° - 30° 1697 42%	10'	14 fc	8.2'	3 fc	22'	11'	30	0.28	18	0.21	
	20°	0° - 60° 3570 88%	12'	10 fc	9.8'	2 fc	26'	13'	23	0.21	18	0.21	
	40°	90° - 120° 10 0%	14'	7 fc	11.5'	2 fc	Delivered Illuminance Rating: (DIR) 108 FC per W/Sq. Ft. 87 FC per W/Sq. Ft.						
	60°	90° - 150° 16 0%	16'	5 fc	13.1'	1 fc							
	80°	0° - 90° 4041 100%	20'	3 fc	16.4'	1 fc	3' Suspension Length to luminous aperture Square rooms used for multiple units: RCR 1: Length & Width = Ceiling Ht. - 5.5' x 10.00 RCR 3: Length & Width = Ceiling Ht. - 5.5' x 3.33 * Average Footcandles at 2.5' Above Floor						
	100°	90° - 180° 18 0%	24'	2 fc	19.7'	1 fc							
	120°	180° 2	28'	2 fc	23.0'	0 fc							
	140°	Total 4058 100%											
	160°												
	180°												

Delivered Lumens: 4058
Luminaire Watts: 39
LER: 104.05

CP at 0° (Nadir): 1380
CRI: 83

Beam Angle: 79°
Spacing Ratio: 1.51

Lumen Multiplier: 15L x 0.27, 27L x 0.46, 37L x 0.68
CCT Multiplier: 27K x 0.97, 30K x 0.99, 40K x 1.03
50K x 1.06



12" ALUMINUM

DDH SERIES / PHOTOMETRIC DATA



ALxxx12GV 55L 35K XX AL12/MWI DR12A DL MW

CANDLEPOWER CURVE TEST SP-00456_9	INTENSITY CANDELA 0° AZIMUTH	ZONAL LUMENS	SINGLE UNIT: PERFORMANCE DIRECT FOOTCANDLES BASED ON DOWNLIGHT ONLY	MULTIPLE UNITS: PERFORMANCE 80/50/20% REFLECTANCES INITIAL FOOTCANDLES AND WATTS PER SQUARE FOOT																																																																
	0°	0° - 10° 121 3%	<table border="1"> <thead> <tr> <th>Mounting Height AFF</th> <th>FC at Center on Floor</th> <th>Beam Diameter</th> <th>FC at Beam Edge</th> </tr> </thead> <tbody> <tr><td>8'</td><td>18 fc</td><td>6.9'</td><td>4 fc</td></tr> <tr><td>10'</td><td>12 fc</td><td>8.6'</td><td>3 fc</td></tr> <tr><td>12'</td><td>8 fc</td><td>10.3'</td><td>2 fc</td></tr> <tr><td>14'</td><td>6 fc</td><td>12.0'</td><td>1 fc</td></tr> <tr><td>16'</td><td>5 fc</td><td>13.7'</td><td>1 fc</td></tr> <tr><td>20'</td><td>3 fc</td><td>17.2'</td><td>1 fc</td></tr> <tr><td>24'</td><td>2 fc</td><td>20.6'</td><td>0 fc</td></tr> <tr><td>28'</td><td>1 fc</td><td>24.0'</td><td>0 fc</td></tr> </tbody> </table>	Mounting Height AFF	FC at Center on Floor	Beam Diameter	FC at Beam Edge	8'	18 fc	6.9'	4 fc	10'	12 fc	8.6'	3 fc	12'	8 fc	10.3'	2 fc	14'	6 fc	12.0'	1 fc	16'	5 fc	13.7'	1 fc	20'	3 fc	17.2'	1 fc	24'	2 fc	20.6'	0 fc	28'	1 fc	24.0'	0 fc	<table border="1"> <thead> <tr> <th rowspan="2">Ceiling Height</th> <th rowspan="2">Fixture Spacing</th> <th colspan="2">RCR 1</th> <th colspan="2">RCR 3</th> </tr> <tr> <th>FC *</th> <th>W/Sq. Ft.</th> <th>FC *</th> <th>W/Sq. Ft.</th> </tr> </thead> <tbody> <tr><td>18'</td><td>9'</td><td>40</td><td>0.42</td><td>28</td><td>0.36</td></tr> <tr><td>22'</td><td>11'</td><td>27</td><td>0.28</td><td>16</td><td>0.21</td></tr> <tr><td>26'</td><td>13'</td><td>20</td><td>0.21</td><td>16</td><td>0.21</td></tr> </tbody> </table> <p>Delivered Illuminance Rating: (DIR) 96 FC per W/Sq. Ft. 77 FC per W/Sq. Ft.</p> <p>3' Suspension Length to luminous aperture Square rooms used for multiple units: RCR 1: Length & Width = Ceiling Ht. - 5.5' x 10.00 RCR 3: Length & Width = Ceiling Ht. - 5.5' x 3.33 * Average Footcandles at 2.5' Above Floor</p>	Ceiling Height	Fixture Spacing	RCR 1		RCR 3		FC *	W/Sq. Ft.	FC *	W/Sq. Ft.	18'	9'	40	0.42	28	0.36	22'	11'	27	0.28	16	0.21	26'	13'	20	0.21	16	0.21
	Mounting Height AFF	FC at Center on Floor		Beam Diameter	FC at Beam Edge																																																															
	8'	18 fc		6.9'	4 fc																																																															
	10'	12 fc		8.6'	3 fc																																																															
	12'	8 fc		10.3'	2 fc																																																															
	14'	6 fc		12.0'	1 fc																																																															
	16'	5 fc		13.7'	1 fc																																																															
	20'	3 fc		17.2'	1 fc																																																															
	24'	2 fc		20.6'	0 fc																																																															
	28'	1 fc		24.0'	0 fc																																																															
	Ceiling Height	Fixture Spacing		RCR 1		RCR 3																																																														
				FC *	W/Sq. Ft.	FC *	W/Sq. Ft.																																																													
	18'	9'		40	0.42	28	0.36																																																													
22'	11'	27	0.28	16	0.21																																																															
26'	13'	20	0.21	16	0.21																																																															
0° 1155	0° - 30° 1416 39%	10' 12 fc 8.6' 3 fc	18' 9' 40 0.42 28 0.36																																																																	
20° 1757	0° - 60° 3197 89%	12' 8 fc 10.3' 2 fc	22' 11' 27 0.28 16 0.21																																																																	
40° 1024	90° - 120° 8 0%	14' 6 fc 12.0' 1 fc	26' 13' 20 0.21 16 0.21																																																																	
60° 288	90° - 150° 14 0%	16' 5 fc 13.7' 1 fc	Delivered Illuminance Rating: (DIR) 96 FC per W/Sq. Ft. 77 FC per W/Sq. Ft.																																																																	
80° 63	0° - 90° 3585 100%	20' 3 fc 17.2' 1 fc	3' Suspension Length to luminous aperture Square rooms used for multiple units: RCR 1: Length & Width = Ceiling Ht. - 5.5' x 10.00 RCR 3: Length & Width = Ceiling Ht. - 5.5' x 3.33 * Average Footcandles at 2.5' Above Floor																																																																	
90° 8	90° - 180° 15 0%	24' 2 fc 20.6' 0 fc																																																																		
100° 2	Total 3600 100%	28' 1 fc 24.0' 0 fc																																																																		
120° 3																																																																				
140° 3																																																																				
160° 3																																																																				
180° 2																																																																				

Delivered Lumens: 3600
Luminaire Watts: 39
LER: 92.31

CP at 0° (Nadir): 1155
CRI: 83

Beam Angle: 82°
Spacing Ratio: 1.58

Lumen Multiplier: 15L x 0.27, 27L x 0.46, 37L x 0.68
CCT Multiplier: 27K x 0.97, 30K x 0.99, 40K x 1.03
50K x 1.06

ALxxx12GV 55L 35K XX AL12/MWI DR12A FO MW

CANDLEPOWER CURVE TEST SP-00456_10	INTENSITY CANDELA 0° AZIMUTH	ZONAL LUMENS	SINGLE UNIT: PERFORMANCE DIRECT FOOTCANDLES BASED ON DOWNLIGHT ONLY	MULTIPLE UNITS: PERFORMANCE 80/50/20% REFLECTANCES INITIAL FOOTCANDLES AND WATTS PER SQUARE FOOT																																																																
	0°	0° - 10° 128 4%	<table border="1"> <thead> <tr> <th>Mounting Height AFF</th> <th>FC at Center on Floor</th> <th>Beam Diameter</th> <th>FC at Beam Edge</th> </tr> </thead> <tbody> <tr><td>8'</td><td>21 fc</td><td>10.9'</td><td>2 fc</td></tr> <tr><td>10'</td><td>13 fc</td><td>13.6'</td><td>1 fc</td></tr> <tr><td>12'</td><td>9 fc</td><td>16.4'</td><td>1 fc</td></tr> <tr><td>14'</td><td>7 fc</td><td>19.1'</td><td>1 fc</td></tr> <tr><td>16'</td><td>5 fc</td><td>21.8'</td><td>1 fc</td></tr> <tr><td>20'</td><td>3 fc</td><td>27.3'</td><td>0 fc</td></tr> <tr><td>24'</td><td>2 fc</td><td>32.7'</td><td>0 fc</td></tr> <tr><td>28'</td><td>2 fc</td><td>38.2'</td><td>0 fc</td></tr> </tbody> </table>	Mounting Height AFF	FC at Center on Floor	Beam Diameter	FC at Beam Edge	8'	21 fc	10.9'	2 fc	10'	13 fc	13.6'	1 fc	12'	9 fc	16.4'	1 fc	14'	7 fc	19.1'	1 fc	16'	5 fc	21.8'	1 fc	20'	3 fc	27.3'	0 fc	24'	2 fc	32.7'	0 fc	28'	2 fc	38.2'	0 fc	<table border="1"> <thead> <tr> <th rowspan="2">Ceiling Height</th> <th rowspan="2">Fixture Spacing</th> <th colspan="2">RCR 1</th> <th colspan="2">RCR 3</th> </tr> <tr> <th>FC *</th> <th>W/Sq. Ft.</th> <th>FC *</th> <th>W/Sq. Ft.</th> </tr> </thead> <tbody> <tr><td>18'</td><td>9'</td><td>46</td><td>0.49</td><td>26</td><td>0.36</td></tr> <tr><td>22'</td><td>11'</td><td>30</td><td>0.32</td><td>23</td><td>0.32</td></tr> <tr><td>26'</td><td>13'</td><td>20</td><td>0.21</td><td>15</td><td>0.21</td></tr> </tbody> </table> <p>Delivered Illuminance Rating: (DIR) 94 FC per W/Sq. Ft. 72 FC per W/Sq. Ft.</p> <p>3' Suspension Length to luminous aperture Square rooms used for multiple units: RCR 1: Length & Width = Ceiling Ht. - 5.5' x 10.00 RCR 3: Length & Width = Ceiling Ht. - 5.5' x 3.33 * Average Footcandles at 2.5' Above Floor</p>	Ceiling Height	Fixture Spacing	RCR 1		RCR 3		FC *	W/Sq. Ft.	FC *	W/Sq. Ft.	18'	9'	46	0.49	26	0.36	22'	11'	30	0.32	23	0.32	26'	13'	20	0.21	15	0.21
	Mounting Height AFF	FC at Center on Floor		Beam Diameter	FC at Beam Edge																																																															
	8'	21 fc		10.9'	2 fc																																																															
	10'	13 fc		13.6'	1 fc																																																															
	12'	9 fc		16.4'	1 fc																																																															
	14'	7 fc		19.1'	1 fc																																																															
	16'	5 fc		21.8'	1 fc																																																															
	20'	3 fc		27.3'	0 fc																																																															
	24'	2 fc		32.7'	0 fc																																																															
	28'	2 fc		38.2'	0 fc																																																															
	Ceiling Height	Fixture Spacing		RCR 1		RCR 3																																																														
				FC *	W/Sq. Ft.	FC *	W/Sq. Ft.																																																													
	18'	9'		46	0.49	26	0.36																																																													
22'	11'	30	0.32	23	0.32																																																															
26'	13'	20	0.21	15	0.21																																																															
0° 1336	0° - 30° 1020 28%	10' 13 fc 13.6' 1 fc	18' 9' 46 0.49 26 0.36																																																																	
20° 1222	0° - 60° 2872 79%	12' 9 fc 16.4' 1 fc	22' 11' 30 0.32 23 0.32																																																																	
40° 927	90° - 120° 7 0%	14' 7 fc 19.1' 1 fc	26' 13' 20 0.21 15 0.21																																																																	
60° 542	90° - 150° 13 0%	16' 5 fc 21.8' 1 fc	Delivered Illuminance Rating: (DIR) 94 FC per W/Sq. Ft. 72 FC per W/Sq. Ft.																																																																	
80° 126	0° - 90° 3601 100%	20' 3 fc 27.3' 0 fc	3' Suspension Length to luminous aperture Square rooms used for multiple units: RCR 1: Length & Width = Ceiling Ht. - 5.5' x 10.00 RCR 3: Length & Width = Ceiling Ht. - 5.5' x 3.33 * Average Footcandles at 2.5' Above Floor																																																																	
90° 5	90° - 180° 14 0%	24' 2 fc 32.7' 0 fc																																																																		
100° 2	Total 3615 100%	28' 2 fc 38.2' 0 fc																																																																		
120° 2																																																																				
140° 2																																																																				
160° 2																																																																				
180° 2																																																																				

Delivered Lumens: 3615
Luminaire Watts: 39
LER: 92.69

CP at 0° (Nadir): 1336
CRI: 83

Beam Angle: 108°
Spacing Ratio: 1.21

Lumen Multiplier: 15L x 0.27, 27L x 0.46, 37L x 0.68
CCT Multiplier: 27K x 0.97, 30K x 0.99, 40K x 1.03
50K x 1.06

ALxxx12GV 55L 35K XX AL12/MWI DR12A PP MW

CANDLEPOWER CURVE TEST SP-00456_12	INTENSITY CANDELA 0° AZIMUTH	ZONAL LUMENS	SINGLE UNIT: PERFORMANCE DIRECT FOOTCANDLES BASED ON DOWNLIGHT ONLY	MULTIPLE UNITS: PERFORMANCE 80/50/20% REFLECTANCES INITIAL FOOTCANDLES AND WATTS PER SQUARE FOOT																																																																
	0°	0° - 10° 247 6%	<table border="1"> <thead> <tr> <th>Mounting Height AFF</th> <th>FC at Center on Floor</th> <th>Beam Diameter</th> <th>FC at Beam Edge</th> </tr> </thead> <tbody> <tr><td>8'</td><td>41 fc</td><td>5.0'</td><td>12 fc</td></tr> <tr><td>10'</td><td>26 fc</td><td>6.3'</td><td>8 fc</td></tr> <tr><td>12'</td><td>18 fc</td><td>7.6'</td><td>5 fc</td></tr> <tr><td>14'</td><td>13 fc</td><td>8.8'</td><td>4 fc</td></tr> <tr><td>16'</td><td>10 fc</td><td>10.1'</td><td>3 fc</td></tr> <tr><td>20'</td><td>7 fc</td><td>12.6'</td><td>2 fc</td></tr> <tr><td>24'</td><td>5 fc</td><td>15.1'</td><td>1 fc</td></tr> <tr><td>28'</td><td>3 fc</td><td>17.7'</td><td>1 fc</td></tr> </tbody> </table>	Mounting Height AFF	FC at Center on Floor	Beam Diameter	FC at Beam Edge	8'	41 fc	5.0'	12 fc	10'	26 fc	6.3'	8 fc	12'	18 fc	7.6'	5 fc	14'	13 fc	8.8'	4 fc	16'	10 fc	10.1'	3 fc	20'	7 fc	12.6'	2 fc	24'	5 fc	15.1'	1 fc	28'	3 fc	17.7'	1 fc	<table border="1"> <thead> <tr> <th rowspan="2">Ceiling Height</th> <th rowspan="2">Fixture Spacing</th> <th colspan="2">RCR 1</th> <th colspan="2">RCR 3</th> </tr> <tr> <th>FC *</th> <th>W/Sq. Ft.</th> <th>FC *</th> <th>W/Sq. Ft.</th> </tr> </thead> <tbody> <tr><td>18'</td><td>9'</td><td>50</td><td>0.49</td><td>30</td><td>0.36</td></tr> <tr><td>22'</td><td>11'</td><td>33</td><td>0.32</td><td>27</td><td>0.32</td></tr> <tr><td>26'</td><td>13'</td><td>25</td><td>0.24</td><td>18</td><td>0.21</td></tr> </tbody> </table> <p>Delivered Illuminance Rating: (DIR) 103 FC per W/Sq. Ft. 84 FC per W/Sq. Ft.</p> <p>3' Suspension Length to luminous aperture Square rooms used for multiple units: RCR 1: Length & Width = Ceiling Ht. - 5.5' x 10.00 RCR 3: Length & Width = Ceiling Ht. - 5.5' x 3.33 * Average Footcandles at 2.5' Above Floor</p>	Ceiling Height	Fixture Spacing	RCR 1		RCR 3		FC *	W/Sq. Ft.	FC *	W/Sq. Ft.	18'	9'	50	0.49	30	0.36	22'	11'	33	0.32	27	0.32	26'	13'	25	0.24	18	0.21
	Mounting Height AFF	FC at Center on Floor		Beam Diameter	FC at Beam Edge																																																															
	8'	41 fc		5.0'	12 fc																																																															
	10'	26 fc		6.3'	8 fc																																																															
	12'	18 fc		7.6'	5 fc																																																															
	14'	13 fc		8.8'	4 fc																																																															
	16'	10 fc		10.1'	3 fc																																																															
	20'	7 fc		12.6'	2 fc																																																															
	24'	5 fc		15.1'	1 fc																																																															
	28'	3 fc		17.7'	1 fc																																																															
	Ceiling Height	Fixture Spacing		RCR 1		RCR 3																																																														
				FC *	W/Sq. Ft.	FC *	W/Sq. Ft.																																																													
	18'	9'		50	0.49	30	0.36																																																													
22'	11'	33	0.32	27	0.32																																																															
26'	13'	25	0.24	18	0.21																																																															
0° 2604	0° - 30° 1720 44%	10' 26 fc 6.3' 8 fc	18' 9' 50 0.49 30 0.36																																																																	
20° 2083	0° - 60° 3382 87%	12' 18 fc 7.6' 5 fc	22' 11' 33 0.32 27 0.32																																																																	
40° 910	90° - 120° 7 0%	14' 13 fc 8.8' 4 fc	26' 13' 25 0.24 18 0.21																																																																	
60° 337	90° - 150° 13 0%	16' 10 fc 10.1' 3 fc	Delivered Illuminance Rating: (DIR) 103 FC per W/Sq. Ft. 84 FC per W/Sq. Ft.																																																																	
80° 112	0° - 90° 3877 100%	20' 7 fc 12.6' 2 fc	3' Suspension Length to luminous aperture Square rooms used for multiple units: RCR 1: Length & Width = Ceiling Ht. - 5.5' x 10.00 RCR 3: Length & Width = Ceiling Ht. - 5.5' x 3.33 * Average Footcandles at 2.5' Above Floor																																																																	
90° 4	90° - 180° 15 0%	24' 5 fc 15.1' 1 fc																																																																		
100° 2	Total 3892 100%	28' 3 fc 17.7' 1 fc																																																																		
120° 2																																																																				
140° 2																																																																				
160° 2																																																																				
180° 2																																																																				

Delivered Lumens: 3892
Luminaire Watts: 39
LER: 99.79

CP at 0° (Nadir): 2604
CRI: 83

Beam Angle: 65°
Spacing Ratio: 0.94

Lumen Multiplier: 15L x 0.27, 27L x 0.46, 37L x 0.68
CCT Multiplier: 27K x 0.97, 30K x 0.99, 40K x 1.03
50K x 1.06



12" ALUMINUM

DDH SERIES / PHOTOMETRIC DATA



ALxxx12GV 55L 35K XX AL12/MWI DR12A PC MW

CANDLEPOWER CURVE TEST SP-00456_11	INTENSITY CANDELA 0° AZIMUTH	ZONAL LUMENS	SINGLE UNIT: PERFORMANCE DIRECT FOOTCANDLES BASED ON DOWNLIGHT ONLY				MULTIPLE UNITS: PERFORMANCE 80/50/20% REFLECTANCES INITIAL FOOTCANDLES AND WATTS PER SQUARE FOOT								
			Mounting Height AFF	FC at Center on Floor	Beam Diameter	FC at Beam Edge	Ceiling Height	Fixture Spacing	RCR 1		RCR 3				
	0°	0° - 10°	241	6%	8'	40 fc	5.7'	11 fc	18'	9'	51	0.49	31	0.36	
	0°	0° - 30°	1857	48%	10'	25 fc	7.1'	7 fc	22'	11'	33	0.32	27	0.32	
	20°	0° - 60°	3456	89%	12'	18 fc	8.5'	5 fc	26'	13'	22	0.21	18	0.21	
	40°	90° - 120°	6	0%	14'	13 fc	9.9'	4 fc	Delivered Illuminance Rating: (DIR)		104 FC per W/Sq. Ft.		85 FC per W/Sq. Ft.		
	60°	90° - 150°	11	0%	16'	10 fc	11.4'	3 fc	3' Suspension Length to luminous aperture Square rooms used for multiple units: RCR 1: Length & Width = Ceiling Ht. - 5.5' x 10.00 RCR 3: Length & Width = Ceiling Ht. - 5.5' x 3.33 * Average Footcandles at 2.5' Above Floor						
	80°	0° - 90°	3867	100%	20'	6 fc	14.2'	2 fc							
	90°	90° - 180°	13	0%	24'	4 fc	17.0'	1 fc							
	100°	Total	3881	100%	28'	3 fc	19.9'	1 fc							
	120°														
	140°														
	160°														
	180°														

Delivered Lumens: 3881
Luminaire Watts: 39
LER: 99.51

CP at 0° (Nadir): 2539
CRI: 83

Beam Angle: 71°
Spacing Ratio: 1.13

Lumen Multiplier: 15L x 0.27, 27L x 0.46, 37L x 0.68
CCT Multiplier: 27K x 0.97, 30K x 0.99, 40K x 1.03
50K x 1.06

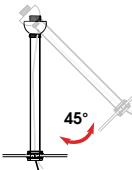
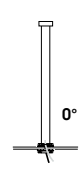
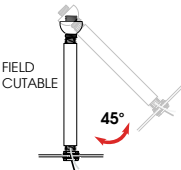
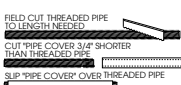

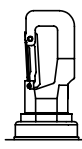
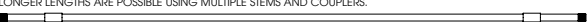


MOUNTING & ACCESSORIES

SOME OPTIONS NOT AVAILABLE ON ALL FIXTURES, CONSULT SPECIFICATION SHEETS. SEE INDIVIDUAL SPECIFICATION SHEETS OR CONSULT FACTORY FOR ADDITIONAL INFORMATION. NOTE: THIS IS TYPICAL OF LUMEN MAX SPECIFICATION FOR PENDANT MOUNTING. INDIVIDUAL FIXTURES OR PROJECTS MAY HAVE SPECIALIZED REQUIREMENTS.

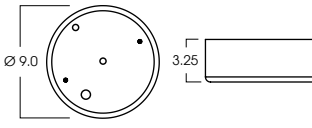


MOUNTING TYPES

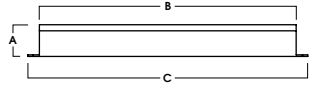
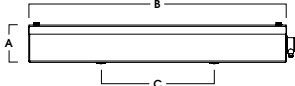
<p>HM* HANG STRAIGHT 45° SWIVEL 5/8" OD STEM - 3/8" IP</p>  <p>ORDER: HM (Length) SPECIFY LENGTH: HM3 - 3" HM24 - 24" HM6 - 6" HM36 - 36" HM12 - 12" HM48 - 48" HM18 - 18" HM72 - 72" HMLC(XX) Custom Length (Specify in Inches)</p>	<p>PM* RIGID PENDANT MOUNT RIGID 5/8" OD STEM - 3/8" IP</p>  <p>ORDER: PM (Length) SPECIFY LENGTH: PM3 - 3" PM24 - 24" PM6 - 6" PM36 - 36" PM12 - 12" PM48 - 48" PM18 - 18" PM72 - 72" PMLC(XX) Custom Length (Specify in Inches)</p>	<p>AT** HANG STRAIGHT ALL THREAD 45° SWIVEL 5/8" OD STEM - 1/4" IP</p>  <p>ORDER: AT (Length) SPECIFY LENGTH: AT12 - 12" AT24 - 24" AT36 - 36"</p> 	<p>CD CORD / CABLE MOUNT SJ CORD WITH 1/16 SS CABLE</p>  <p>ORDER: CD (Length) SPECIFY LENGTH: CD36 - 36" CD72 - 72" CD144 - 144" CDLC(XX) Custom Length (Specify in Inches)</p>	<p>HC HOOK & CORD FOR INDEPENDENT MOUNTING</p>  <p>ORDER: HC</p>
<p>*MAXIMUM ONE PIECE STEM LENGTH IS 72". **MAXIMUM ONE PIECE STEM LENGTH IS 36". LONGER LENGTHS ARE POSSIBLE USING MULTIPLE STEMS AND COUPLERS.</p> 				

EMERGENCY BATTERY OPTIONS

EMCR - LARGE DRIVER CANOPY FOR 10W EMERGENCY BATTERY



REMOTE EMERGENCY BATTERY OPTIONS

<p>EMRM* - 7W REMOTE EMERGENCY BATTERY (50' MAX)</p>  <table border="1" data-bbox="568 1197 763 1239"> <thead> <tr> <th>A</th> <th>B</th> <th>C</th> </tr> </thead> <tbody> <tr> <td>1.3</td> <td>12.6</td> <td>13.0</td> </tr> </tbody> </table>	A	B	C	1.3	12.6	13.0	<p>EMEN* - 7W REMOTE EMERGENCY BATTERY WITH ENCLOSURE (50' MAX)</p>  <table border="1" data-bbox="925 1197 1120 1239"> <thead> <tr> <th>A</th> <th>B</th> <th>C</th> </tr> </thead> <tbody> <tr> <td>2.0</td> <td>17.0</td> <td>6.2</td> </tr> </tbody> </table>	A	B	C	2.0	17.0	6.2
A	B	C											
1.3	12.6	13.0											
A	B	C											
2.0	17.0	6.2											

*OTHER EM BATTERY SIZES AVAILABLE, CONSULT FACTORY

ADDITIONS


FS - FUSING

Slow blow type fuse protects fixture against voltage surges. Factory installed.



LSP10 - SM - SURGE PROTECTOR

Surge protector absorbs transient electrical spikes and protects fixtures and electronics 120/277v. Re-sets after surge. Factory Installed.



SAFETY CABLE OPTIONS

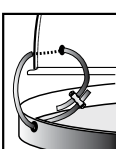
SC1 - SAFETY CABLE

1/16" stainless steel safety cable for added support. Standard kit is 18" and double barrel locks are provided. Approved for California seismic requirements. Rated at 50 lbs.



SC2 - SAFETY CABLE

1/16" Stainless steel cable holds door to fixture




COLOR OPTIONS - POWDER COAT PAINT FINISHES

NOTE: NO PRINTED IMAGE CAN EQUAL THE EXACT COLOR OF FINISH ON METAL.
SEE INDIVIDUAL SPECIFICATION SHEETS OR CONSULT FACTORY FOR ADDITIONAL INFORMATION.



STANDARD CORD / STEM / CANOPY FINISHES

FIXTURE COLOR	STANDARD CORD COLOR	STANDARD CANOPY / STEM COLOR
Matte White, Textured White	Matte White	Matte White
Gloss White	Matte White	Gloss White
Matte Black, Gloss Black, Textured Black	Matte Black	Matte Black
All Others	Matte Black	Same Color as Fixture
Custom Color	Contact Factory	Contact Factory

PAINT TIMES

TIER	COST	AVERAGE PAINT TIME*
Tier 1 - Standard Finishes	\$	⌚
Tier 2 - Typical Finishes	\$\$	⌚⌚
Custom Color	Contact Factory	Contact Factory

*CONTACT FACTORY FOR SPECIFIC PRODUCT LEAD TIMES

TIER 1 - STANDARD FINISHES



TIER 2 - TYPICAL FINISHES



CUSTOM COLOR FINISHES

CONTACT FACTORY

CC
Custom Color



*UNAVAILABLE FOR WET LOCATION

